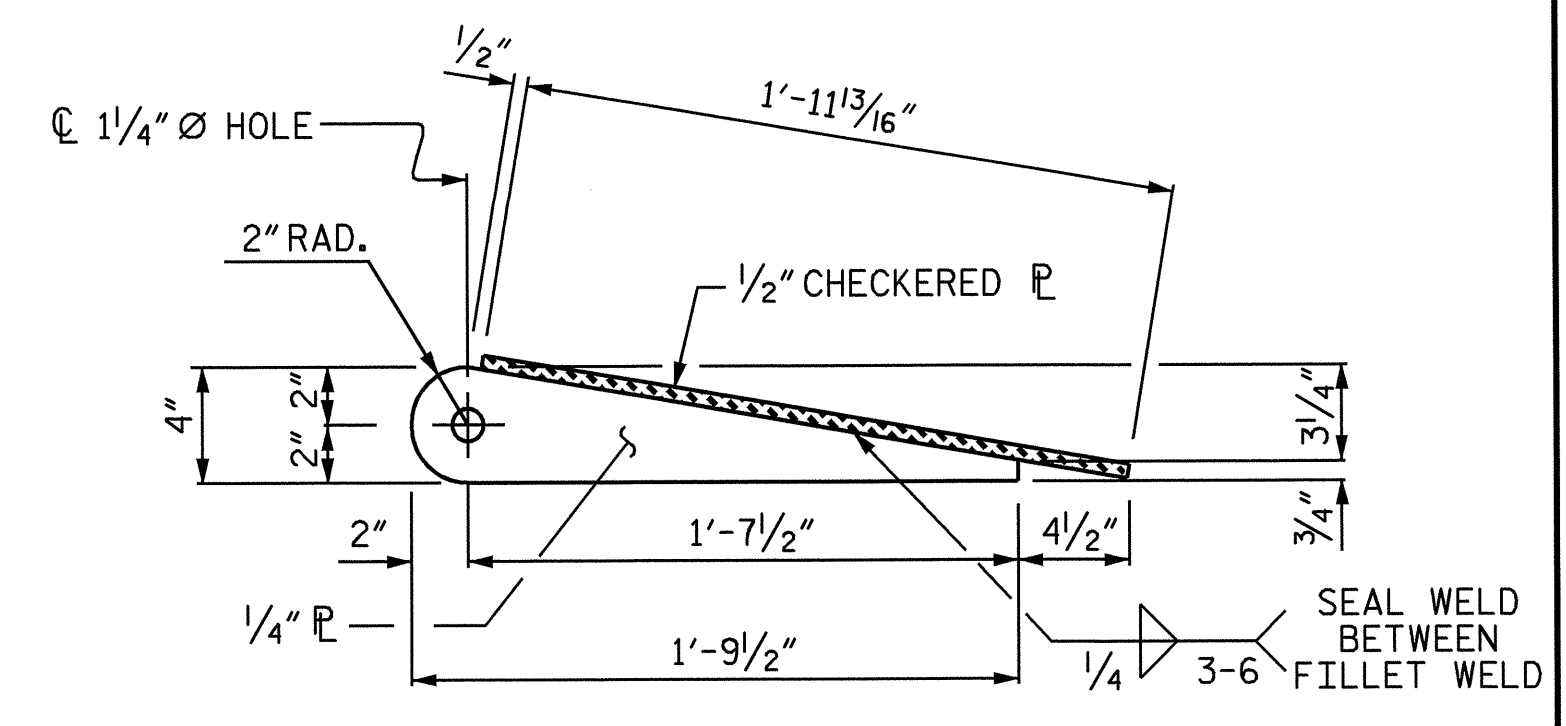
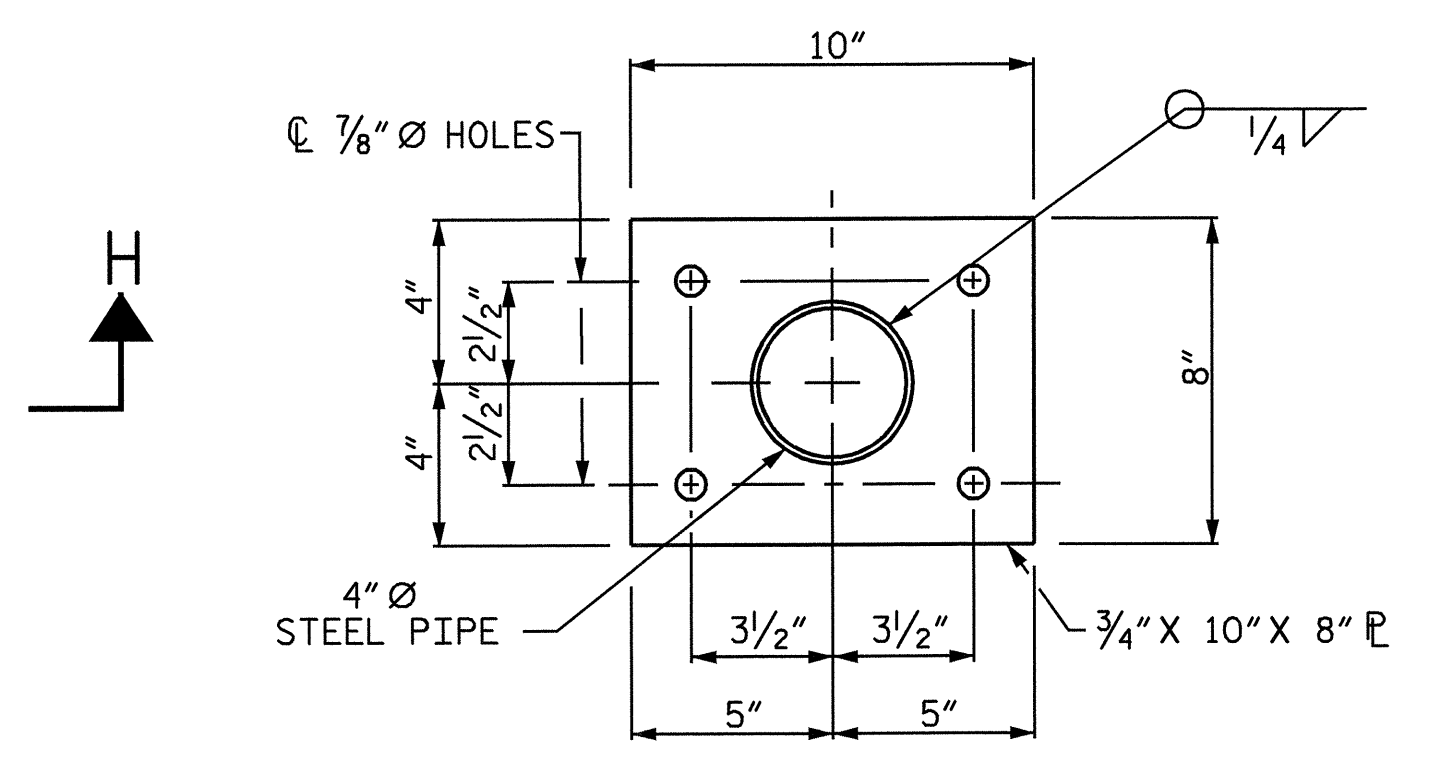


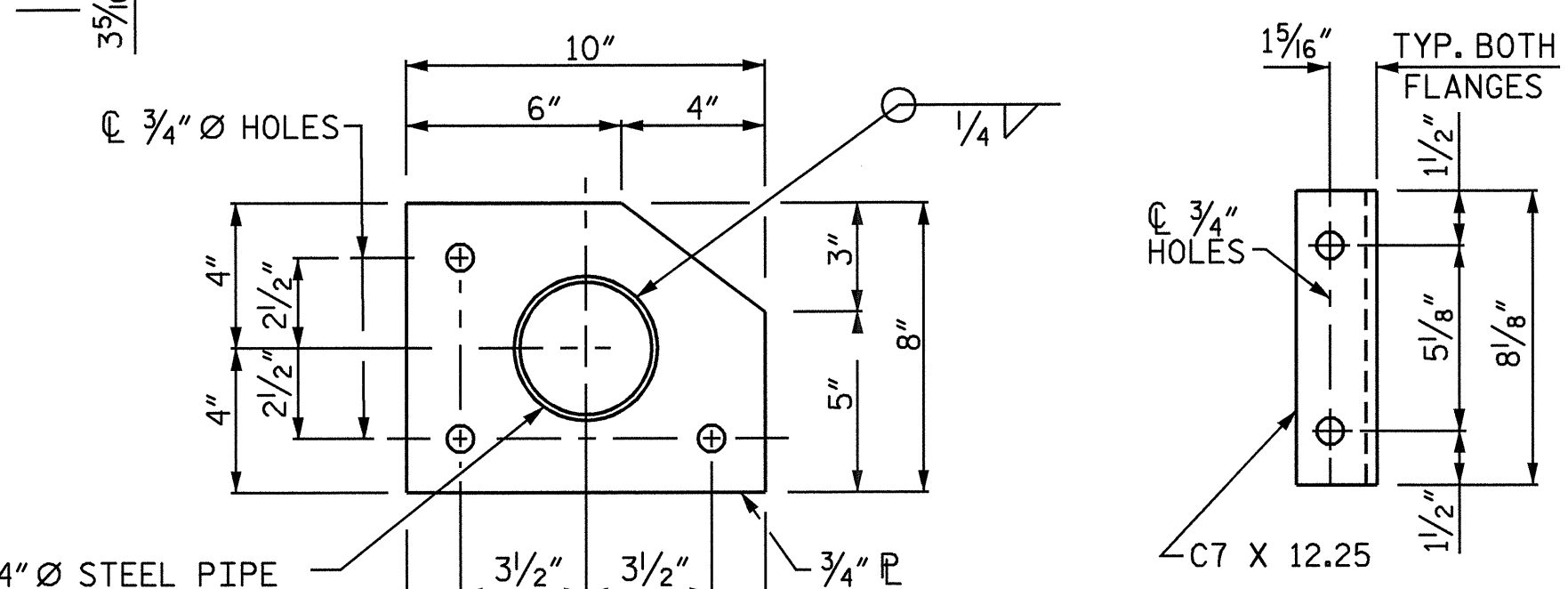
FLOOR PLATE AND RUBRAIL LAYOUT



SECTION H-H

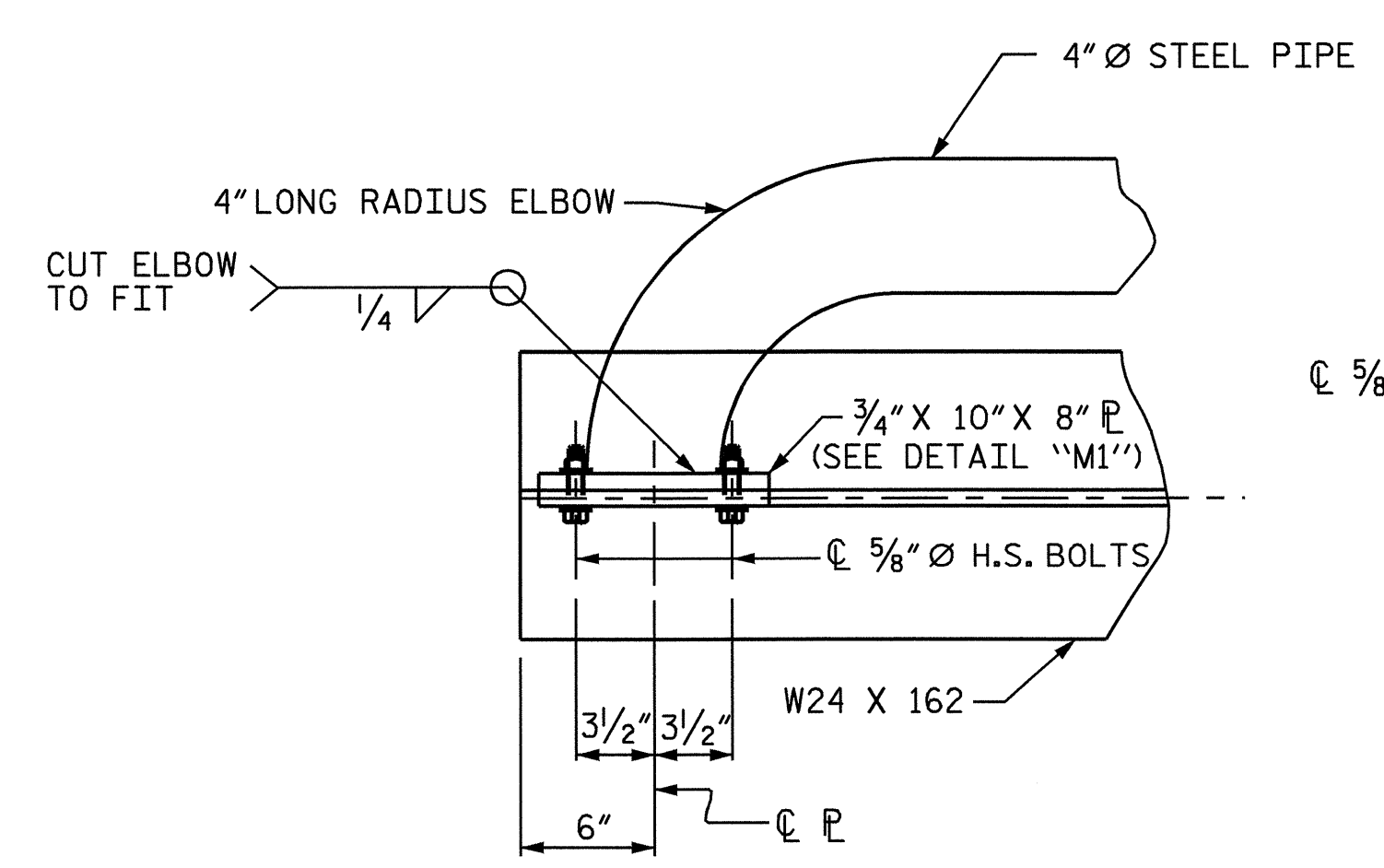


DETAIL "M1"



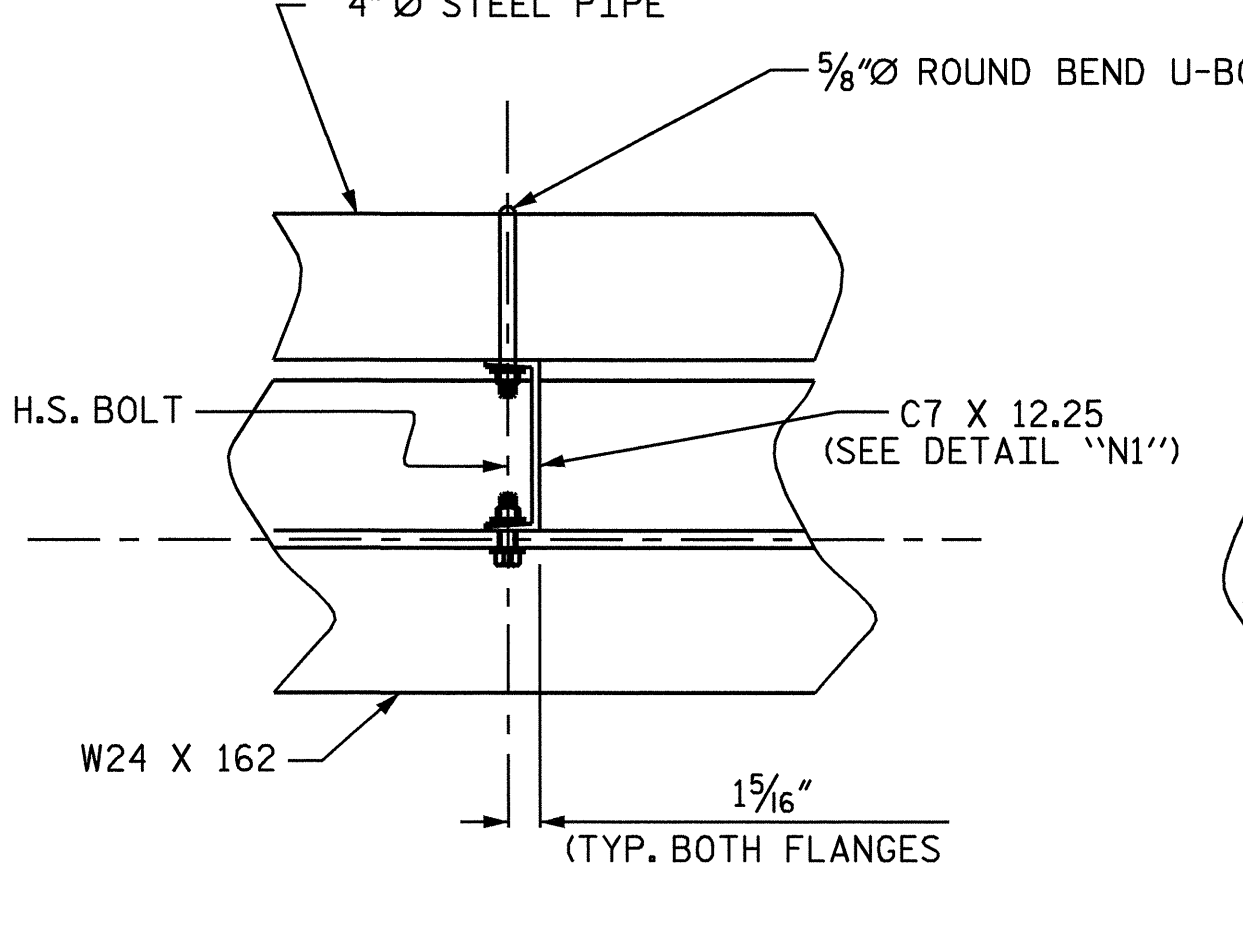
DETAIL "P1"

DETAIL "N1"



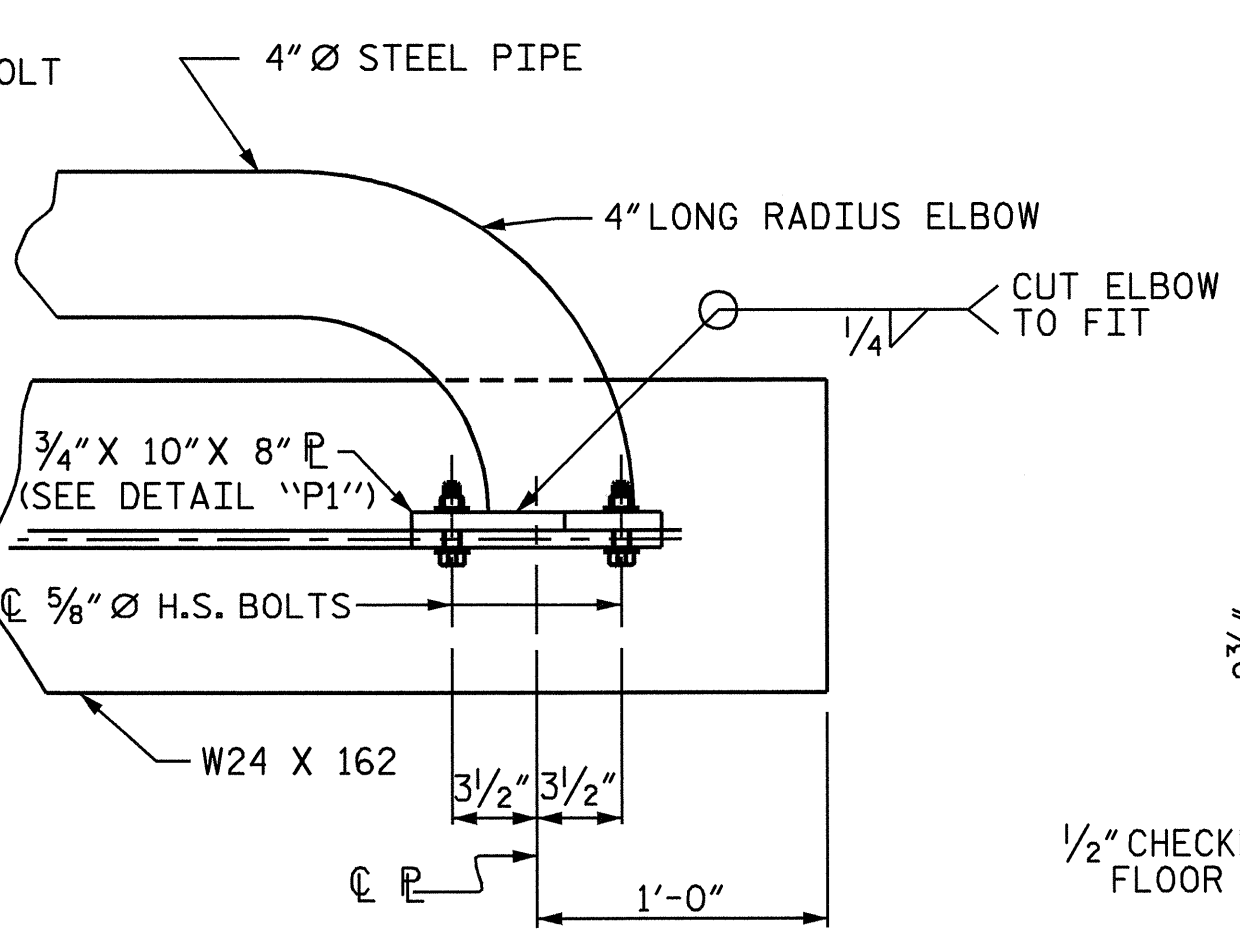
DETAIL "M"

(TOP FLANGE NOT SHOWN FOR CLARITY)



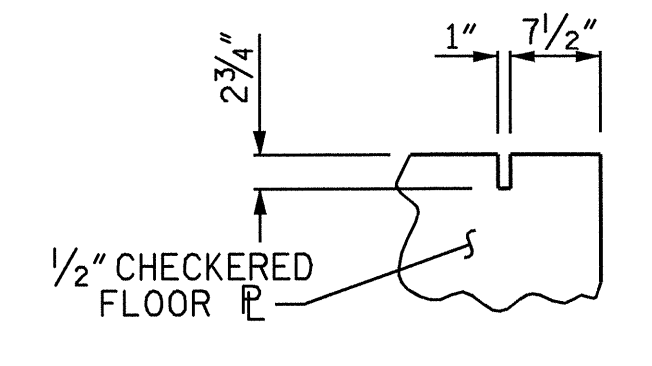
DETAIL "N"

(TOP FLANGE NOT SHOWN FOR CLARITY)



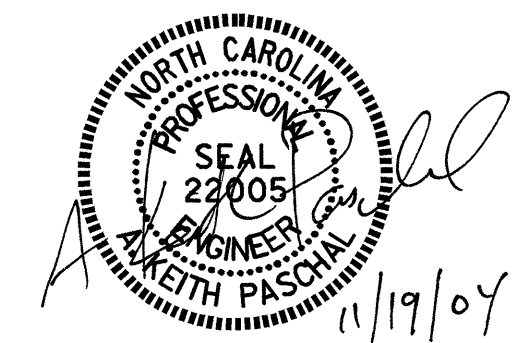
DETAIL "P"

(TOP FLANGE NOT SHOWN FOR CLARITY)



DETAIL "R"

(TYP. BOTH SIDES OF P)



PROJECT NO. F-4700  
CURRITUCK COUNTY  
 STATION: 10+00.00 -RP1-

SHEET 5 OF 8

STATE OF NORTH CAROLINA  
 DEPARTMENT OF TRANSPORTATION  
 RALEIGH

**CURRITUCK  
 FERRY RAMP**

REVISIONS						SHEET NO. S-15
NO.	BY:	DATE:	NO.	BY:	DATE:	
1			3			TOTAL SHEETS 56
2			4			

DRAWN BY : K. McCAULEY DATE : 9/13/04  
 CHECKED BY : O. PUIGCERVER DATE : 9/24/04