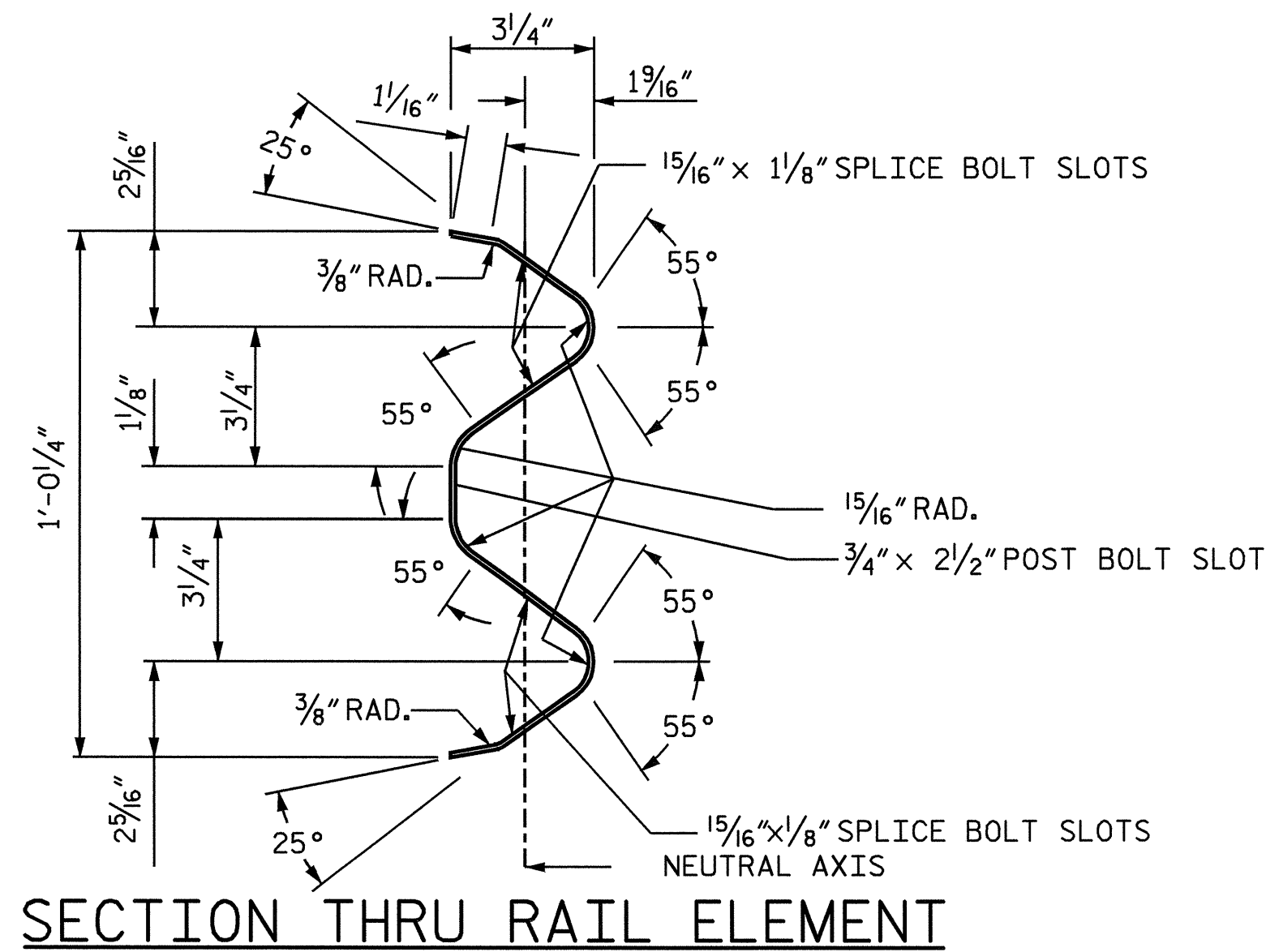


FRONT - SIDE - BACK

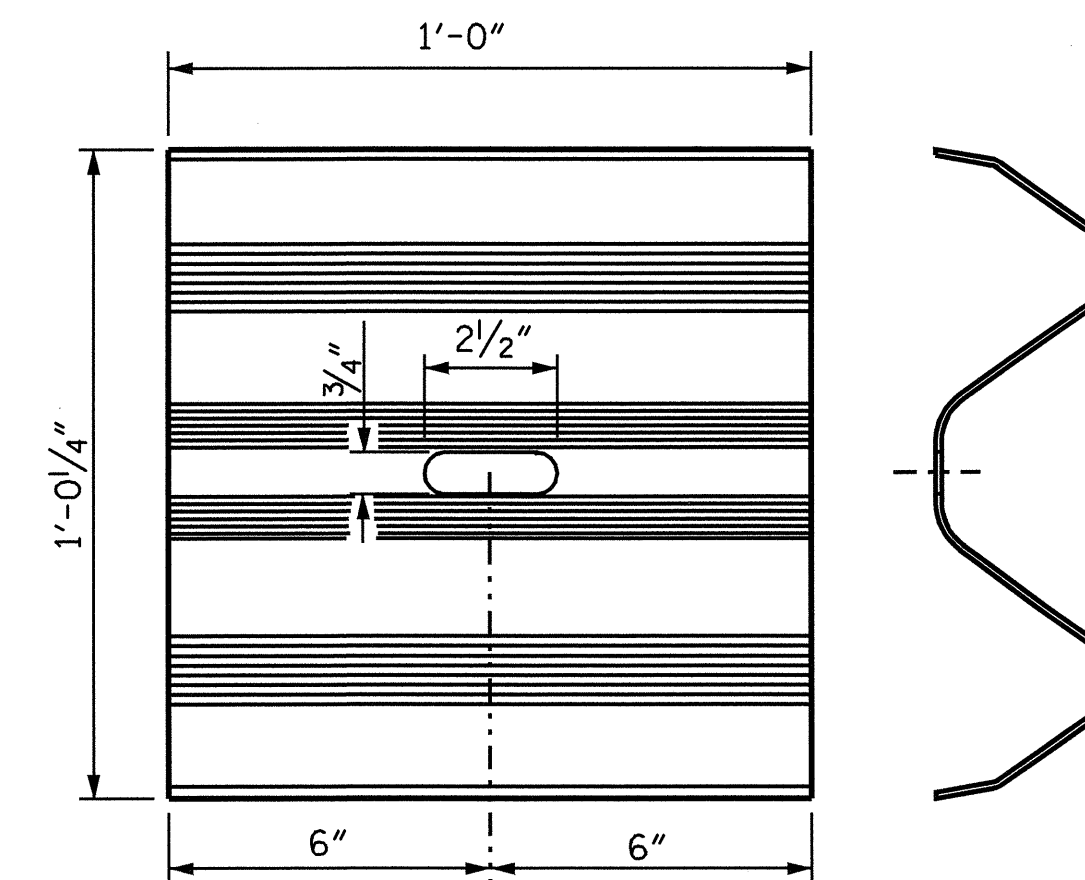
DETAIL OF "W" STEEL POST

SYSTEM PARTS
(STEEL POSTS)

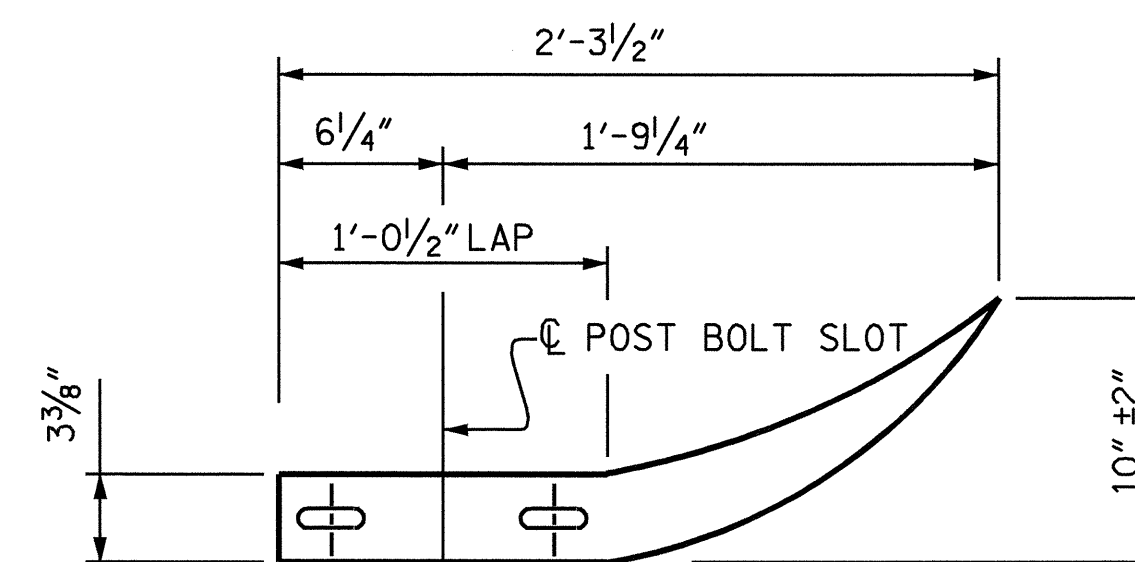
NOTE:
THE PAYMENT FOR THE POST SHALL BE INCLUDED
IN THE PAYMENT FOR STEEL BEAM GUARDRAIL.



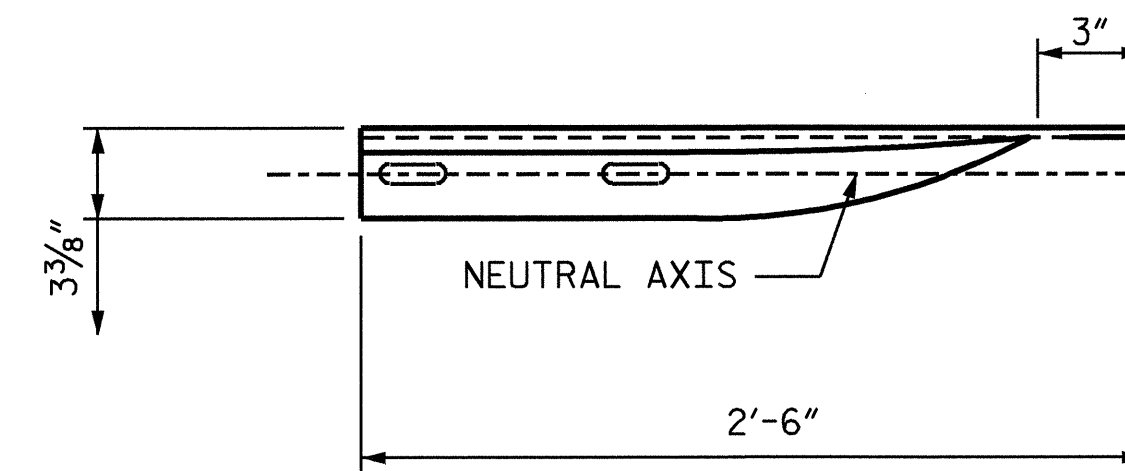
SECTION THRU RAIL ELEMENT



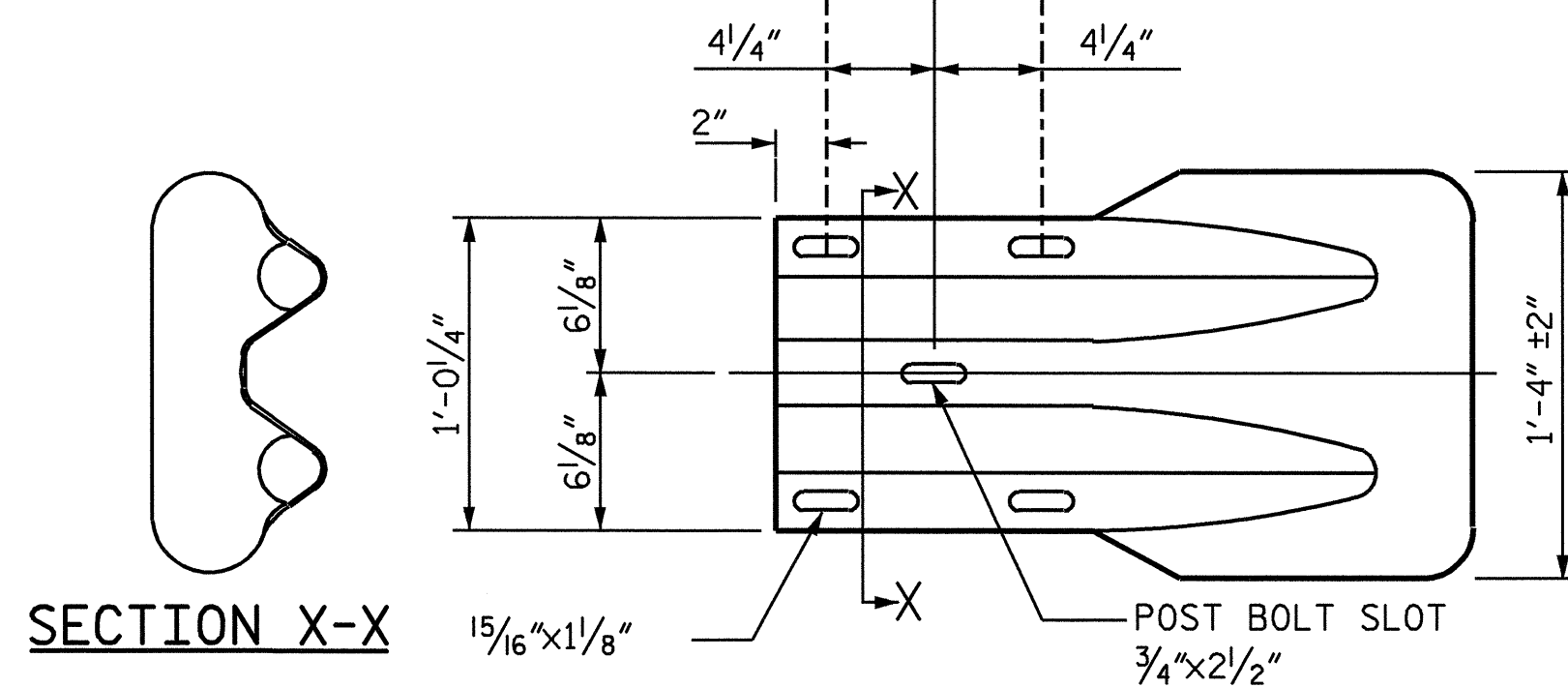
BACKUP PLATE



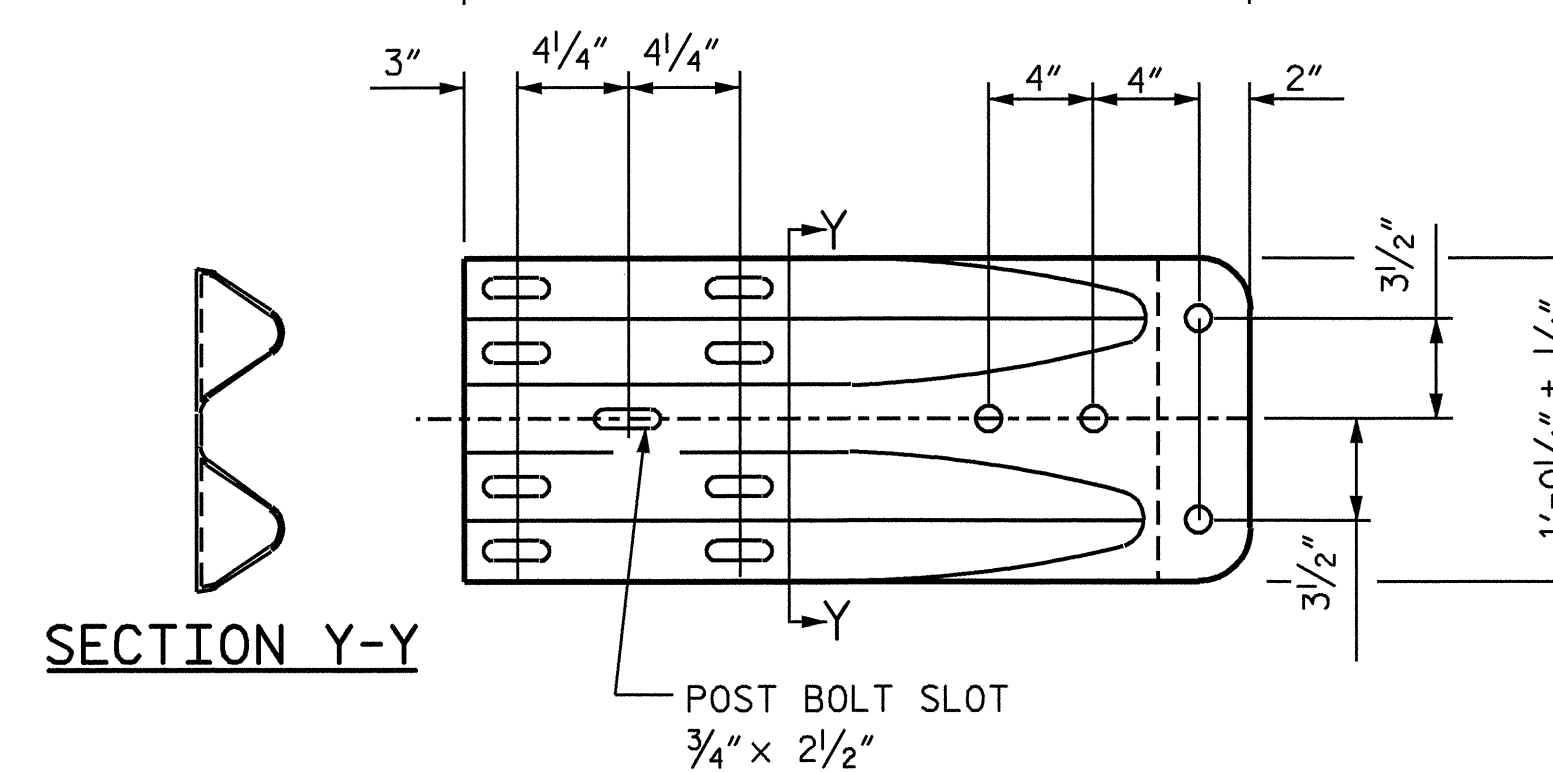
TERMINAL END SECTION
4 REQ'D @ END BENT



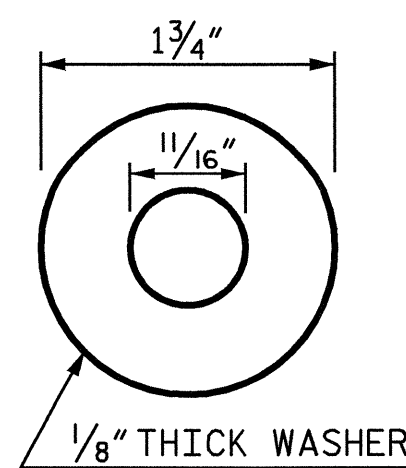
TYPICAL END SHOE
4 REQ'D @ PIVOT BENT



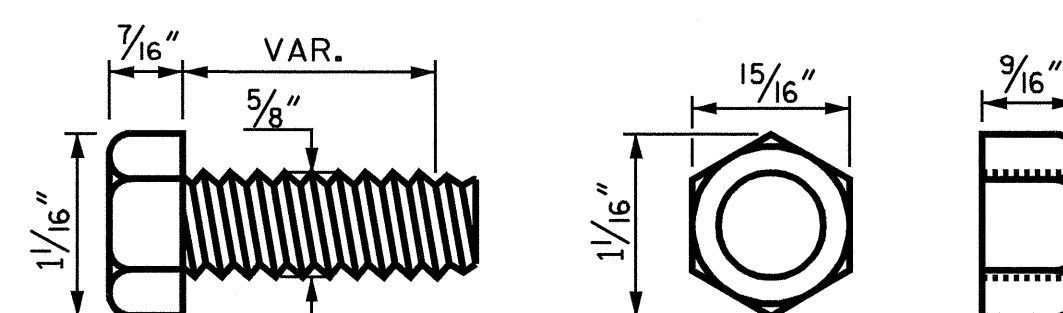
SECTION X-X



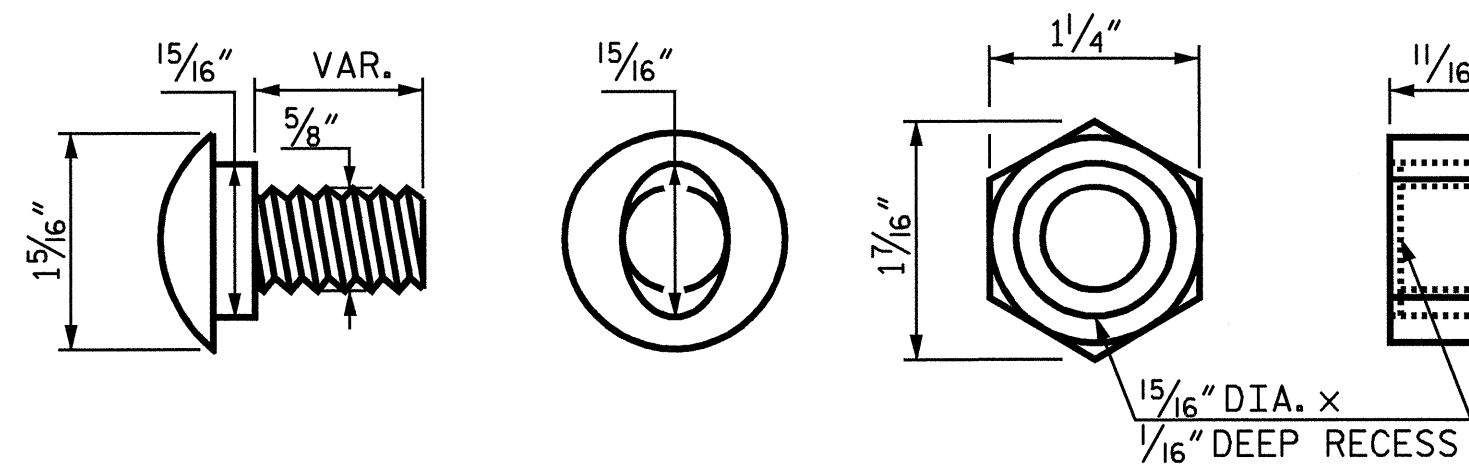
SECTION Y-Y



DETAIL OF STANDARD WASHER



DETAIL OF STANDARD HEX BOLT AND NUT



DETAIL OF BUTTON HEAD BOLT AND NUT

PROJECT NO. F-4700
CURRITUCK COUNTY
STATION: 10+00.00 -RP2-

SHEET 2 OF 2

STATE OF NORTH CAROLINA
DEPARTMENT OF TRANSPORTATION
RALEIGH
SUPERSTRUCTURE
GUARDRAIL DETAILS
(RAMP2)
KNOTTS ISLAND
FERRY DOCK

REVISIONS						SHEET NO.	
NO.	BY:	DATE:	NO.	BY:	DATE:	S-37	
1			3			TOTAL	56
2			4			SHEETS	56

DRAWN BY : K. McCAULEY DATE : 9/20/04
CHECKED BY : O. PUIGSERVER DATE : 9/24/04