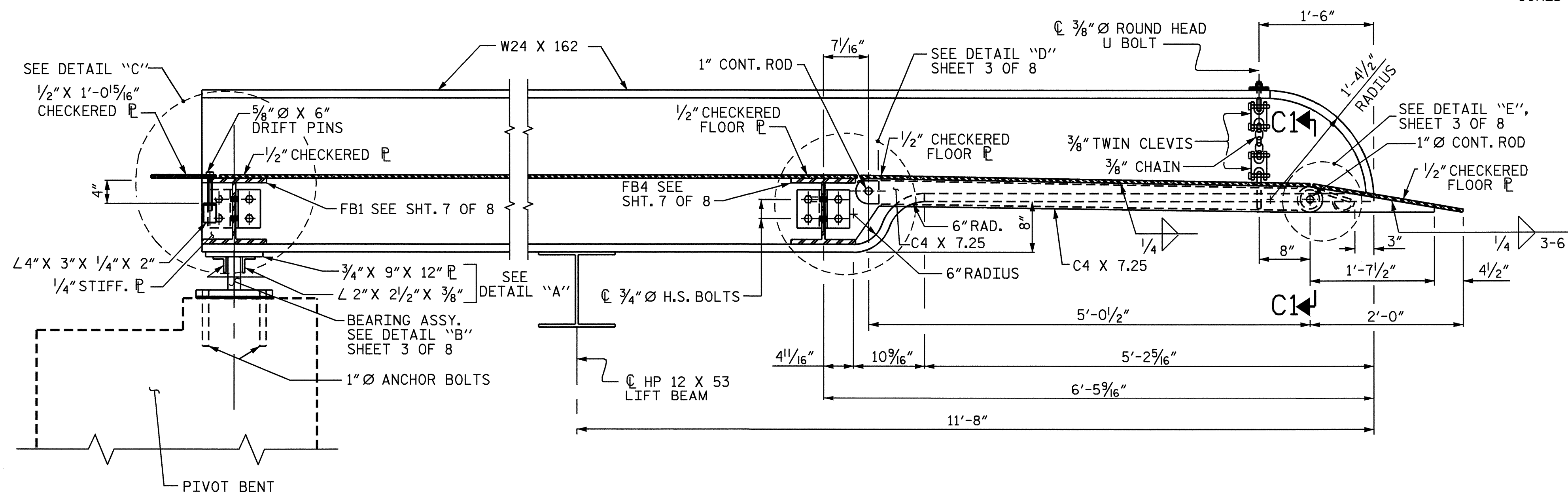
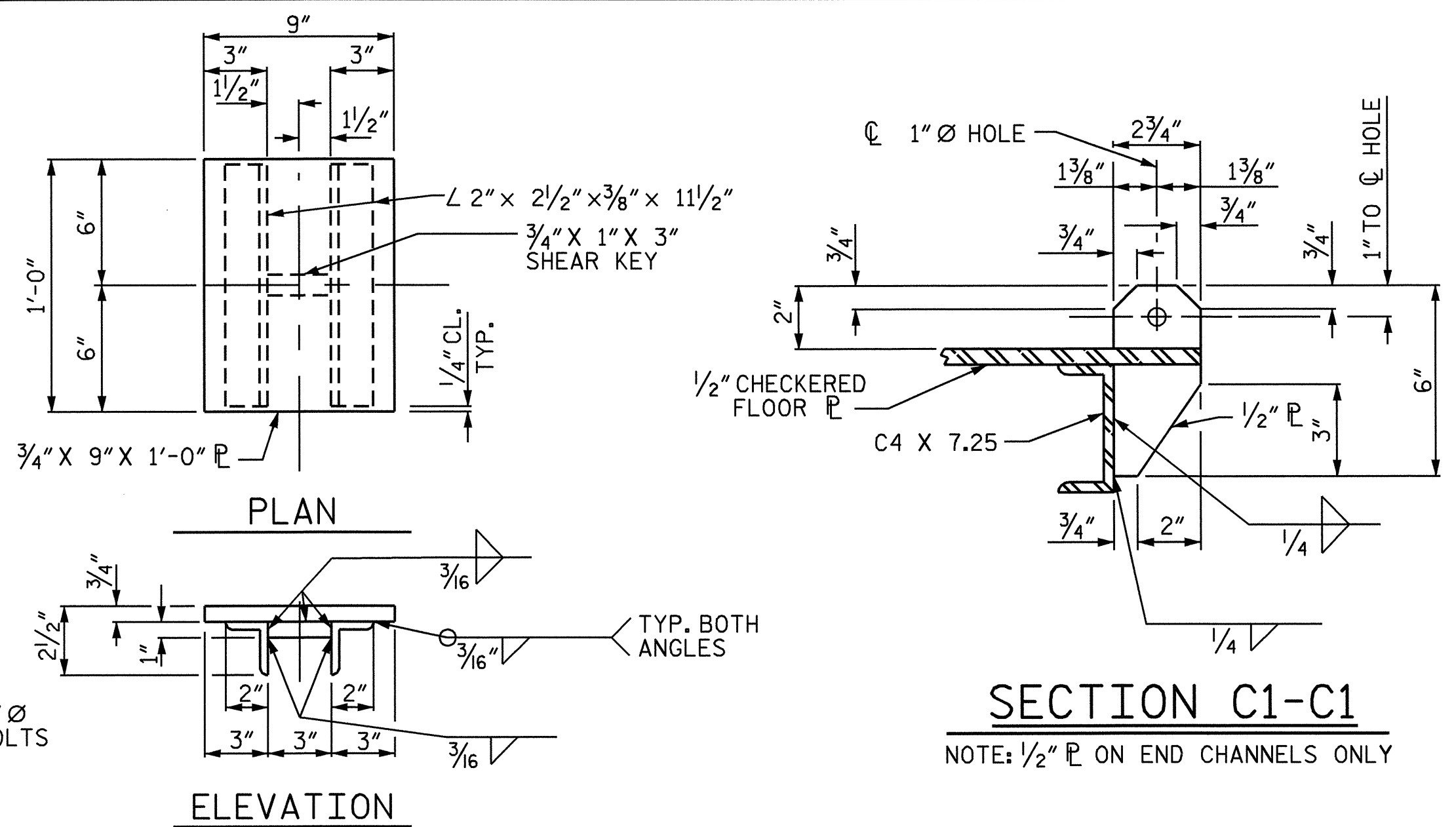


SECTION A-A



VIEW B-B

VIEW C-C



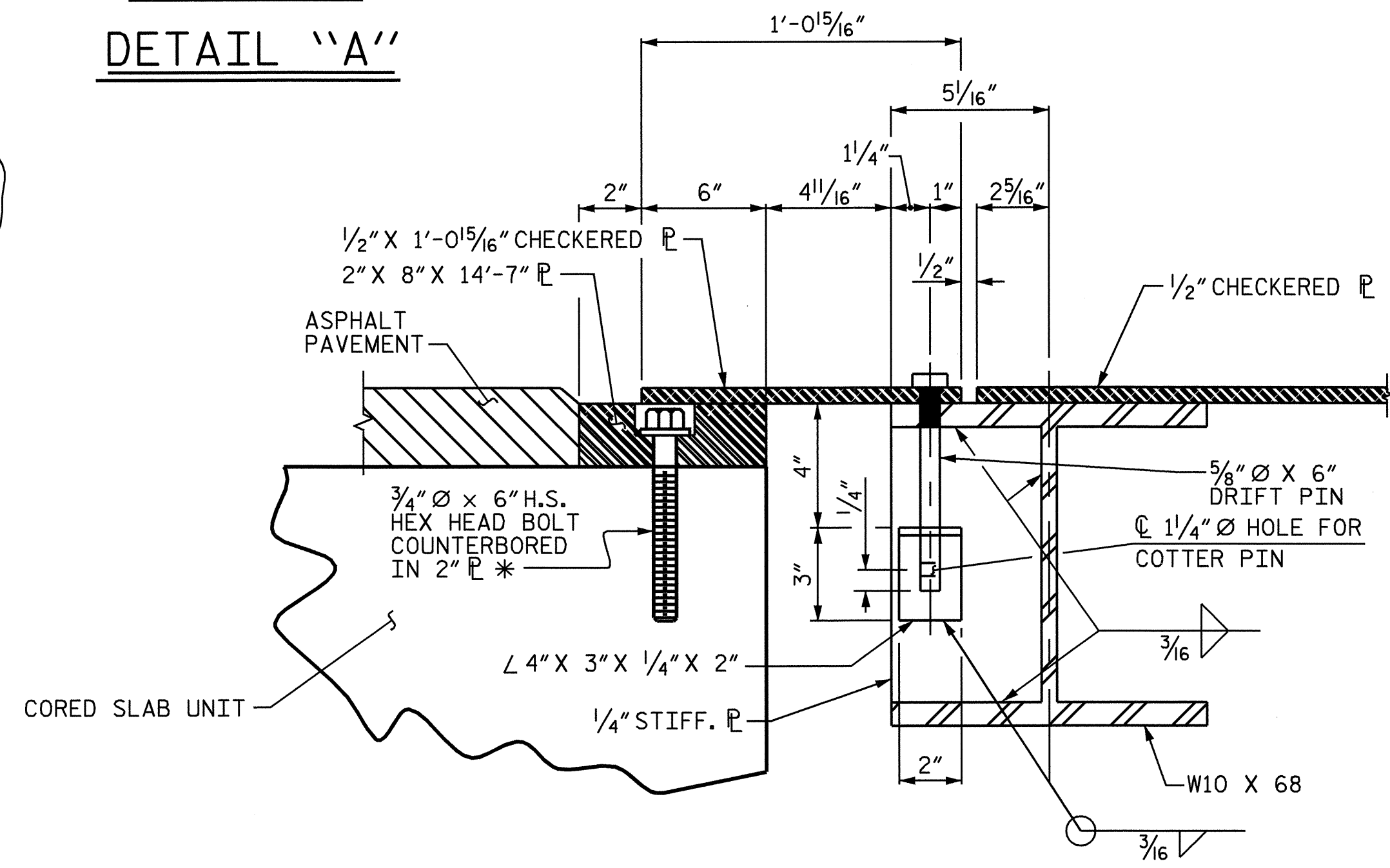
PLAN

ELEVATION

DETAIL "A"

SECTION C1-C1

NOTE: 1/2" P ON END CHANNELS ONLY



DETAIL "C"

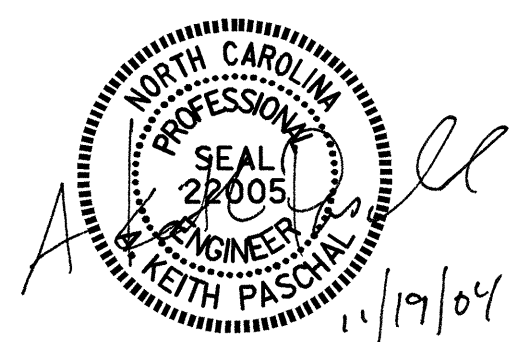
\* FOR ADHESIVELY ANCHORED HIGH STRENGTH HEX HEAD BOLTS, SEE SPECIAL PROVISIONS FOR "ADHESIVELY ANCHORED BOLTS AND DOWELS" NO PULL OUT TEST WILL BE REQUIRED.

PROJECT NO. F-4700  
 CURRITUCK COUNTY  
 STATION: 10+00.00 -RP2-

SHEET 2 OF 8

STATE OF NORTH CAROLINA  
 DEPARTMENT OF TRANSPORTATION  
 RALEIGH

KNOTTS ISLAND  
 FERRY RAMP



DRAWN BY: K. MCCAULEY DATE: 9/13/04  
 CHECKED BY: O. PUIGSERVER DATE: 9/24/04

16-N0V-2004 11:12  
 W:\squadp\F4700\kmccauley\Str. 2\Microstation\F4700\_sd.FR.02.dgn  
 kmccauley

REVISIONS						SHEET NO.	
NO.	BY:	DATE:	NO.	BY:	DATE:	S-39	
1			3			TOTAL	56
2			4			SHEETS	