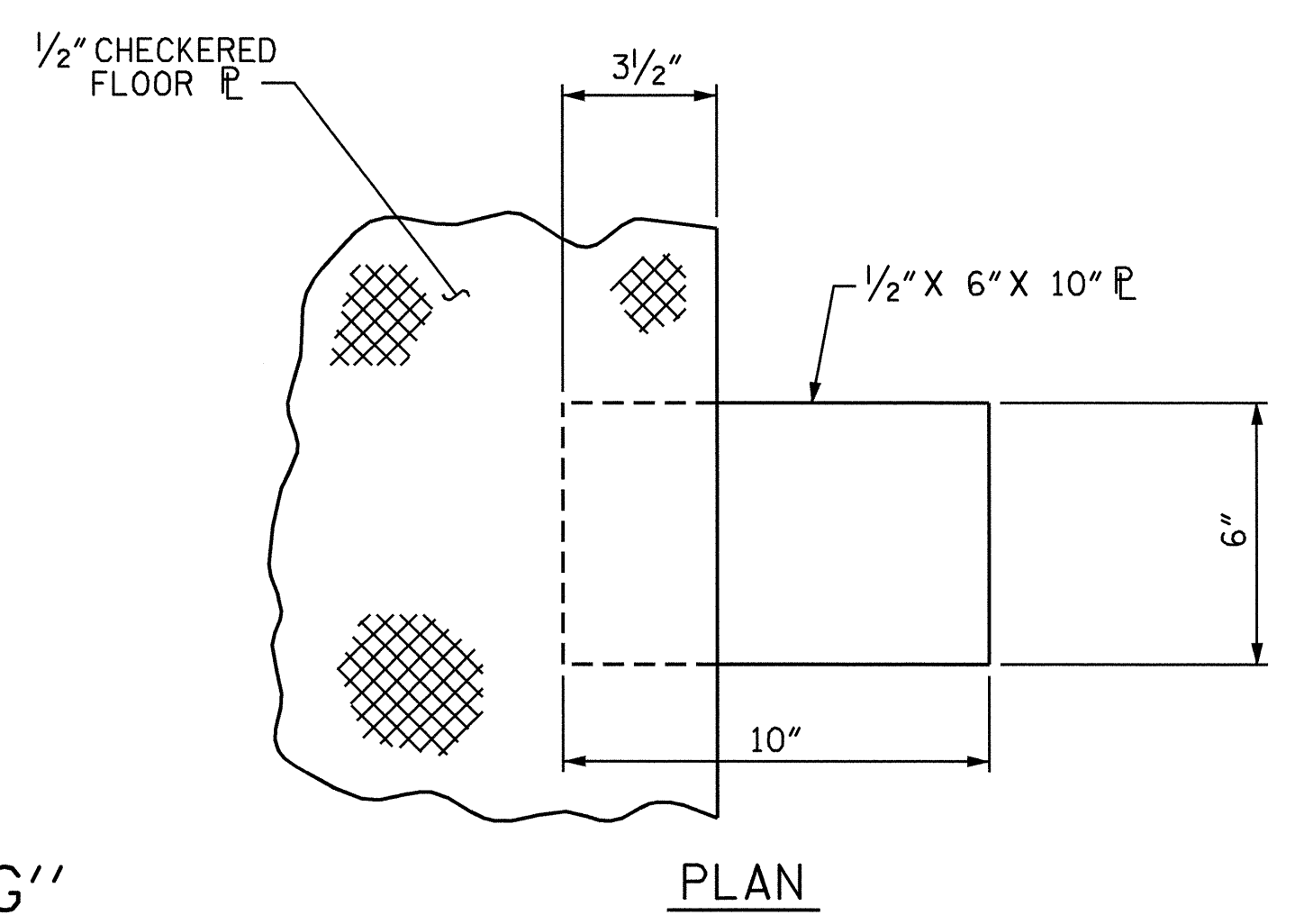
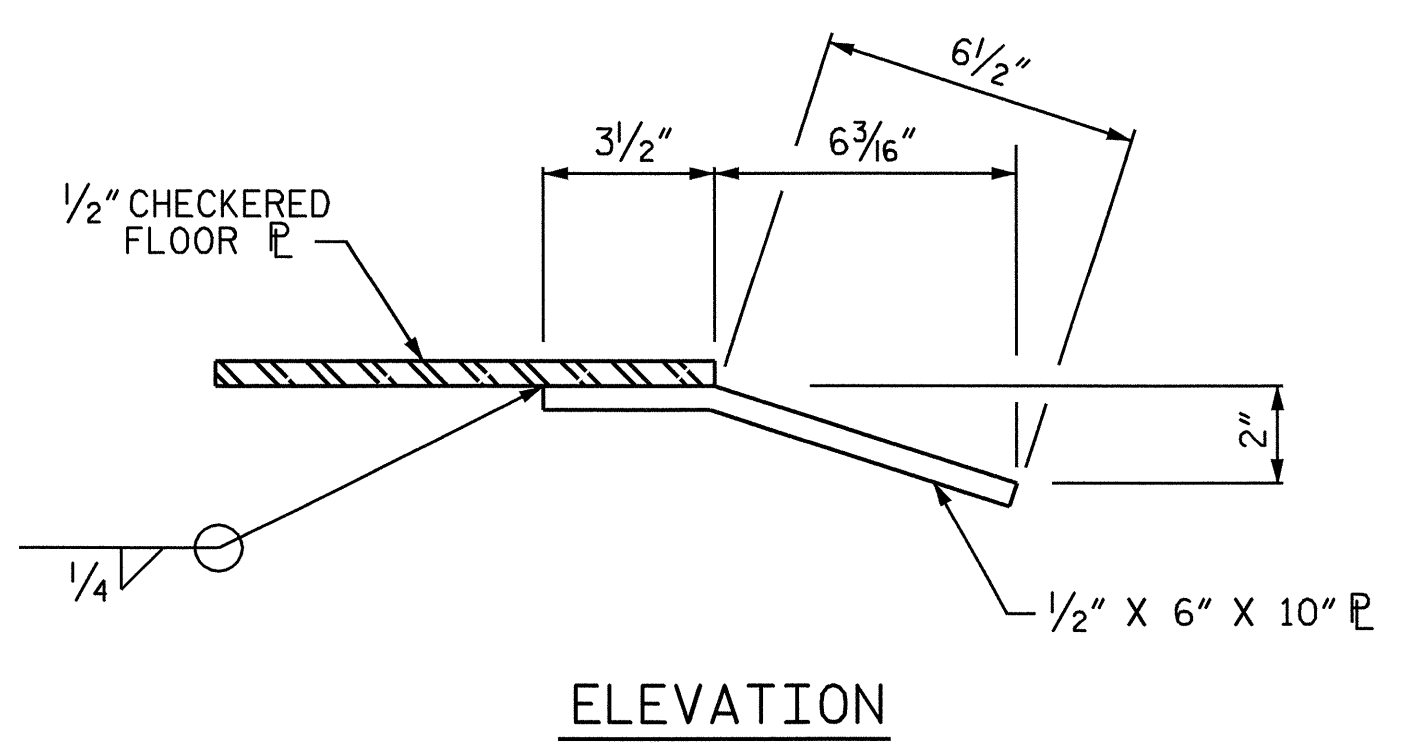


DETAIL "B"
(BEARING ASSEMBLY)



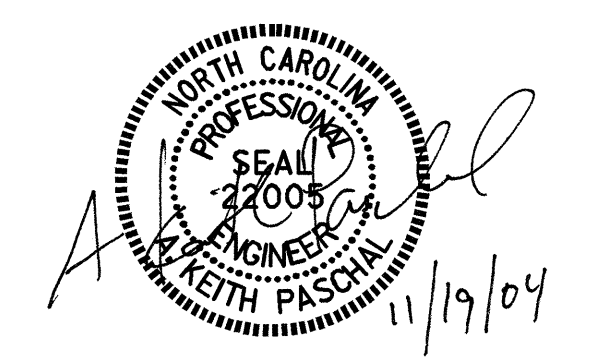
DETAIL "G"

PROJECT NO. F-4700
CURRITUCK COUNTY
 STATION: 10+00.00 -RP2-

SHEET 3 OF 8

STATE OF NORTH CAROLINA
 DEPARTMENT OF TRANSPORTATION
 RALEIGH

**KNOTTS ISLAND
 FERRY RAMP**



DRAWN BY: K. McCAULEY DATE: 9/13/04
 CHECKED BY: O. PUIGCERVER DATE: 9/24/04

REVISIONS						SHEET NO. S-40
NO.	BY:	DATE:	NO.	BY:	DATE:	
1			3			TOTAL SHEETS 56
2			4			