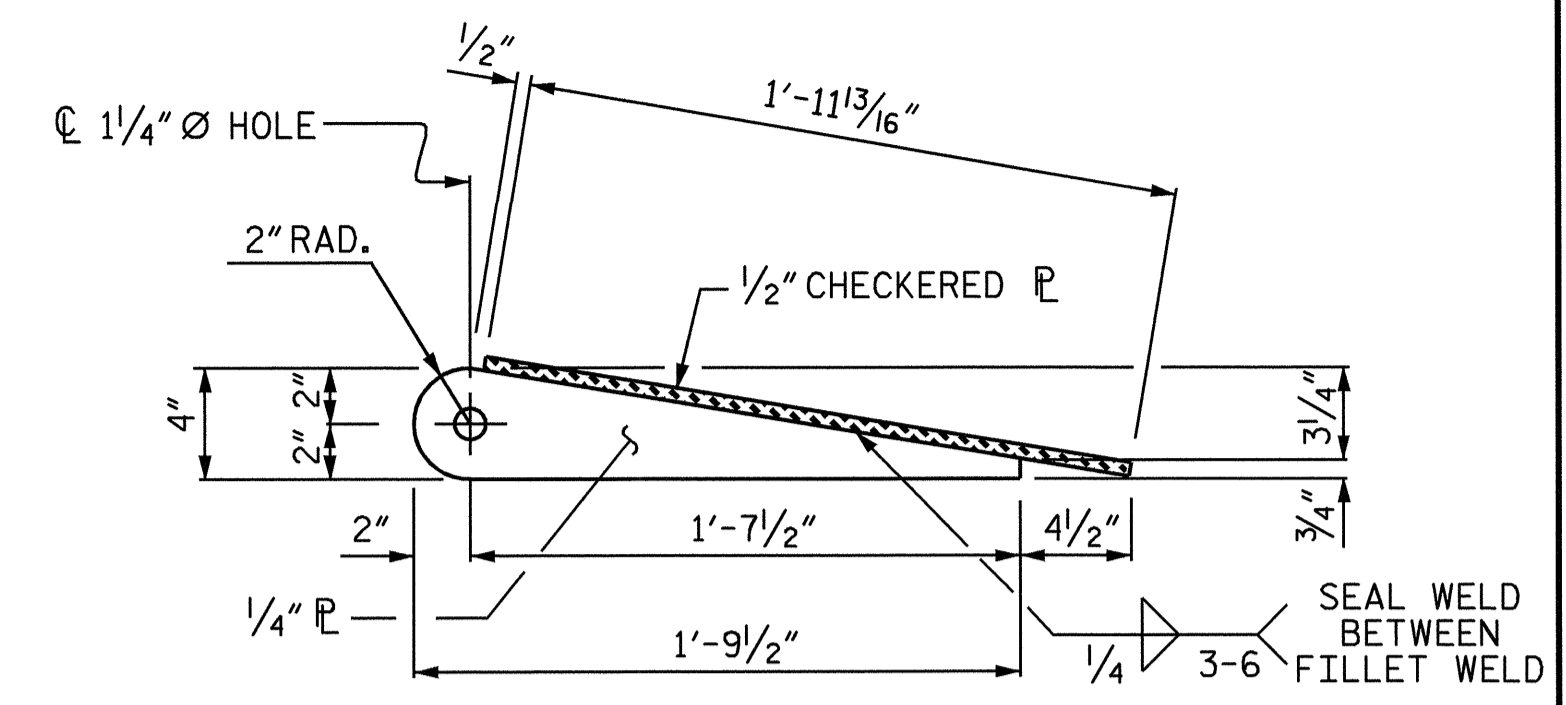
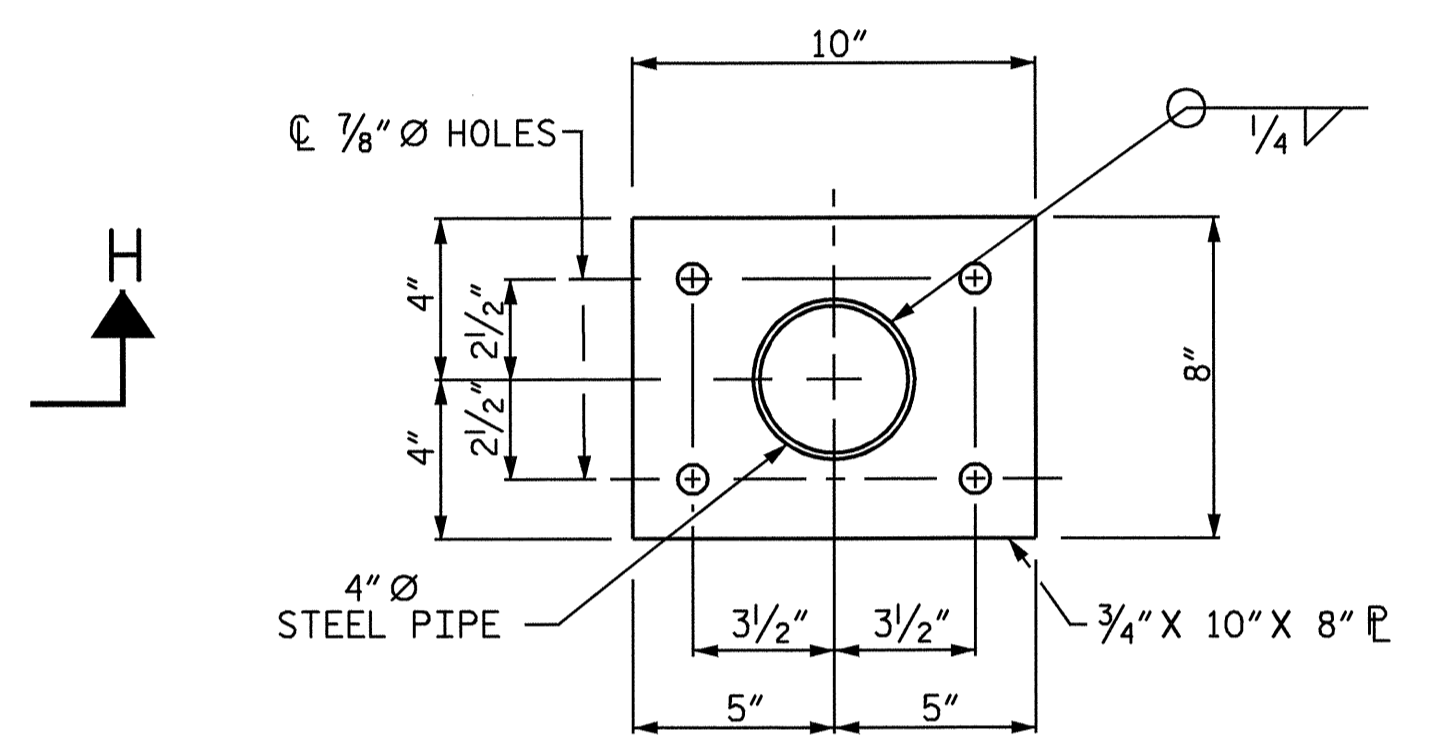


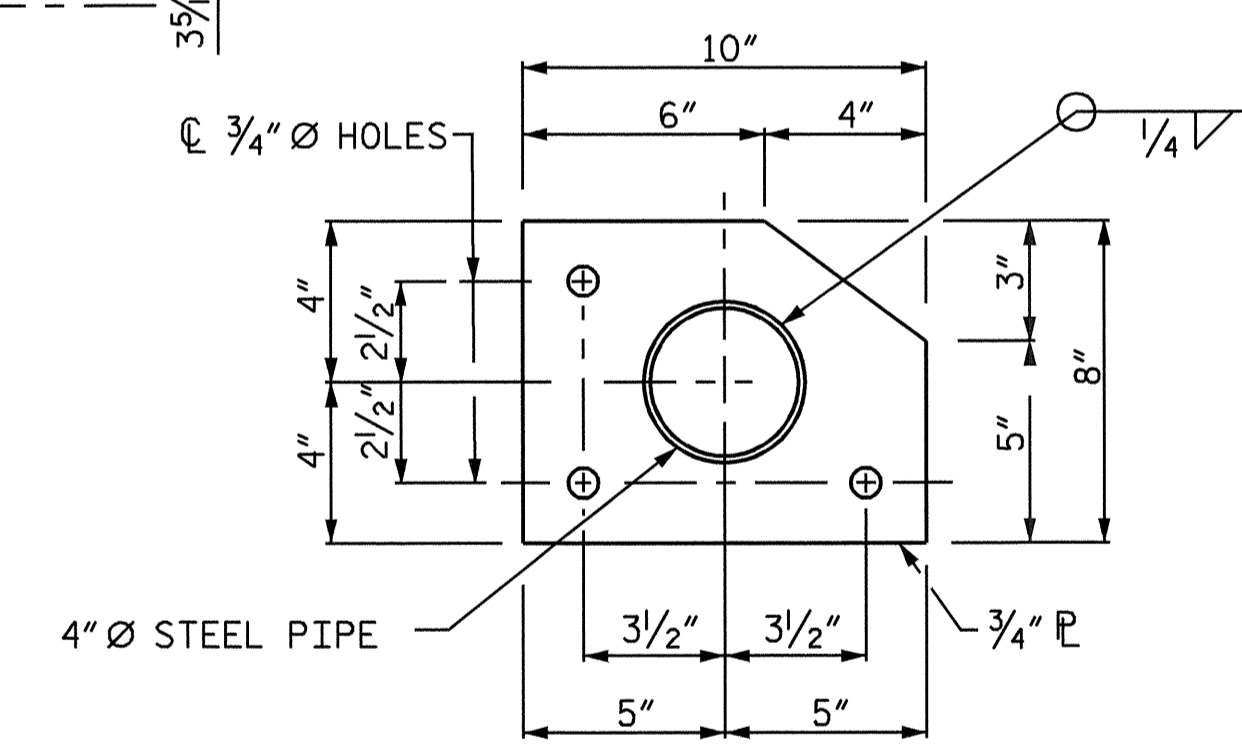
FLOOR PLATE AND RUBRAIL LAYOUT



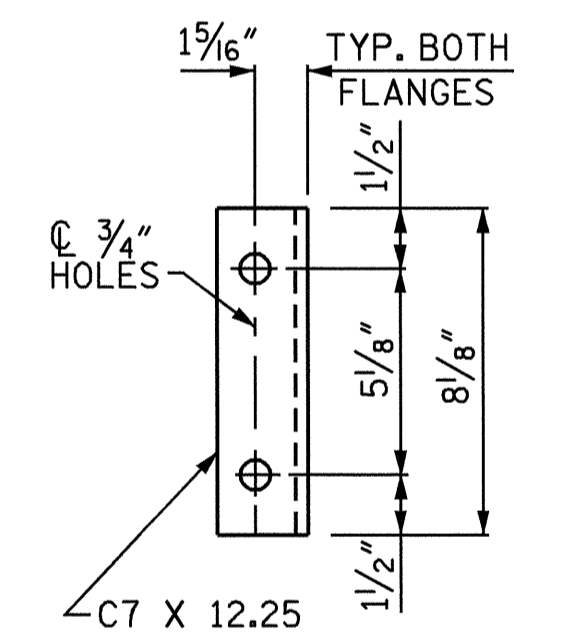
SECTION H-H



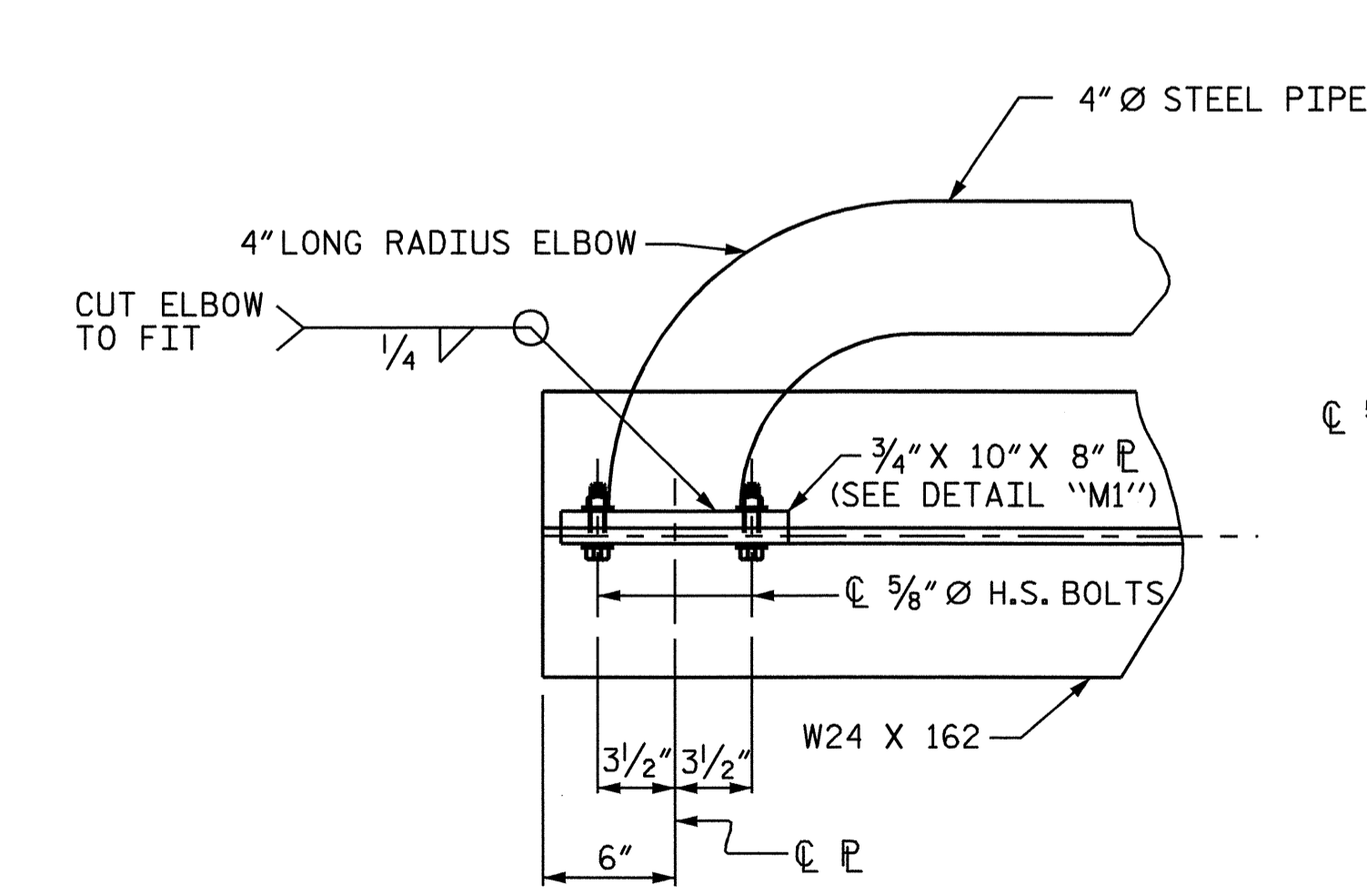
DETAIL "M1"



DETAIL "P1"

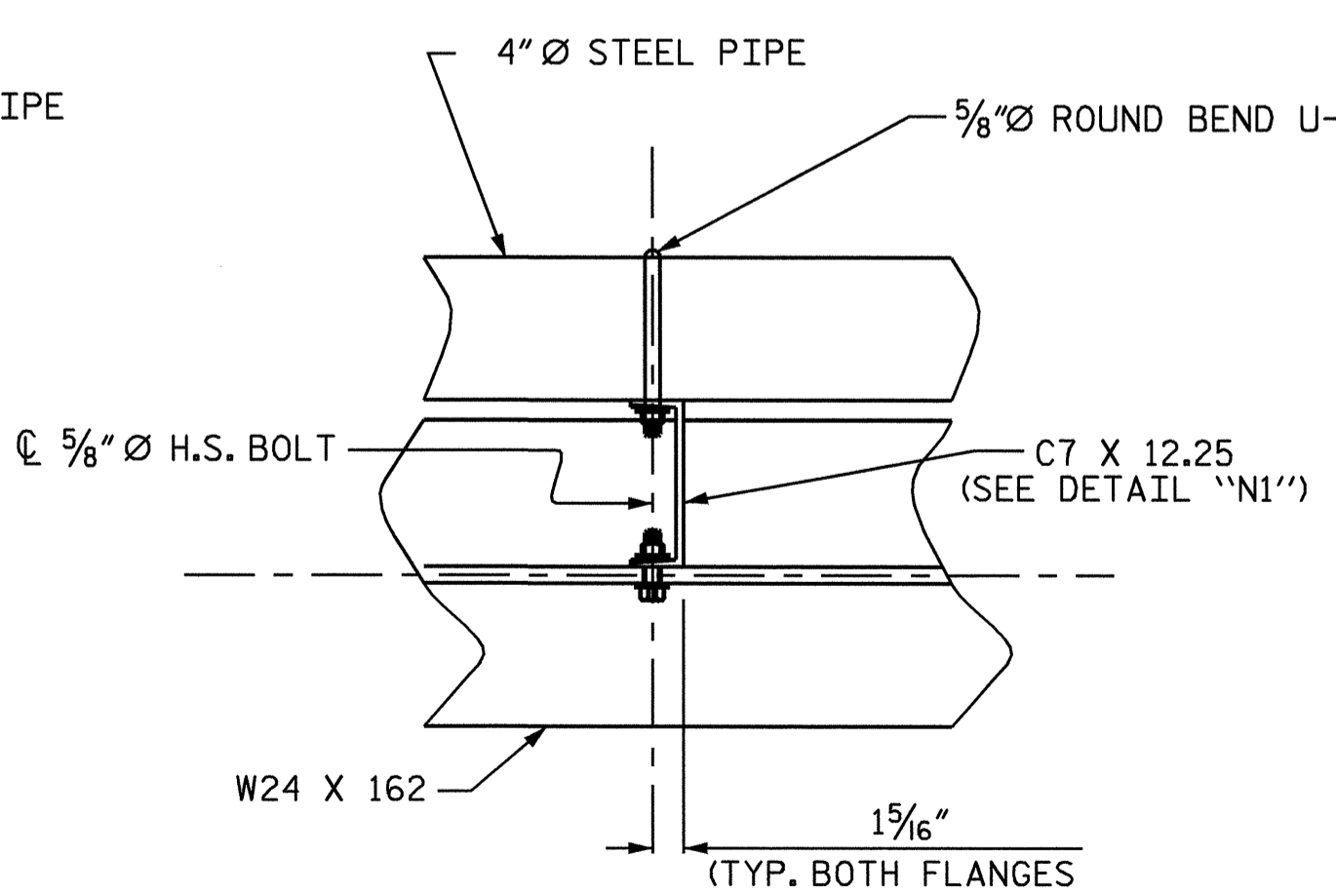


DETAIL "N1"



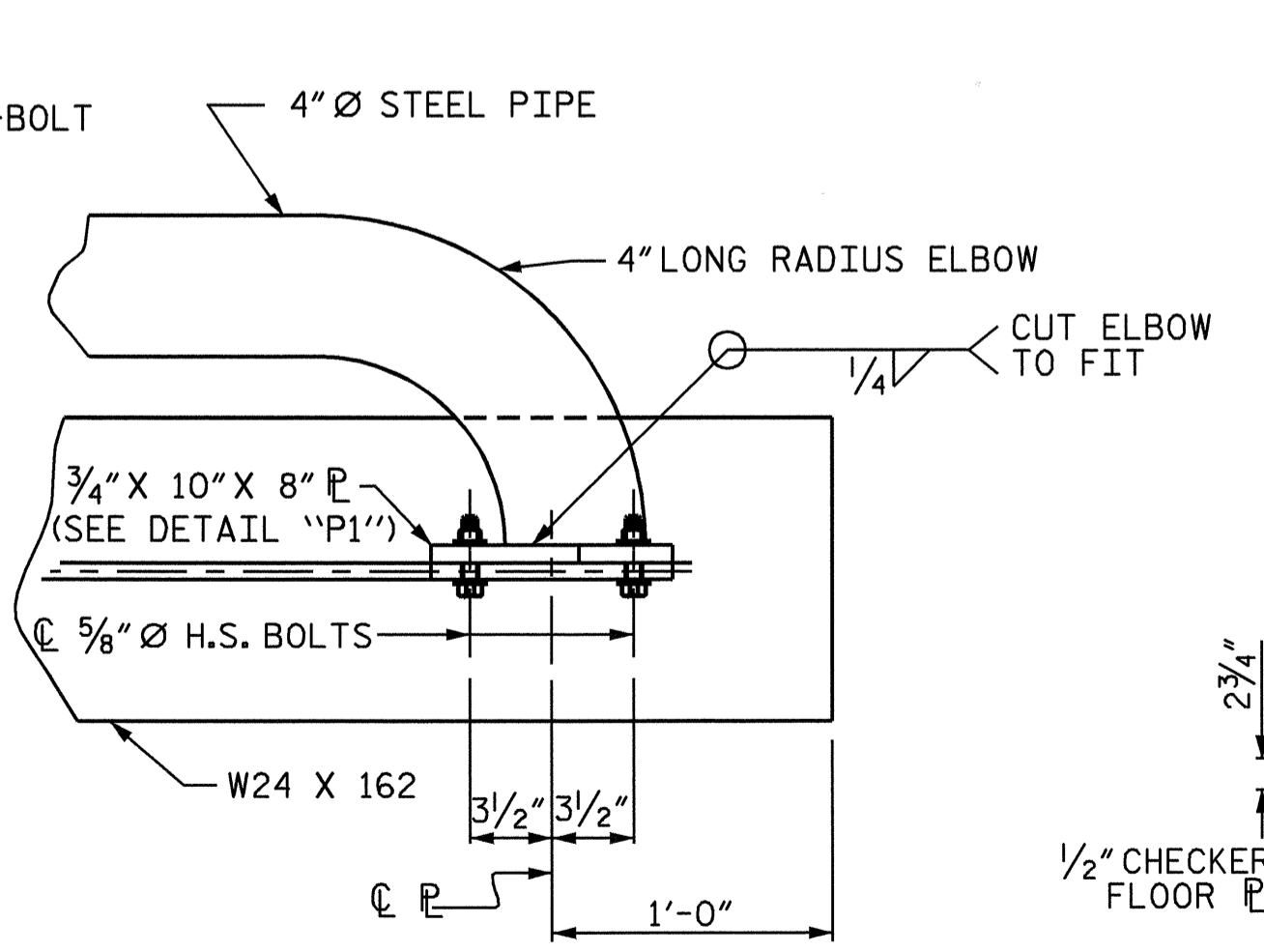
DETAIL "M"

(TOP FLANGE NOT SHOWN FOR CLARITY)



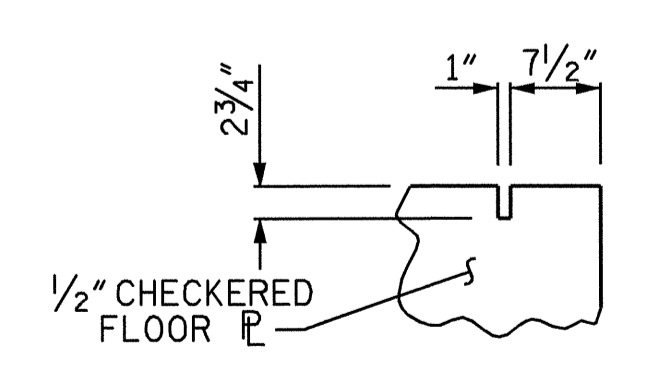
DETAIL "N"

(TOP FLANGE NOT SHOWN FOR CLARITY)



DETAIL "P"

(TOP FLANGE NOT SHOWN FOR CLARITY)



DETAIL "R"

(TYP. BOTH SIDES OF P)



PROJECT NO. F-4700
 CURRITUCK COUNTY
 STATION: 10+00.00 -RP2-

SHEET 5 OF 8
 STATE OF NORTH CAROLINA
 DEPARTMENT OF TRANSPORTATION
 RALEIGH
 KNOTTS ISLAND
 FERRY RAMP

| REVISIONS | | | | | | SHEET NO. S-42 |
|-----------|-----|-------|-----|-----|-------|--------------------|
| NO. | BY: | DATE: | NO. | BY: | DATE: | |
| 1 | | | 3 | | | TOTAL SHEETS 56 |
| 2 | | | 4 | | | |

DRAWN BY: K. MCCAULEY DATE: 9/13/04
 CHECKED BY: O. PUIGCERVER DATE: 9/24/04