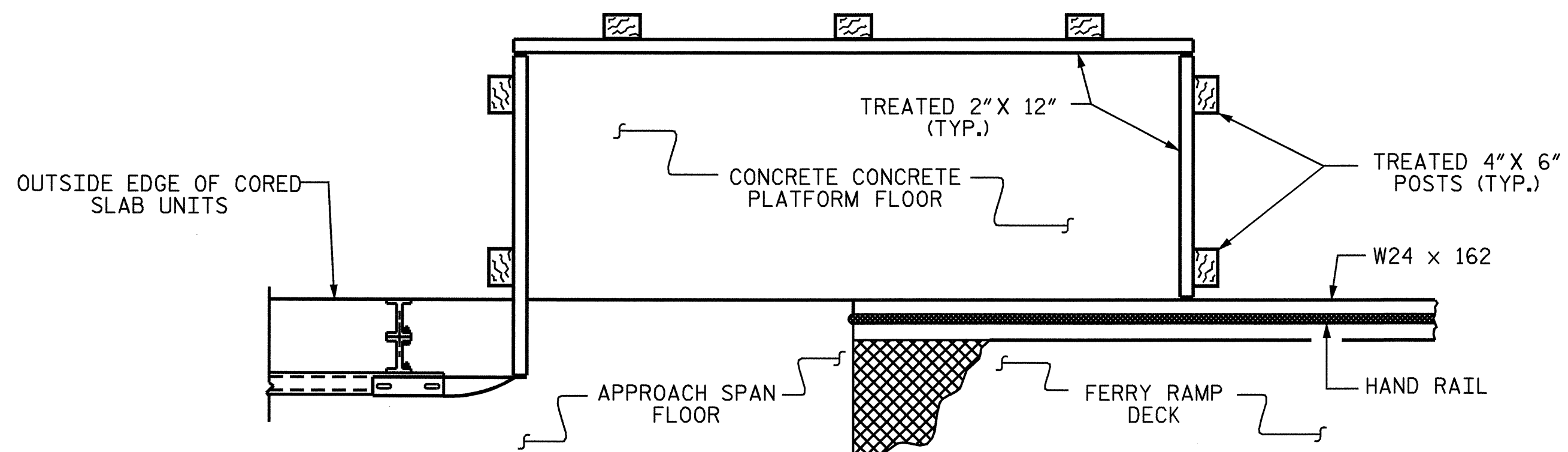
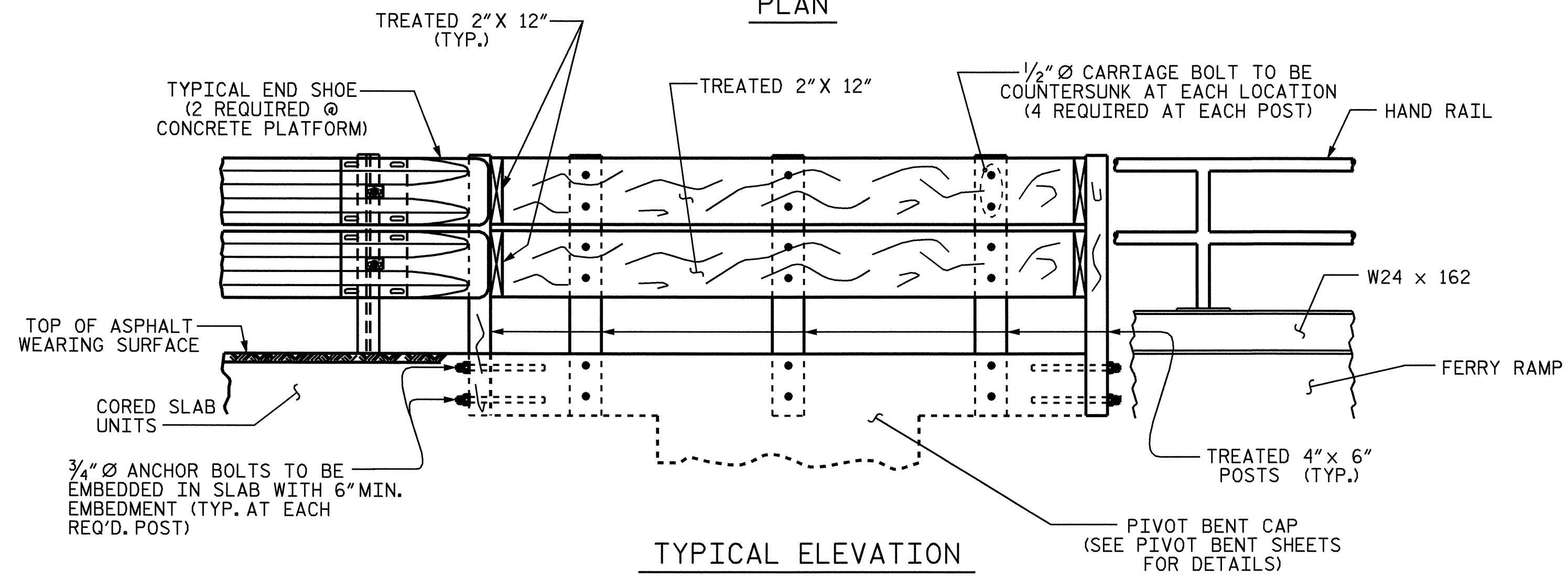


NOTES FOR CONCRETE PLATFORM
 FOR TREATED STRUCTURAL TIMBER, SEE SPECIAL PROVISIONS.
 SEE GENERAL DRAWING FOR LOCATION OF CONCRETE PLATFORMS.

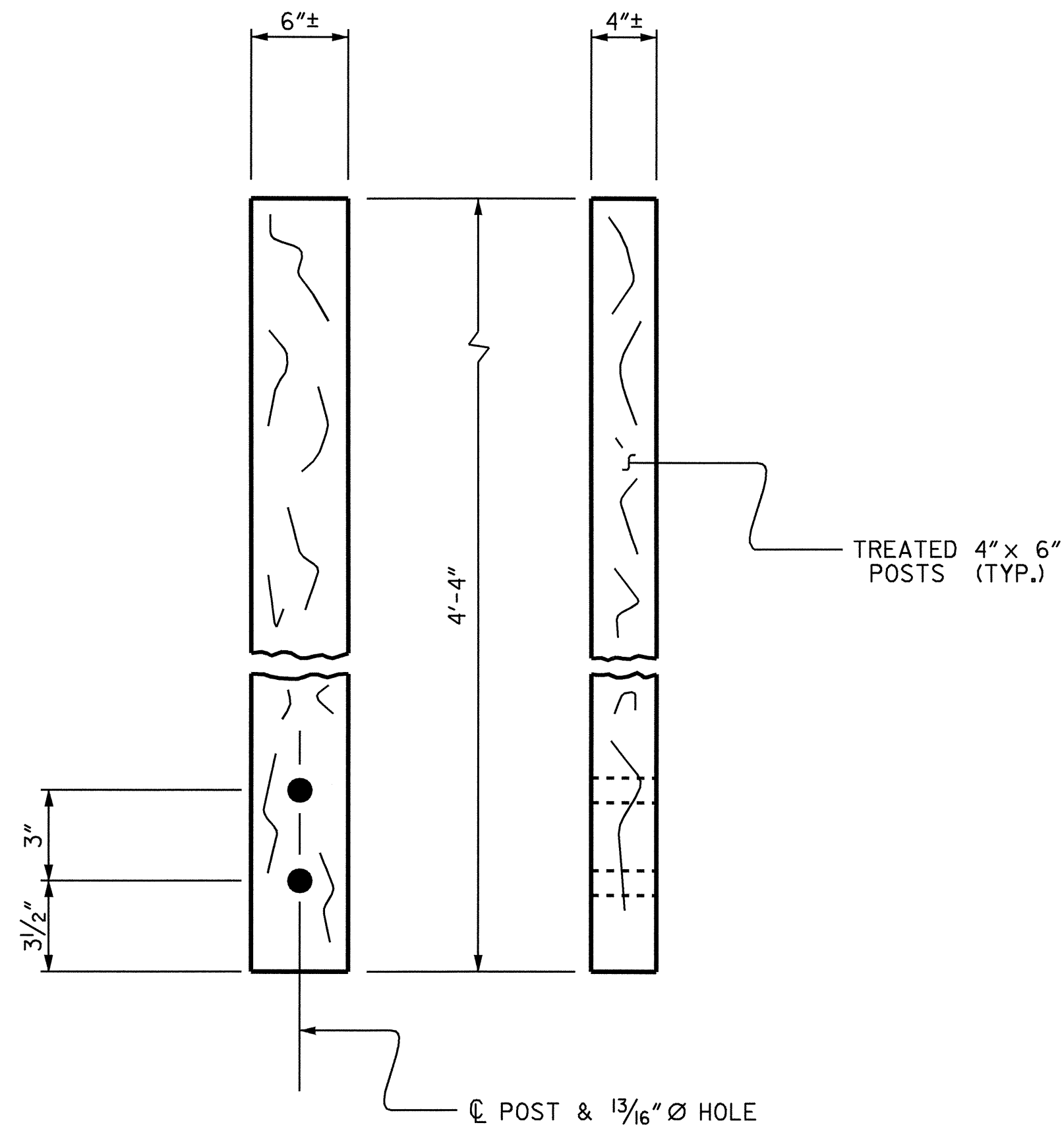


PLAN



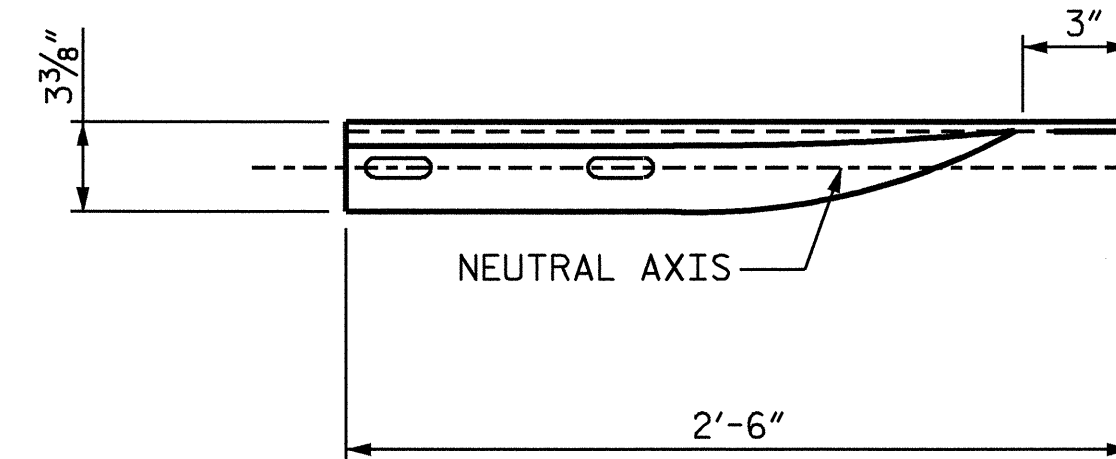
TYPICAL ELEVATION

CONCRETE PLATFORM DETAILS



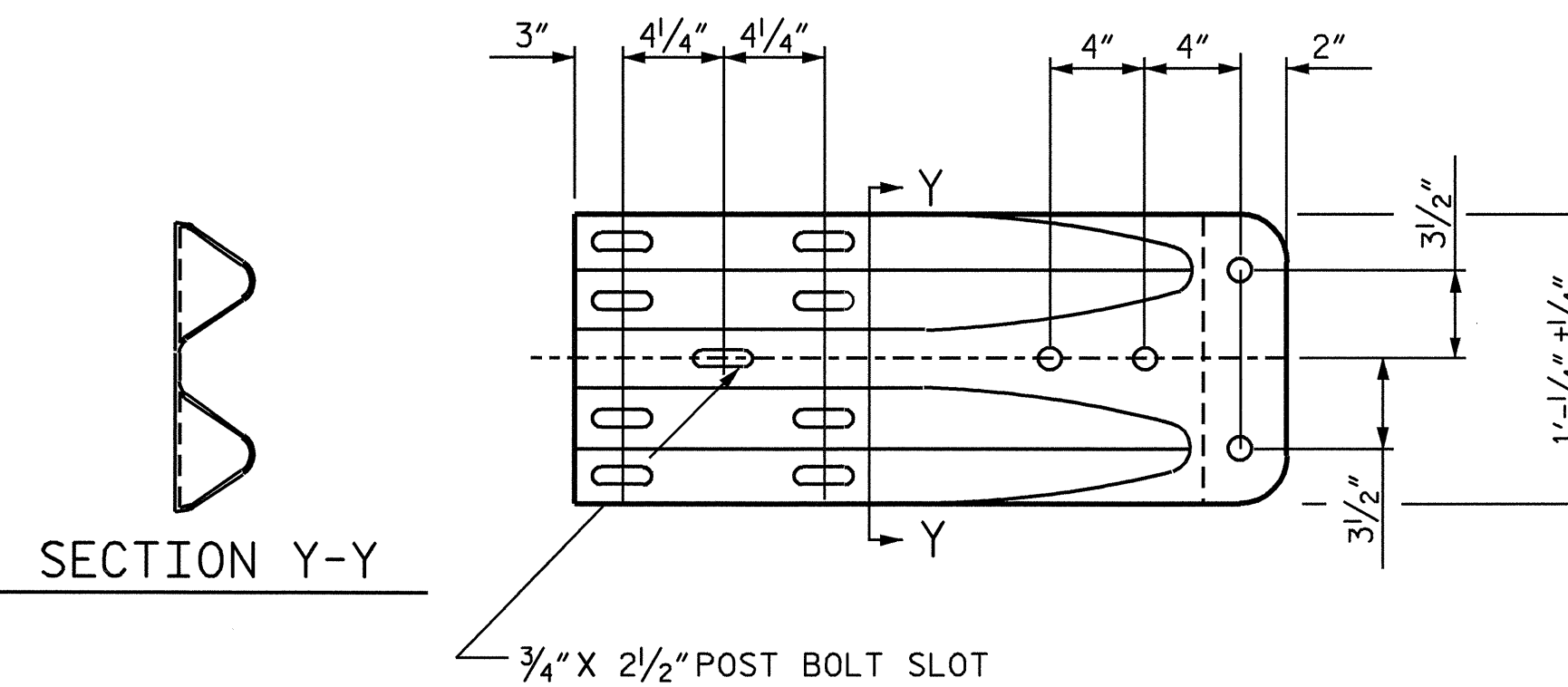
FRONT - SIDE

DETAIL OF TREATED 4" X 6" POSTS



NEUTRAL AXIS

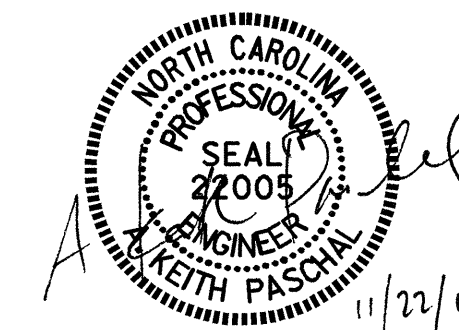
2'-6"



SECTION Y-Y

3/4" X 2 1/2" POST BOLT SLOT

TYPICAL END SHOES



PROJECT NO. F-4700
CURRITUCK COUNTY
 STATION: 10+00.00 -RP2-

STATE OF NORTH CAROLINA
 DEPARTMENT OF TRANSPORTATION
 RALEIGH
 SUPERSTRUCTURE
 CONCRETE PLATFORM
 DETAILS FOR RAMP 2
 CURRITUCK FERRY BASIN

REVISIONS						SHEET NO.
NO.	BY:	DATE:	NO.	BY:	DATE:	S-48
1			3			TOTAL SHEETS
2			4			56

DRAWN BY : K. McCAULEY DATE : 11/7/04
 CHECKED BY : A. K. PASCHAL DATE : 11/16/04