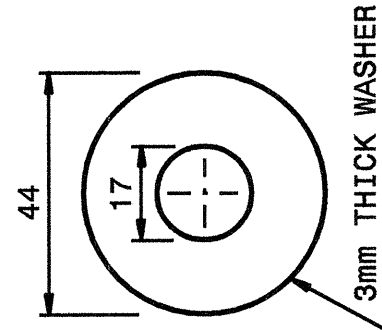
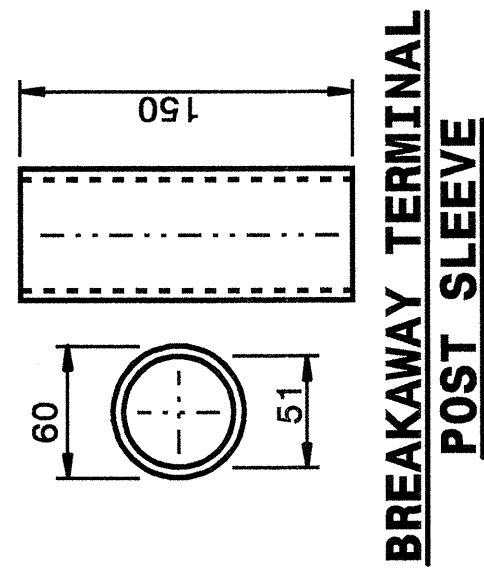


12-JUL-2004 15:07 \\s:\er\er\stds\02\stds to Special Details\metric\862d02\0862d02.m.dgn  
 er\er\stds\02\stds to Special Details\metric\862d02\0862d02.m.dgn

STATE OF  
 NORTH CAROLINA  
 DEPT. OF TRANSPORTATION  
 DIVISION OF HIGHWAYS  
 RALEIGH, N.C.

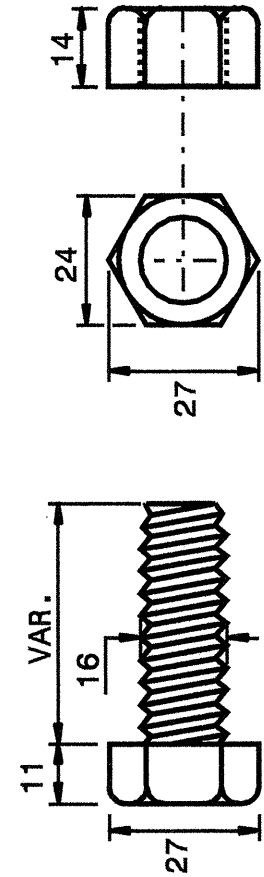
METRIC DETAIL DRAWING FOR  
**GUARDRAIL INSTALLATION**

SHEET 5 OF 7  
**862D02**

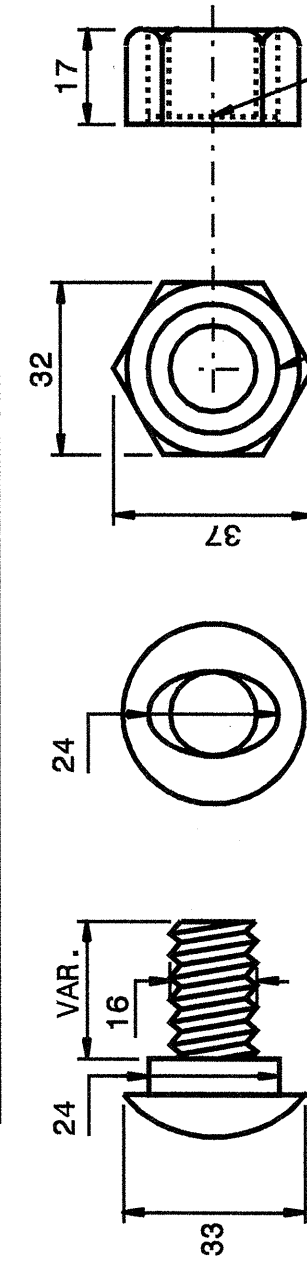


**DETAIL OF STANDARD WASHER**

STANDARD WASHER: TYPICAL USE UNDER NUT WITH WOOD POST



**DETAIL OF STANDARD HEX BOLT AND NUT**



**DETAIL OF BUTTON HEAD BOLT AND NUT**

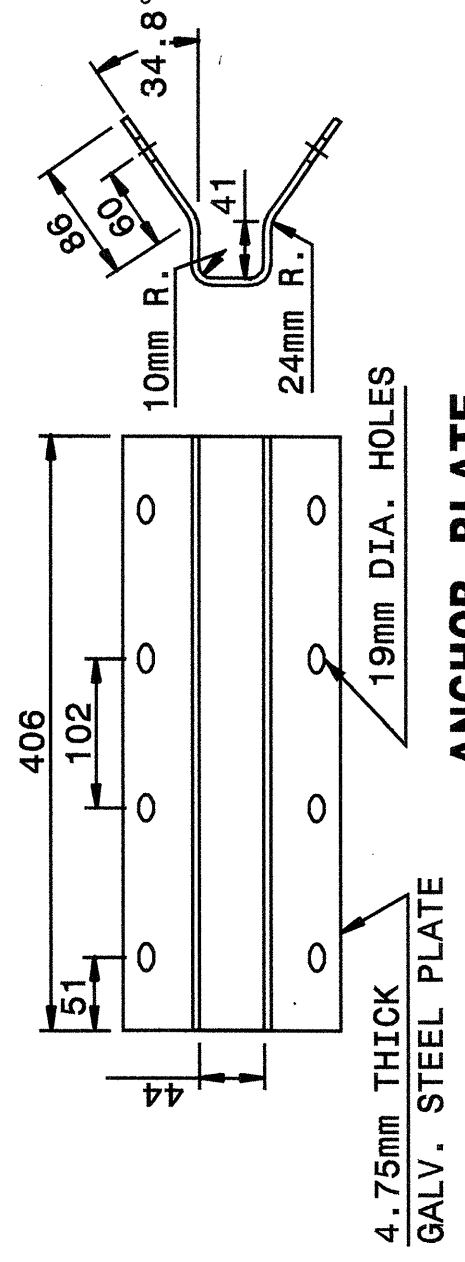
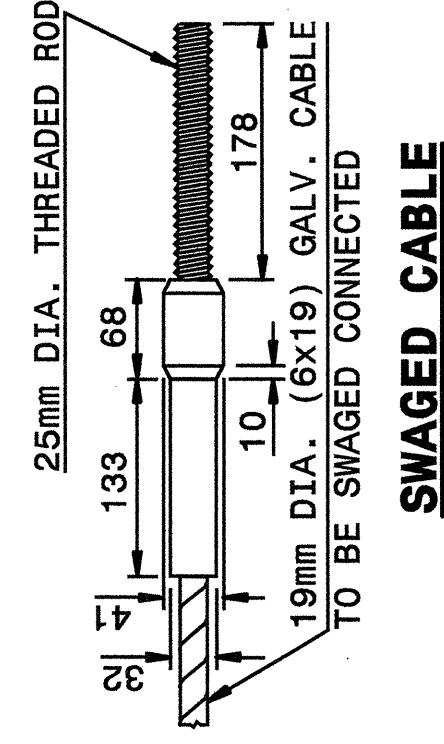
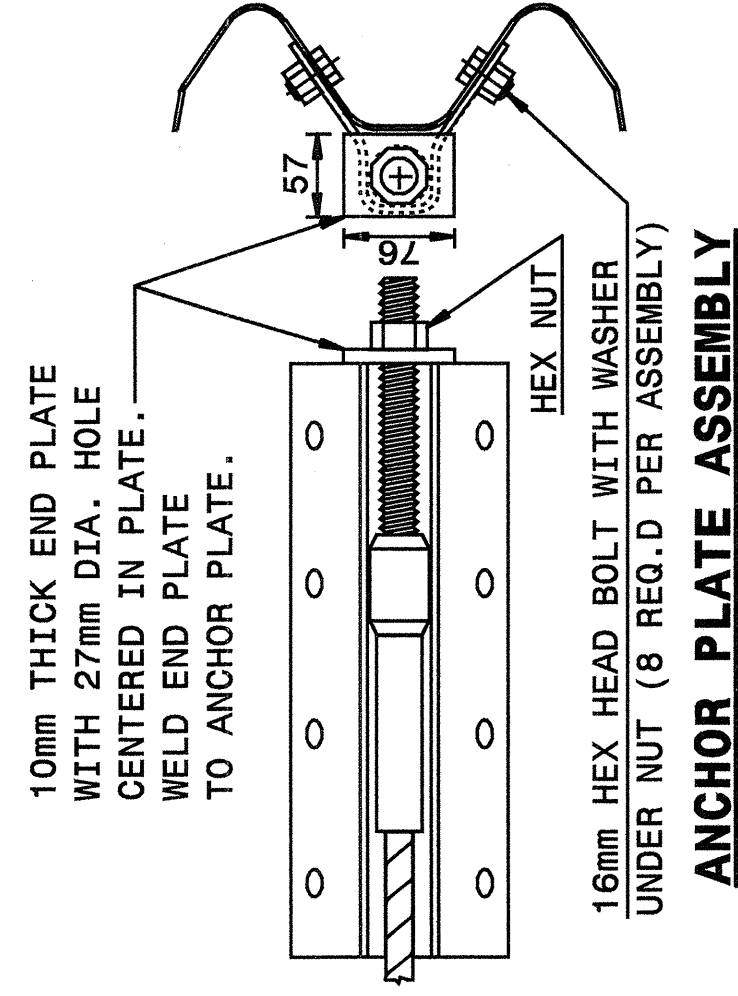
Note:  
 This drawing is dimensioned in millimeters unless otherwise depicted within the drawing.

**SYSTEM PARTS**

SHEET 5 OF 7  
**862D02**

STATE OF  
 NORTH CAROLINA  
 DEPT. OF TRANSPORTATION  
 DIVISION OF HIGHWAYS  
 RALEIGH, N.C.

METRIC DETAIL DRAWING FOR  
**GUARDRAIL INSTALLATION**

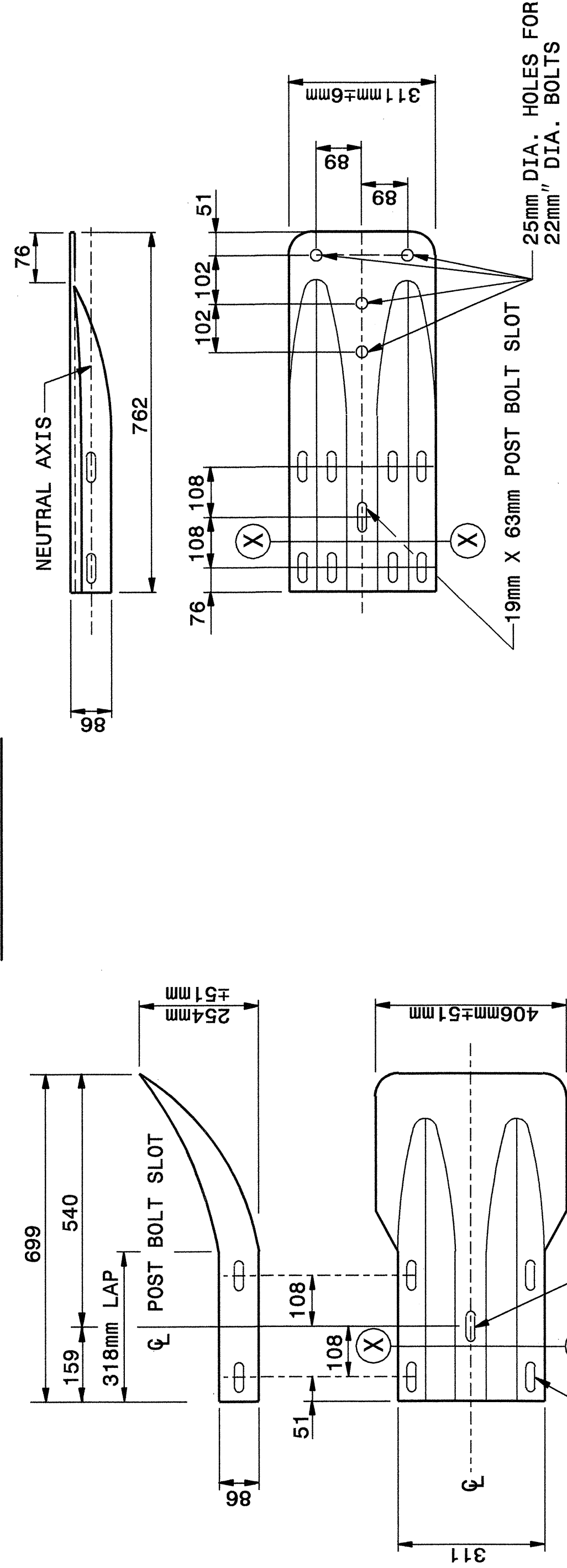
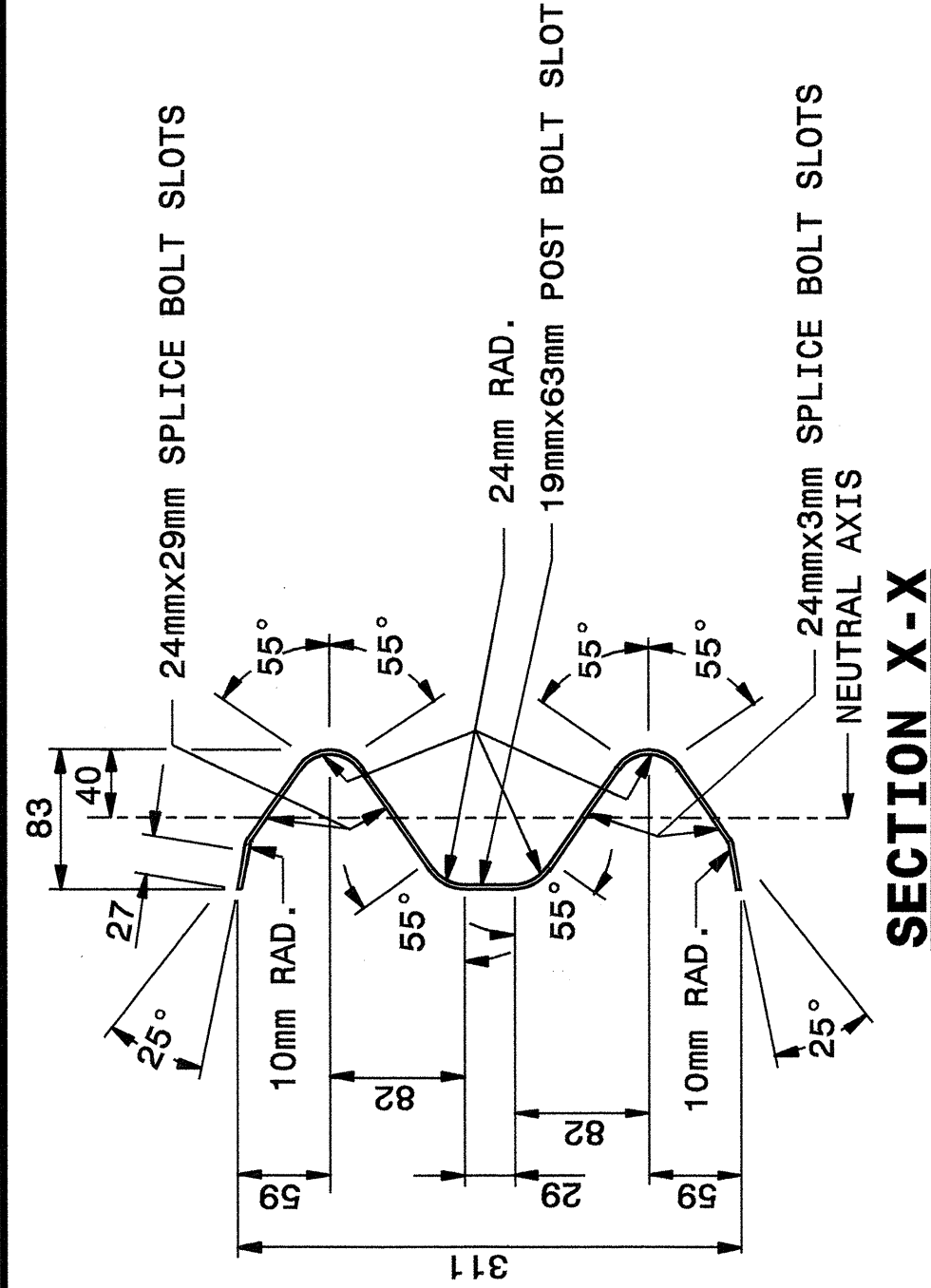


SHEET 6 OF 7  
**862D02**

STATE OF  
 NORTH CAROLINA  
 DEPT. OF TRANSPORTATION  
 DIVISION OF HIGHWAYS  
 RALEIGH, N.C.

METRIC DETAIL DRAWING FOR  
**GUARDRAIL INSTALLATION**

SHEET 6 OF 7  
**862D02**



Note:  
 This drawing is dimensioned in millimeters unless otherwise depicted within the drawing.

**SYSTEM PARTS - GENERAL USE**

SHEET 6 OF 7  
**862D02**

STATE OF  
 NORTH CAROLINA  
 DEPT. OF TRANSPORTATION  
 DIVISION OF HIGHWAYS  
 RALEIGH, N.C.

METRIC DETAIL DRAWING FOR  
**GUARDRAIL INSTALLATION**

DESIGN SERVICES UNIT  
 STANDARDS AND SPECIAL DESIGN  
 Office 919-250-4128 FAX 919-250-4119

**SEE PLATE FOR TITLE**

ORIGINAL BY: 2002 STD.862.02 DATE:  
 MODIFIED BY: E.E. WARD DATE: 02-09-03  
 CHECKED BY: DATE: 7/13/04  
 FILE SPEC.: \\sp\stds\02\stdetail\metric\862d02\862d02.m.dgn

