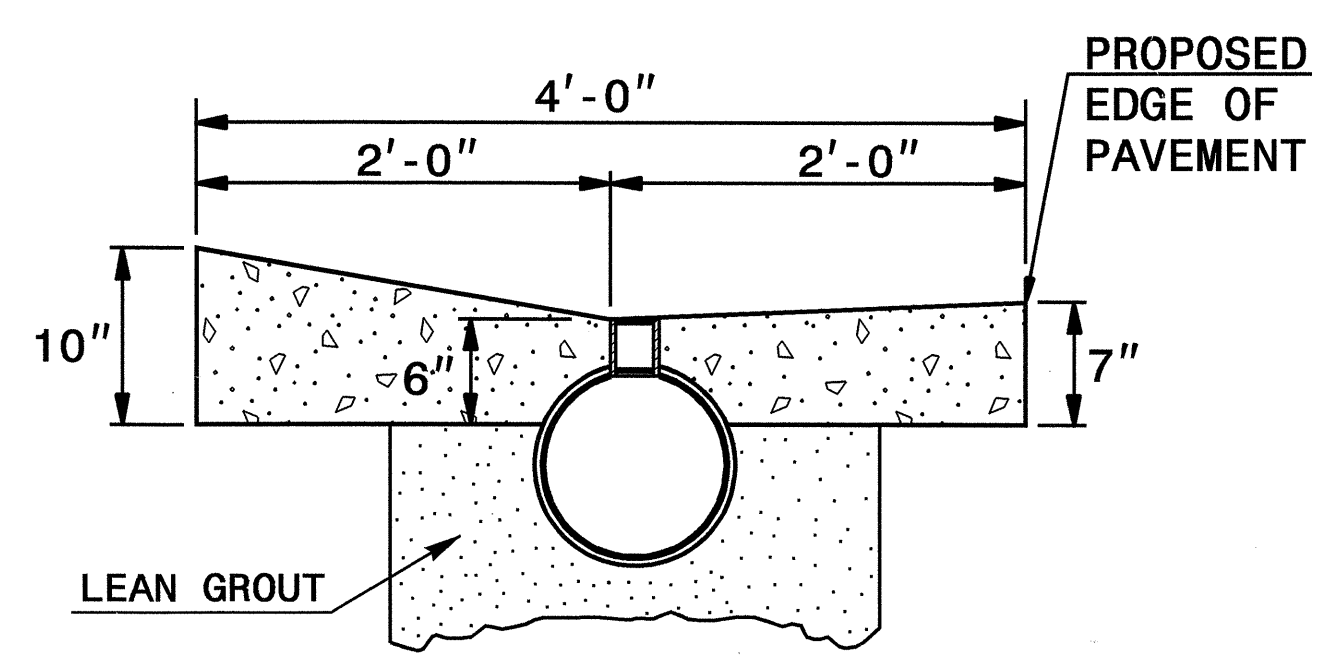
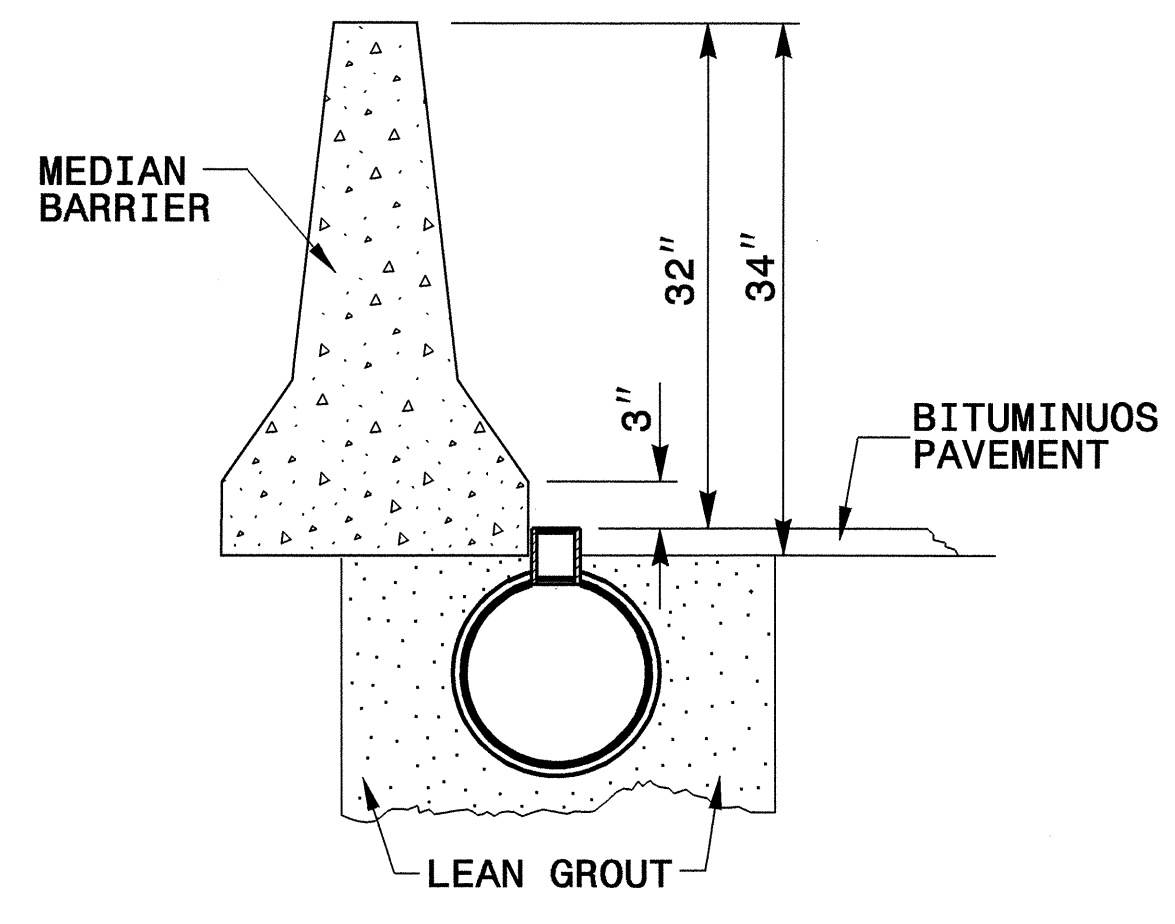


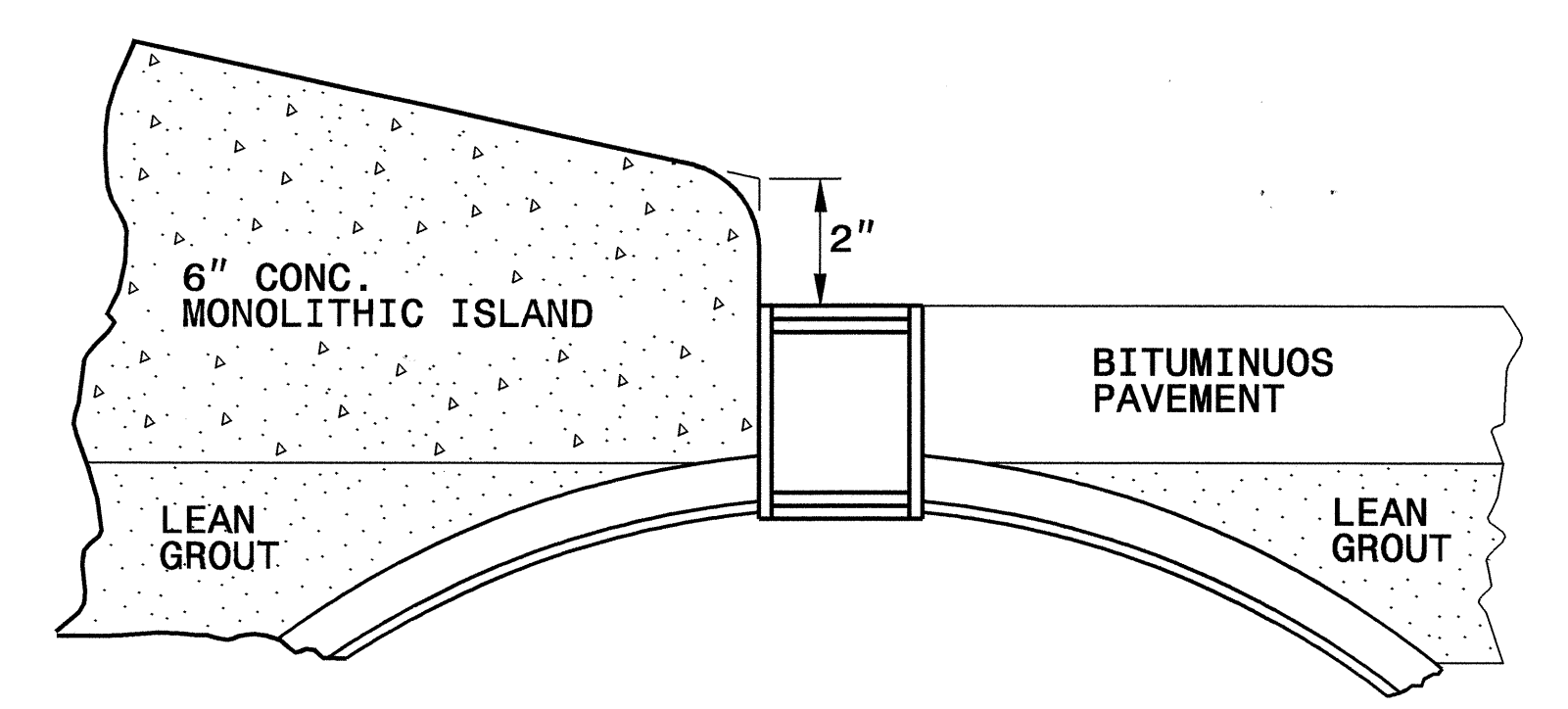
ALTERNATE NO. 1



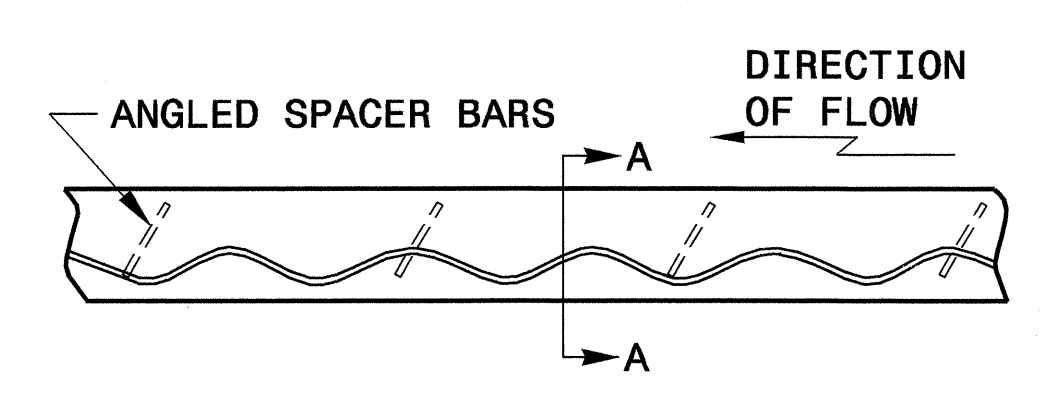
ALTERNATE NO. 2



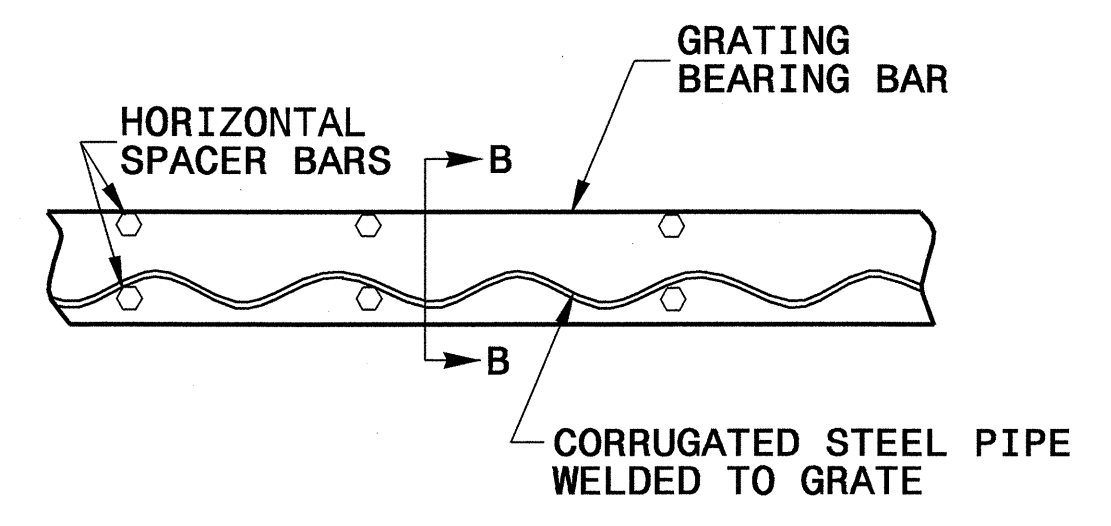
ALTERNATE NO. 3



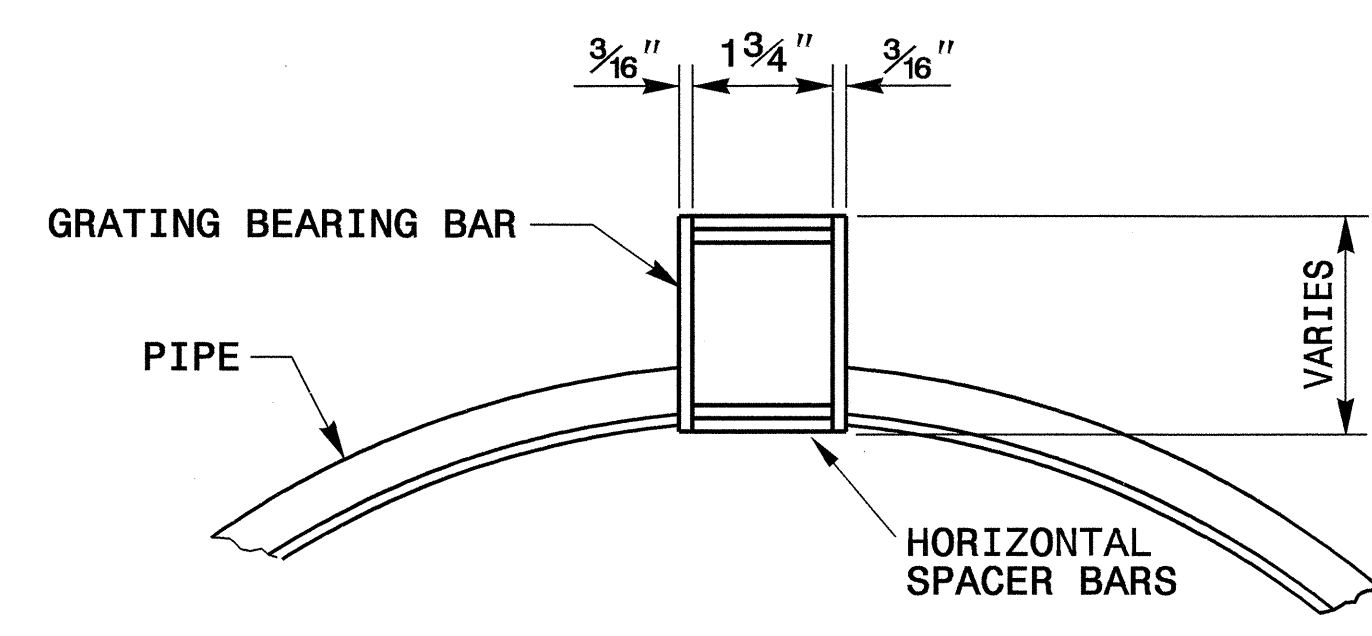
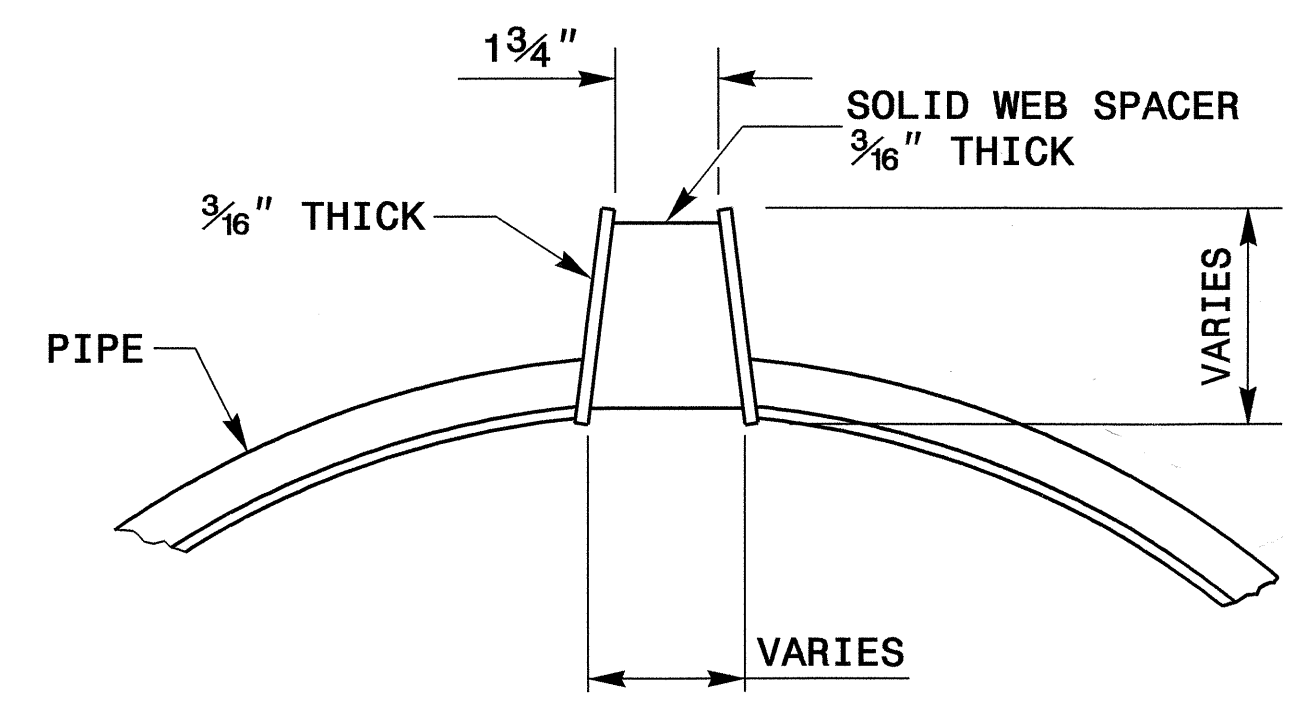
ALTERNATE NO. 4



SECTION A-A



SECTION B-B



TYPICAL GRATE DETAILS

NOTES:

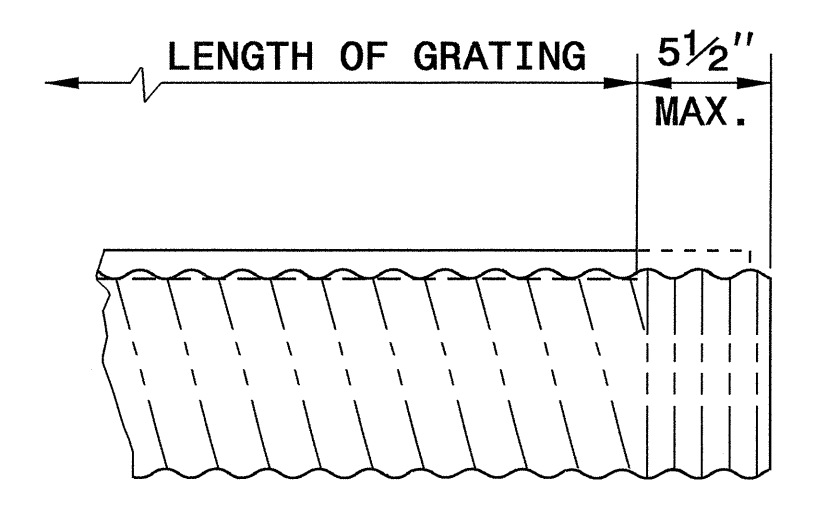
USE GRATE ASSEMBLIES FABRICATED FROM STRUCTURAL STEEL MEETING THE REQUIREMENTS OF ASTM A 570, GRADE 36 OR ASTM A 36.

HOT-DIP GALVANIZE GRATES AFTER FABRICATION TO MEET ASTM A123.

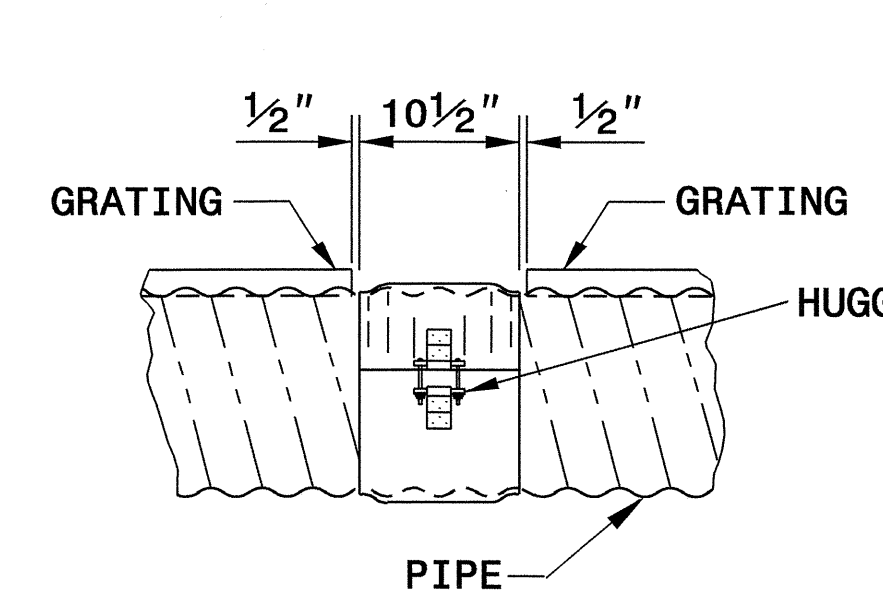
USE SLOTTED DRAIN PIPE THAT IS ADEQUATE FOR AASHTO H20 LOADING WHEN INSTALLED AS SHOWN.

USE SLOTTED DRAIN PIPE FABRICATED FROM ALUMINIZED CORRUGATED STEEL PIPE MEETING THE REQUIREMENTS OF AASHTO M274 TYPE 2.

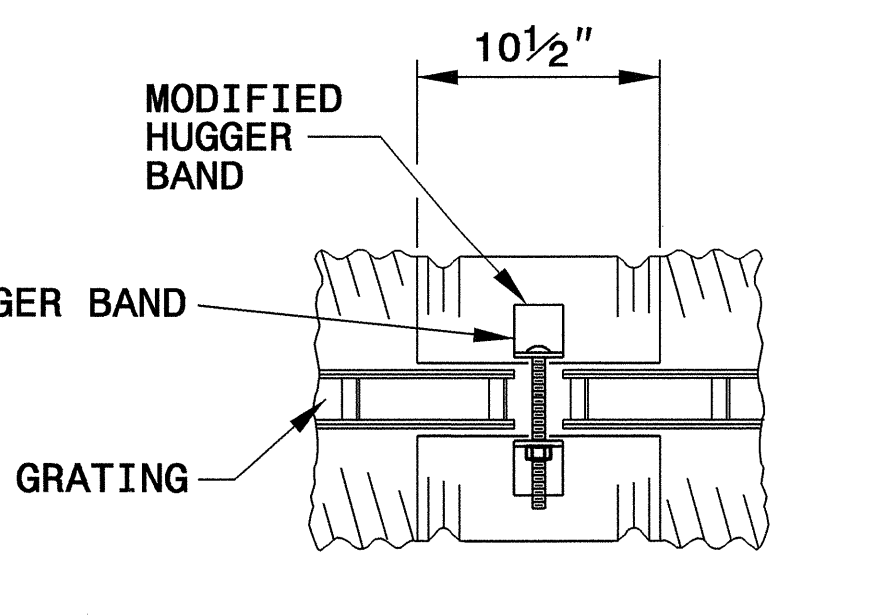
NCDOT ALLOWS THE USE OF SIMILAR GRATE CONFIGURATIONS MEETING THE REQUIREMENTS OF THIS DETAIL, THE REQUIREMENTS OF THE SPECIAL PROVISIONS, AND THE APPROVAL OF THE ENGINEER.



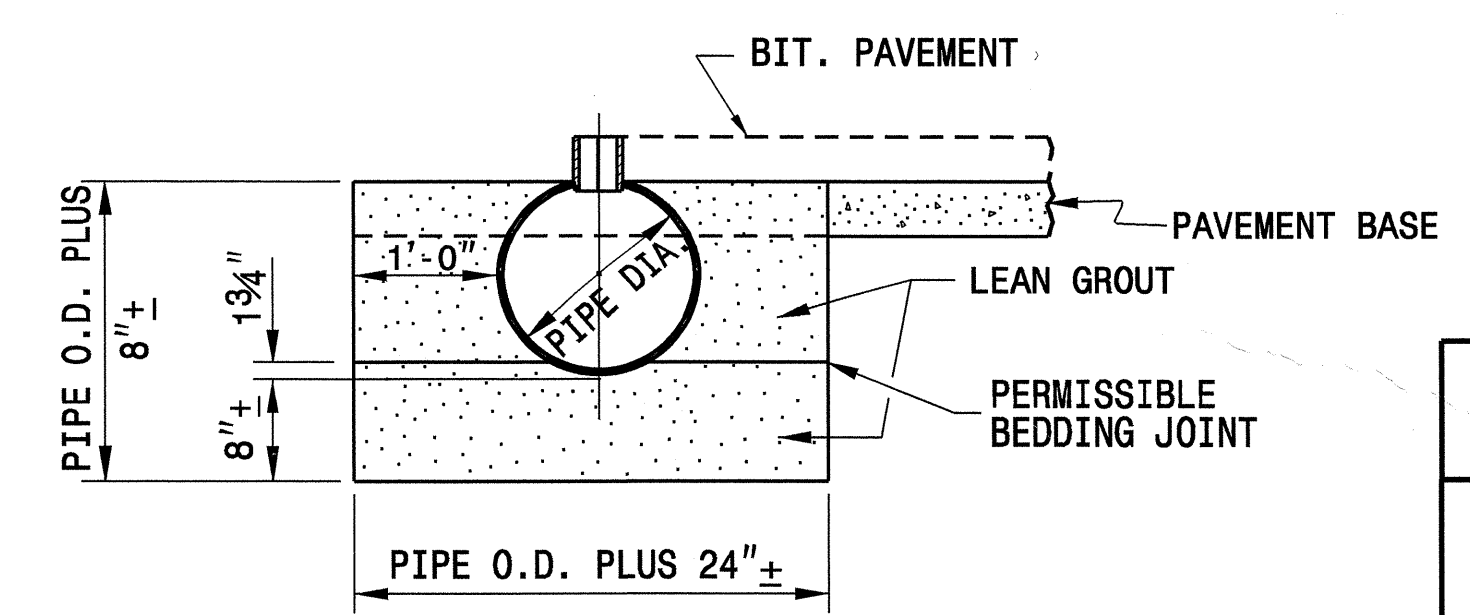
DETAIL AT END OF PIPE



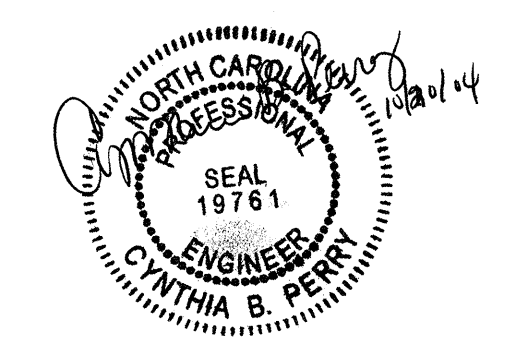
TYPICAL COUPLING BAND



MODIFIED COUPLING BAND



SLOTTED DRAIN PIPE INSTALLATION



DESIGN SERVICES UNIT	
STANDARDS AND SPECIAL DESIGN	
Office 919-250-4128	FAX 919-250-4119
DETAILS OF SLOTTED DRAIN	
12" THRU 36" DIAMETER PIPE	
ORIGINAL BY: T. Spell	DATE: 5-21-99
MODIFIED BY: [Signature]	DATE: [Blank]
CHECKED BY: [Signature]	DATE: 12-02
FILE SPEC.: SpecialDetails/schwab/slottedrain.dgn	

12-DEC-2002 11:23
 W:\Special_Details\hscweb\CurrentProjects\B3424\B3424slottedrain.dgn
 .hscweb AT DS181449