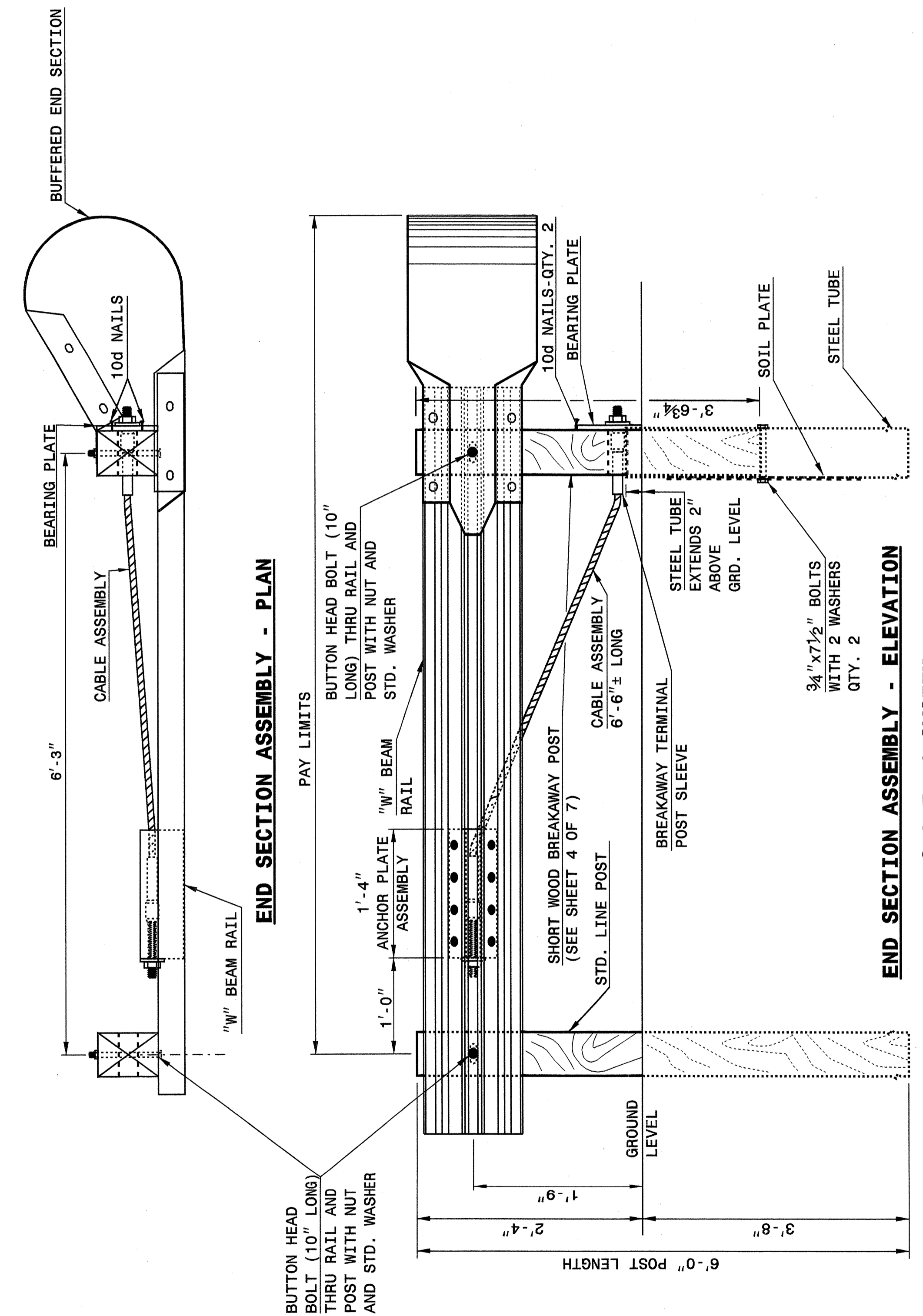


STATE OF NORTH CAROLINA  
DEPT. OF TRANSPORTATION  
RALEIGH, N.C.

ENGLISH DETAIL DRAWING FOR  
**GUARDRAIL INSTALLATION**

SHEET 1 OF 7  
**862D02**



STATE OF NORTH CAROLINA  
DEPT. OF TRANSPORTATION  
DIVISION OF HIGHWAYS  
RALEIGH, N.C.

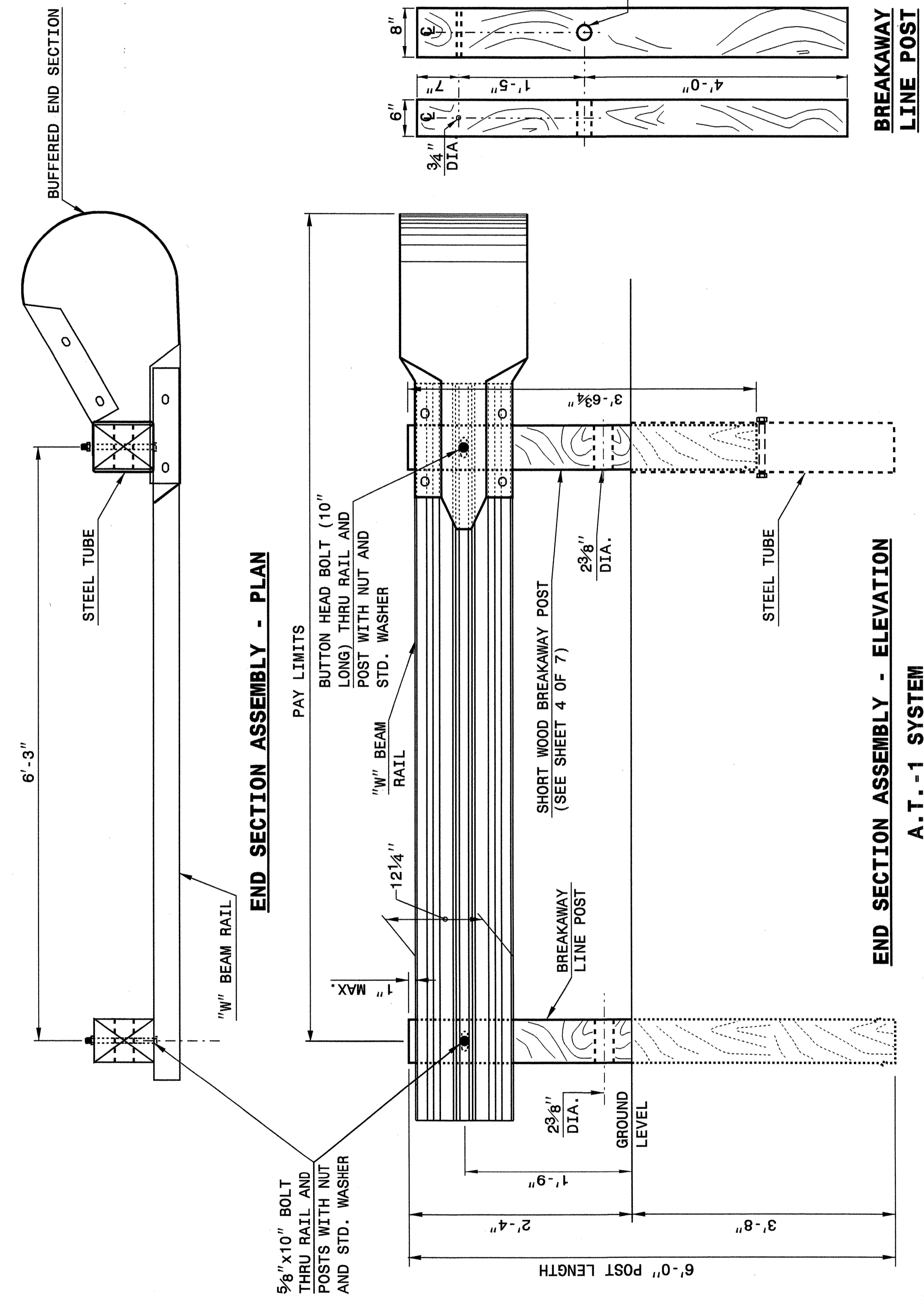
ENGLISH DETAIL DRAWING FOR  
**GUARDRAIL INSTALLATION**

SHEET 1 OF 7  
**862D02**

STATE OF NORTH CAROLINA  
DEPT. OF TRANSPORTATION  
RALEIGH, N.C.

ENGLISH DETAIL DRAWING FOR  
**GUARDRAIL INSTALLATION**

SHEET 2 OF 7  
**862D02**



STATE OF NORTH CAROLINA  
DEPT. OF TRANSPORTATION  
DIVISION OF HIGHWAYS  
RALEIGH, N.C.

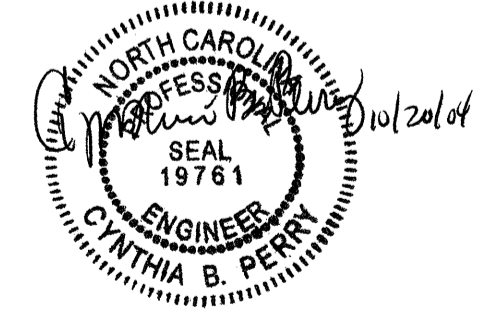
ENGLISH DETAIL DRAWING FOR  
**GUARDRAIL INSTALLATION**

SHEET 2 OF 7  
**862D02**

**DESIGN SERVICES UNIT  
STANDARDS AND SPECIAL DESIGN**  
Office 919-250-4128 FAX 919-250-4119

**SEE PLATE FOR TITLE**

ORIGINAL BY: 2002 STD.862.02 DATE:  
MODIFIED BY: E.E. WARD DATE: 02-09-03  
CHECKED BY: [Signature] DATE: 4-29-04  
FILE SPEC.: [Path]



29-APR-2004 11:01 AM  
 W:\Special Details\english\86202\862d02.dgn  
 5/14/99  
 29-APR-2004 11:01 AM  
 W:\Special Details\english\86202\862d02.dgn  
 5/14/99