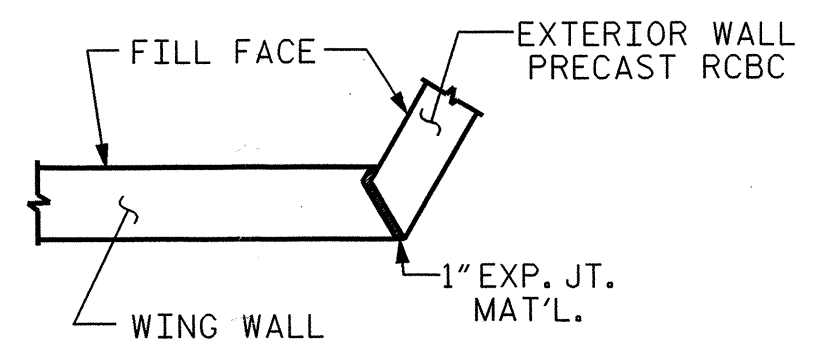
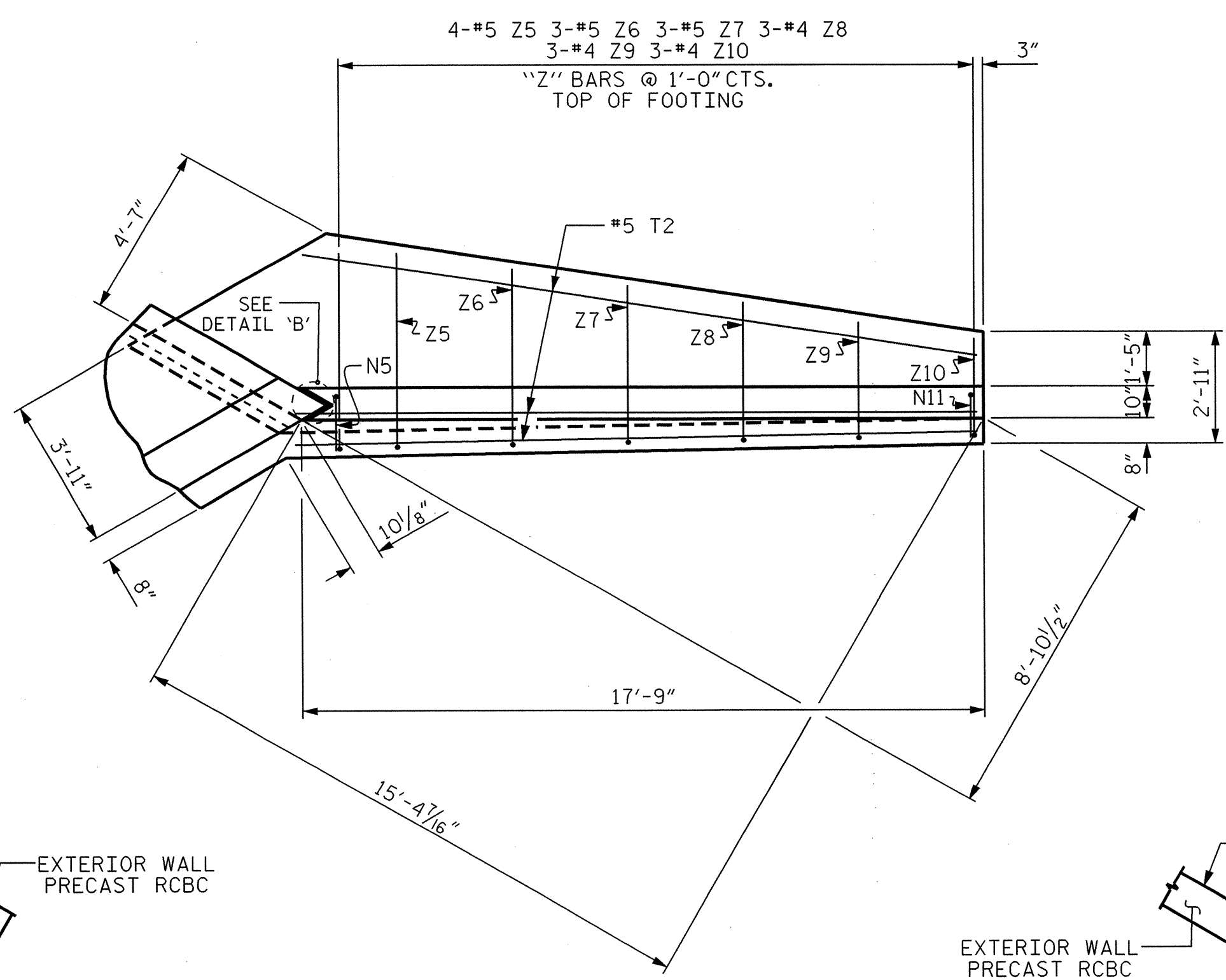


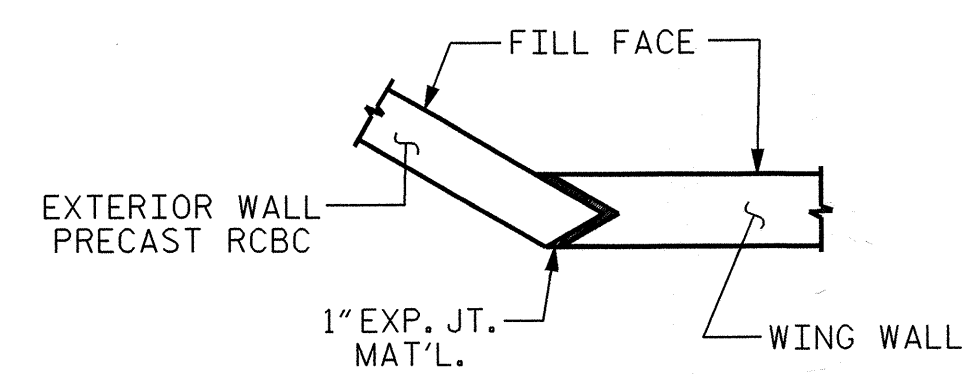
PLAN W2



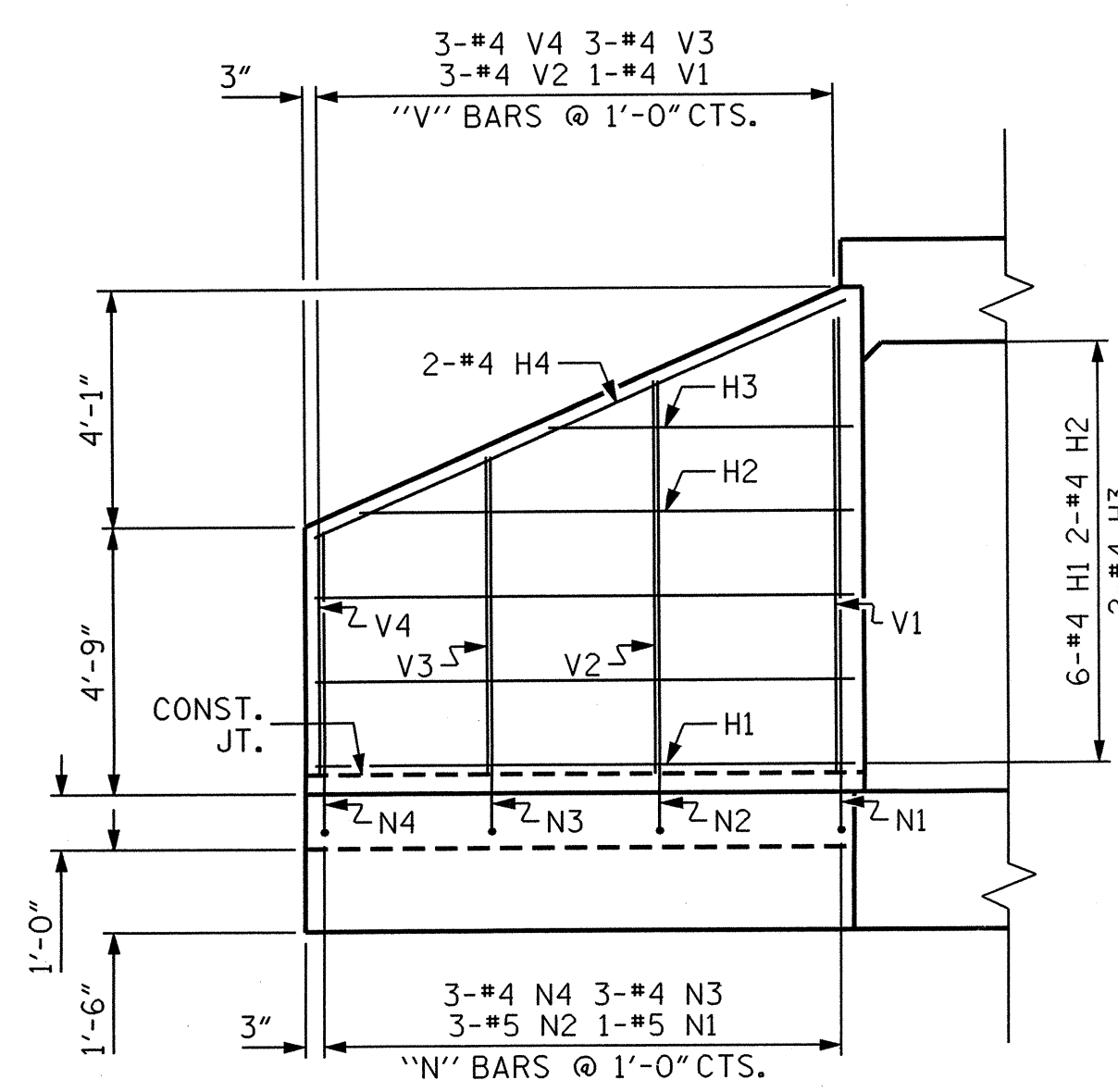
DETAIL 'A'



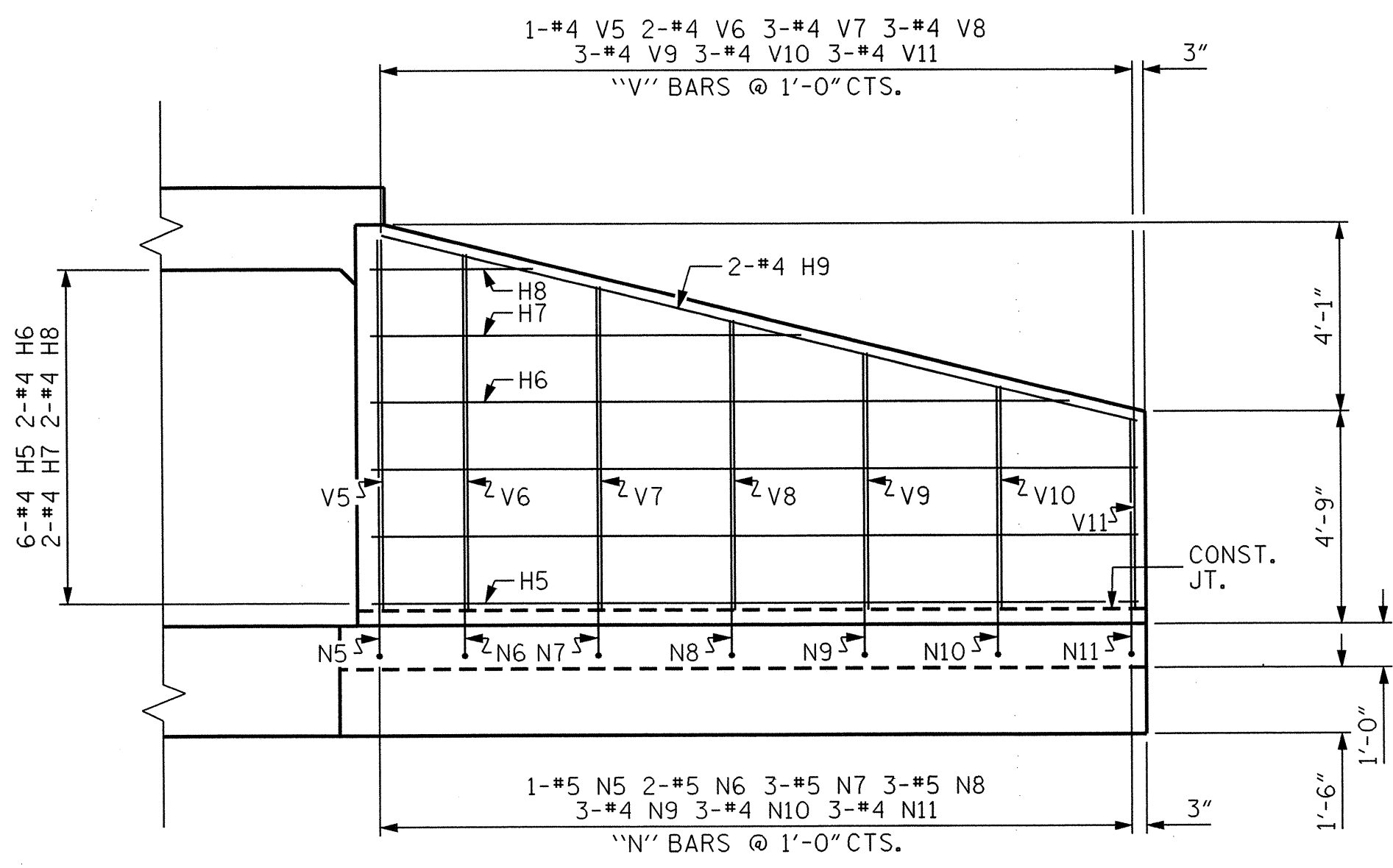
PLAN W1



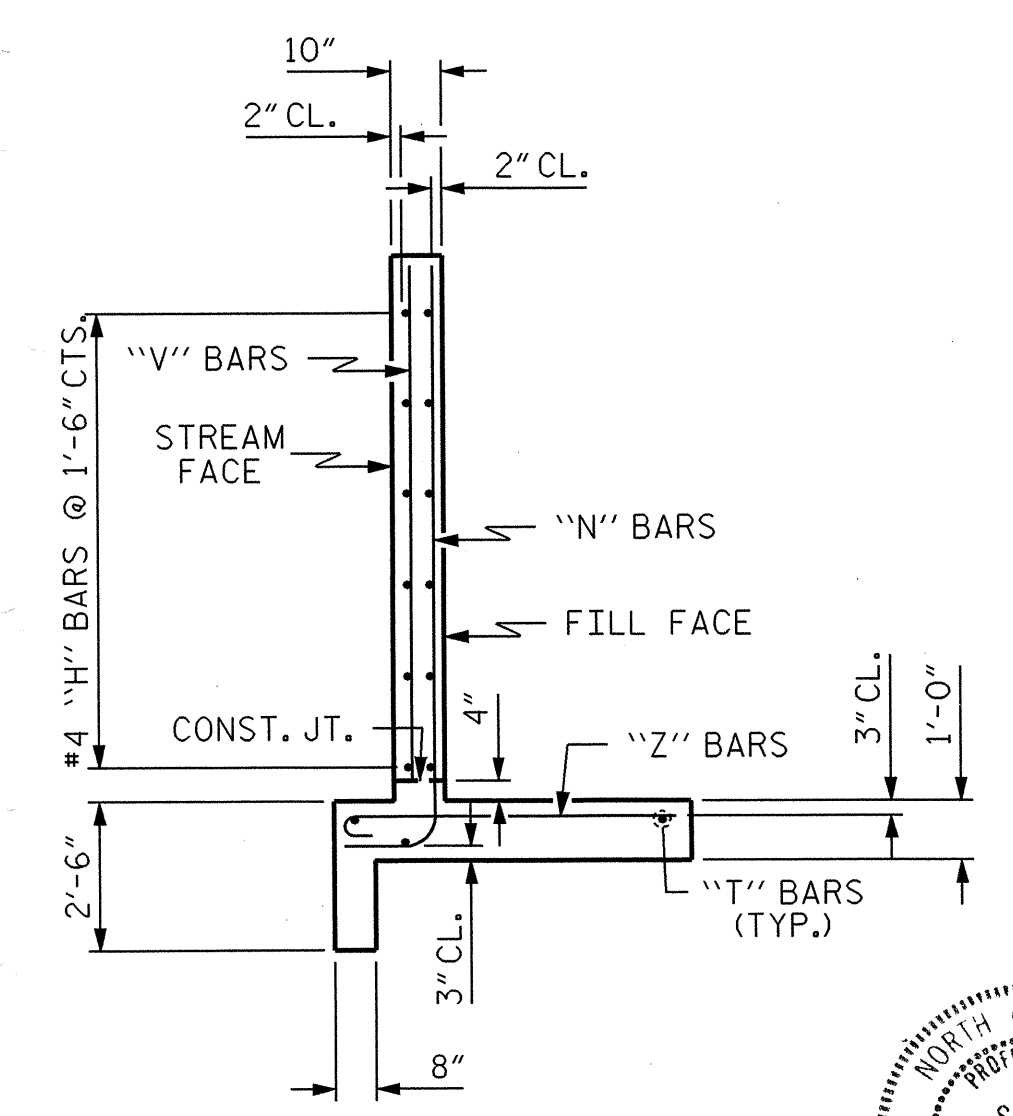
DETAIL 'B'



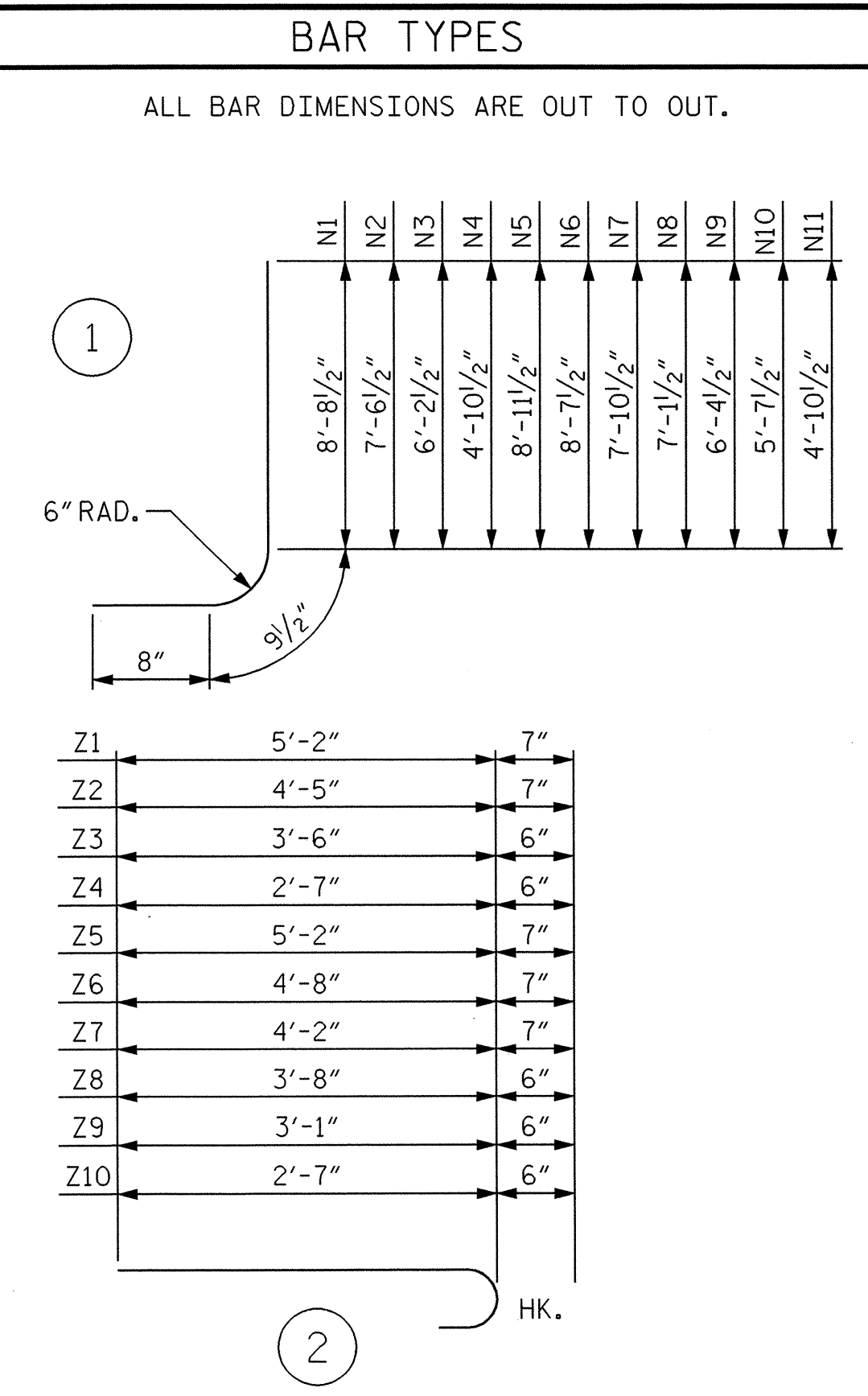
ELEVATION W2



ELEVATION W1



TYPICAL WING SECTION

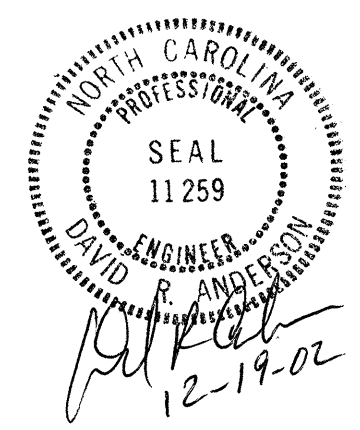


BILL OF MATERIAL					
BAR NO.	NO.	SIZE	TYPE	LENGTH	WEIGHT
H1	6	#4	STR	9'-4"	37
H2	2	#4	STR	8'-6"	11
H3	2	#4	STR	5'-1"	7
H4	2	#4	STR	10'-0"	13
H5	6	#4	STR	17'-0"	68
H6	2	#4	STR	15'-7"	21
H7	2	#4	STR	9'-6"	13
H8	2	#4	STR	3'-6"	5
H9	2	#4	STR	17'-7"	23
N1	1	#5	1	10'-2"	11
N2	3	#5	1	9'-0"	28
N3	3	#4	1	7'-8"	15
N4	3	#4	1	6'-4"	13
N5	1	#5	1	10'-5"	11
N6	2	#5	1	10'-1"	21
N7	3	#5	1	9'-4"	29
N8	3	#5	1	8'-7"	27
N9	3	#4	1	7'-10"	16
N10	3	#4	1	7'-1"	14
N11	3	#4	1	6'-4"	13
T1	3	#5	STR	10'-0"	31
T2	3	#5	STR	17'-9"	56
V1	1	#4	STR	8'-1"	5
V2	3	#4	STR	7'-0"	14
V3	3	#4	STR	5'-8"	11
V4	3	#4	STR	4'-4"	9
V5	1	#4	STR	8'-4"	6
V6	2	#4	STR	8'-0"	11
V7	3	#4	STR	7'-3"	15
V8	3	#4	STR	6'-6"	13
V9	3	#4	STR	5'-9"	12
V10	3	#4	STR	5'-0"	10
V11	3	#4	STR	4'-3"	9
Z1	2	#5	2	5'-9"	12
Z2	3	#5	2	5'-0"	16
Z3	3	#4	2	4'-0"	8
Z4	3	#4	2	3'-1"	6
Z5	4	#5	2	5'-9"	24
Z6	3	#5	2	5'-3"	16
Z7	3	#5	2	4'-9"	15
Z8	3	#4	2	4'-2"	8
Z9	3	#4	2	3'-7"	7
Z10	3	#4	2	3'-1"	6

REINFORCING STEEL	716 LBS
FOR 2 WINGS	
CLASS A CONCRETE	
2 WINGS	12.2 CY
1 HEADWALL	1.2 CY
1 END CURTAIN WALL	0.9 CY
TOTAL	14.3 CY

PROJECT NO. B-3424  
CABARRUS COUNTY  
 STATION: 13+14.00 -L-

SHEET 4 OF 11  
 STATE OF NORTH CAROLINA  
 DEPARTMENT OF TRANSPORTATION  
 RALEIGH  
**STANDARD WINGS**  
 FOR  
**CONCRETE BOX CULVERT**  
 H = 8'-0" SLOPE = 2:1  
 60° SKEW



ASSEMBLED BY : K. P. SEDAI DATE : 5/3/02  
 CHECKED BY : T. A. WALTER DATE : 5/13/02  
 DRAWN BY : CCJ 11/99  
 CHECKED BY : RWW 03/00

REVISIONS						SHEET NO.
NO.	BY:	DATE:	NO.	BY:	DATE:	
1			3			C-4
2			4			TOTAL SHEETS 11