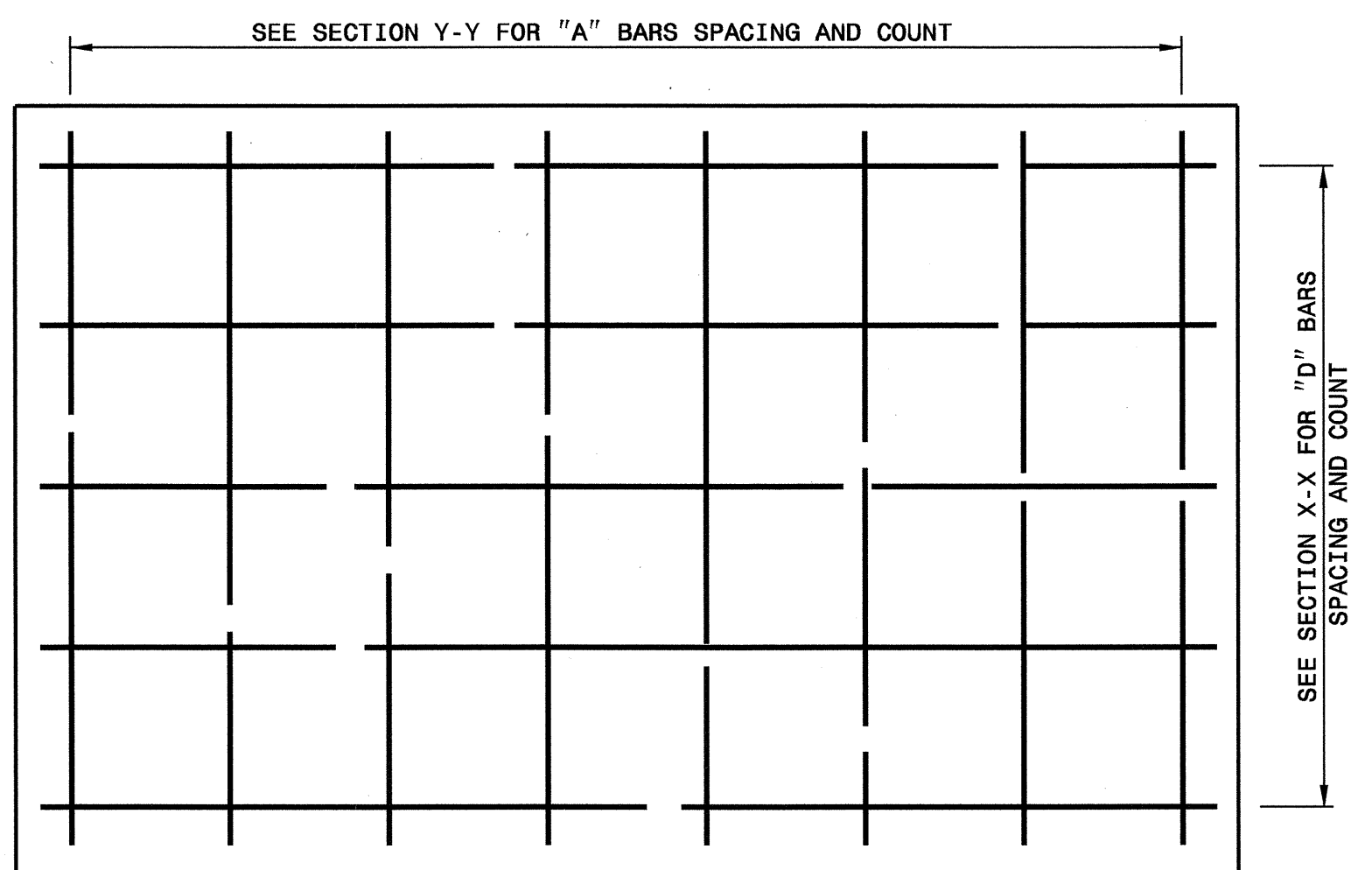


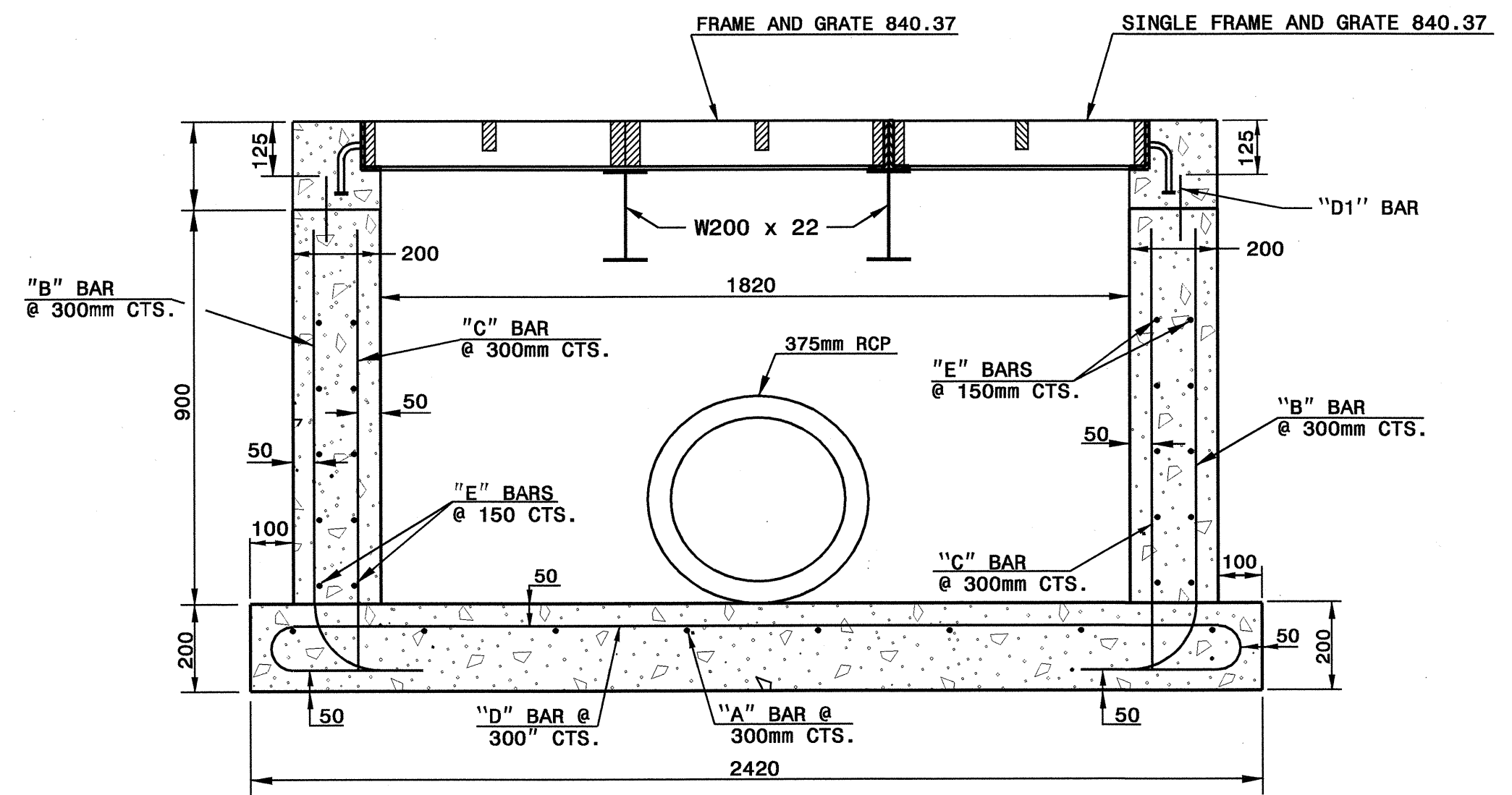
PLAN



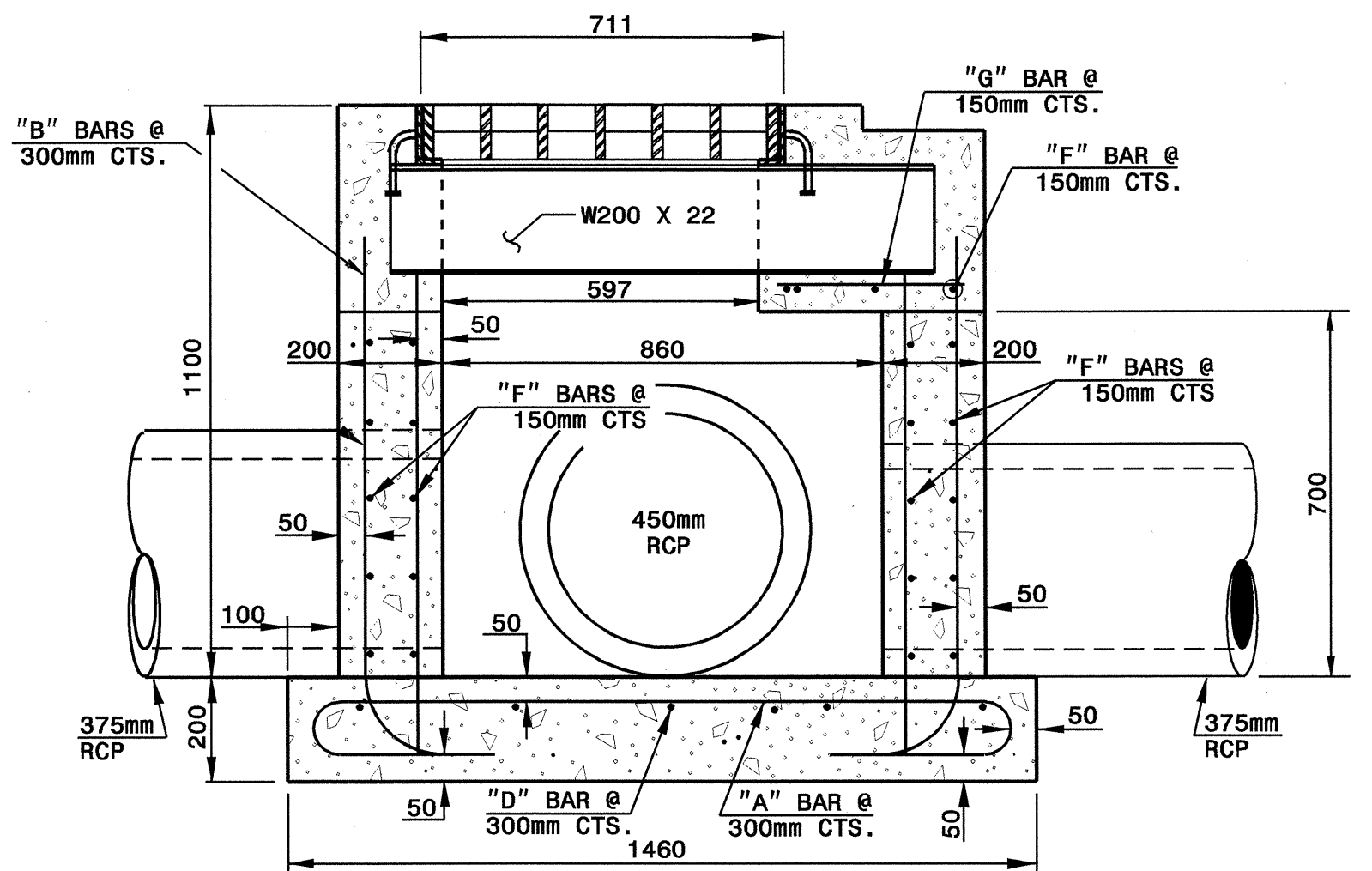
PLAN OF BASE

GENERAL NOTES:

- CHAMFER ALL EXPOSED CONCRETE CORNERS 25mm.
- USE FORMS TO CONSTRUCT THE BASE SLAB.
- IF PIPES ARE SET IN THE BASE SHALL FOLLOW CONSTRUCTION PROCEDURES SHOWN BY STD. DWG. 840.00.
- PRECAST UNITS MADE OF CLASS "AA" CONCRETE MAY BE USED IN LIEU OF BRICK MASONRY CONSTRUCTION.
- INCLUDE REINFORCING STEEL COST IN THE UNIT OR PER METER BID PRICE FOR "MASONRY DRAINAGE STRUCTURE".
- REFERENCE STD. DWG. 840.25 FOR FRAME ANCHORAGE.
- CONCRETE BRICK, JUMBO BRICK AND 100mm SOLID CONCRETE BLOCK WILL BE PERMITTED
- PROVIDE DROP INLETS OVER 1.0m DEEP WITH STEPS SPACED 300mm ON CENTER AS DIRECTED BY STD. DWG. 840.66.
- FRAME AND GRATES ARE SEPARATE CONTRACT ITEM.

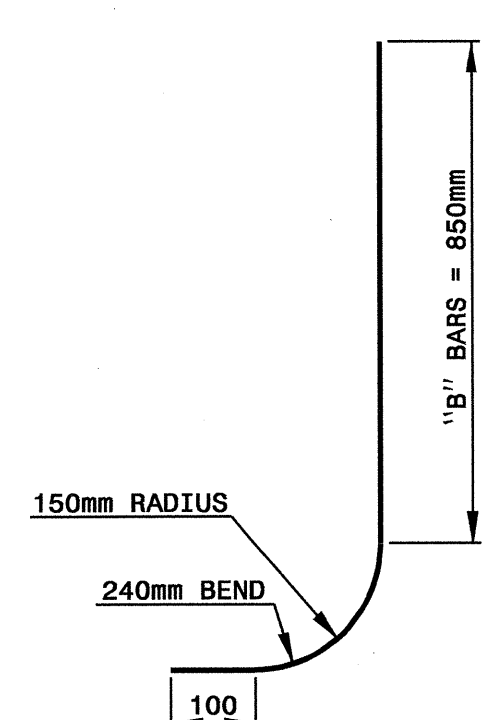


SECTION Y-Y

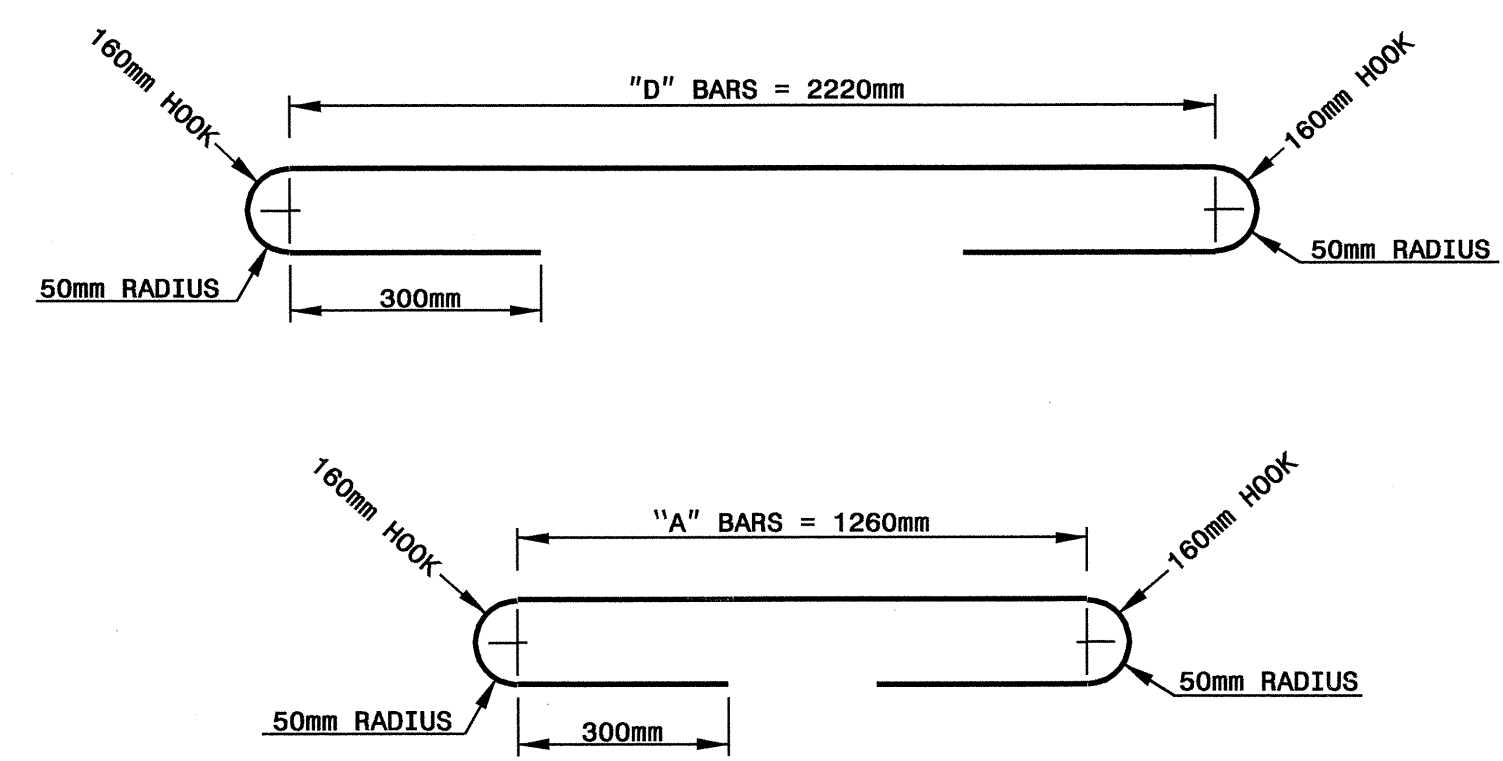


SECTION X-X

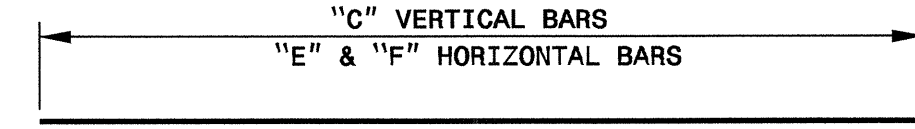
BILL OF MATERIALS				
BAR	SIZE	LENGTH	QUANTITY	WEIGHT
A	#16	2180	8	27
B	#16	1190	24	44
C	#16	1000	24	37
D	#16	3140	5	24
E	#16	1160	20	36
F	#16	2120	20	66
G	#16	375	16	9
D1	#16	250	42	16
REINF. STEEL (TOTAL WEIGHT kgs.)				259
CONCRETE IN TOP SLAB (m ³)				0.34
CONCRETE IN BASE (m ³)				0.71
CONCRETE IN WALLS (m ³)				2.18
CONCRETE TOTAL (m ³)				1.42
CONC. m ³ IN WALL/METER OF HEIGHT				0.87
KGS. OF REINF. STEEL IN WALL/METER OF HEIGHT				143



CORNER BARS



BASE BARS



STRAIGHT BARS

Note:
This drawing is dimensioned in millimeters unless otherwise depicted within the drawing.

**DESIGN SERVICES UNIT
STANDARDS AND SPECIAL DESIGN**
Office 919-250-4128 FAX 919-250-4119

**TRAFFIC BEARING
DROP INLET WITH
TRIPLE FRAME & GRATES**

ORIGINAL BY: T.Spell DATE: Oct. 29, 2003
 MODIFIED BY: C.B. Perry DATE: 2/15/04
 CHECKED BY: C.B. Perry
 FILE SPEC.: w:\details\metric\stand\840d35m w\3qi.dgn

05-FEB-2004 07:58 tspell\11\metric\840d35m.w3qi.dgn