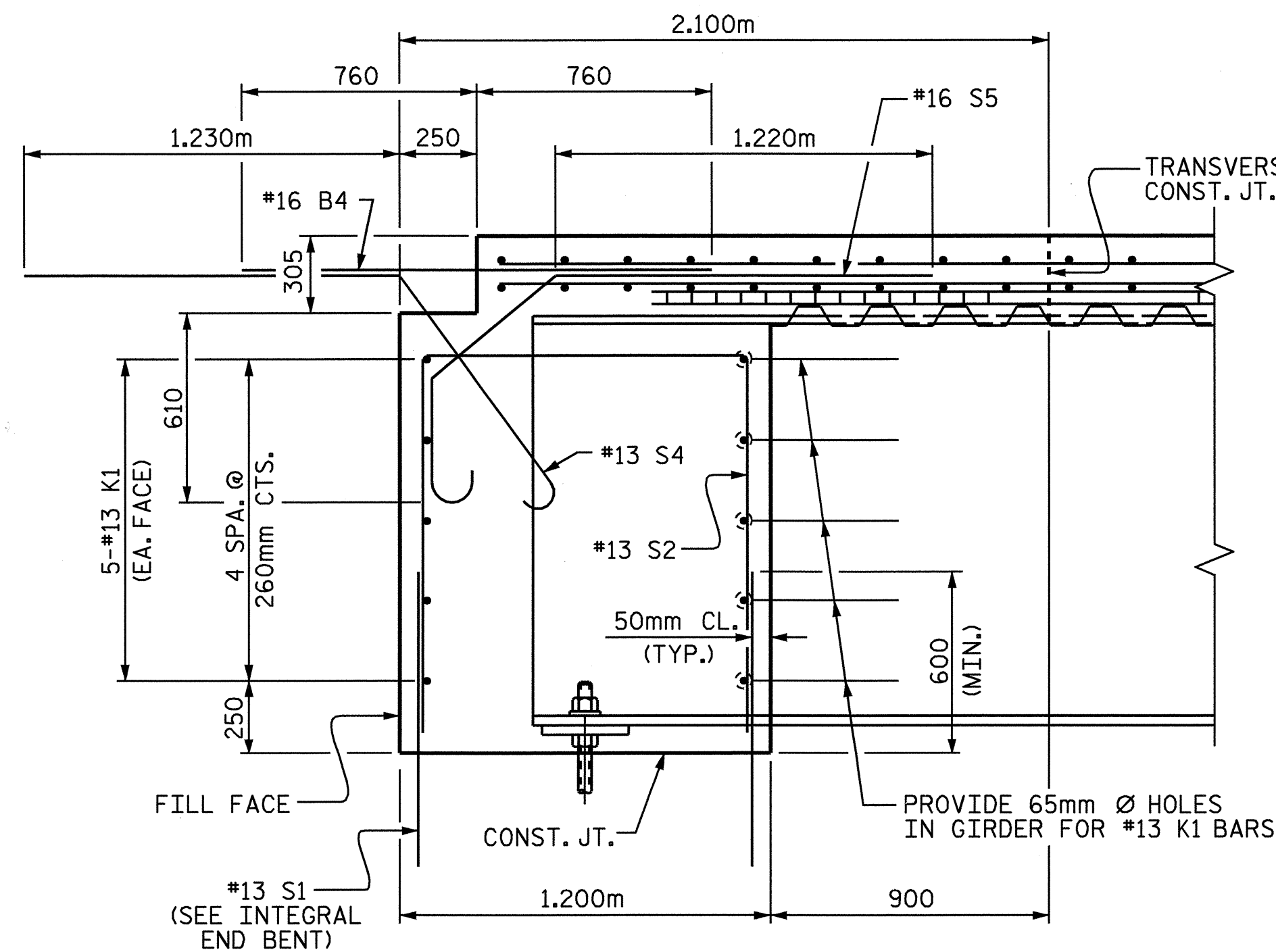


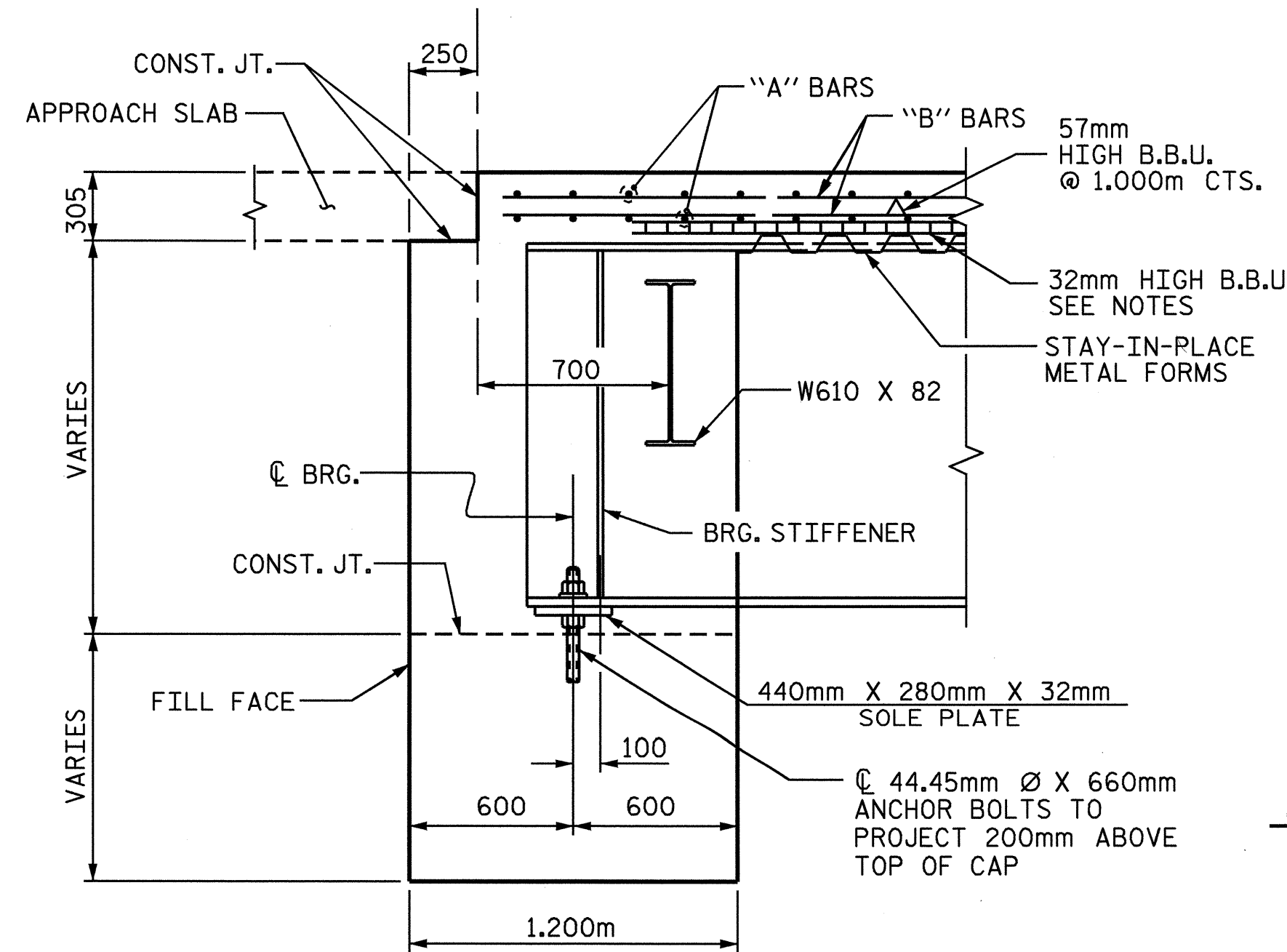
TYPICAL SECTION @ INTEGRAL END BENT

(END BENT DIAPHRAGMS NOT SHOWN FOR CLARITY)

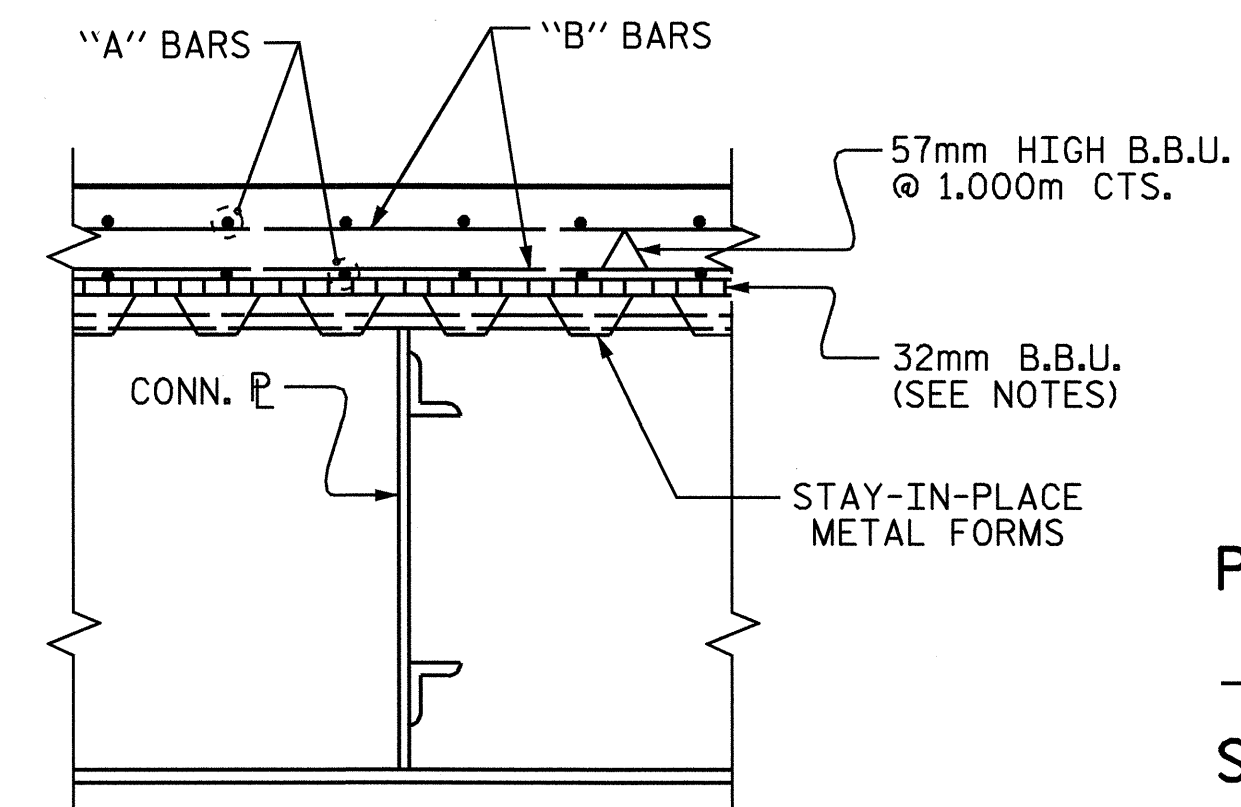


SECTION A-A

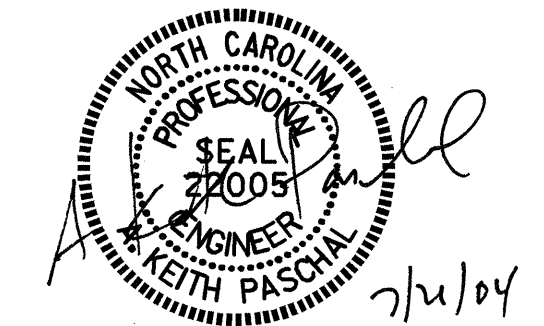
SHOWN NORMAL TO FILL FACE



SECTION THRU END BENT DIAPHRAGM



SECTION THRU INTERMEDIATE DIAPHRAGM



PROJECT NO. B-3256
WAKE COUNTY
 STATION: 12+92.508 -L-

SHEET 2 OF 3

STATE OF NORTH CAROLINA
 DEPARTMENT OF TRANSPORTATION
 RALEIGH
 SUPERSTRUCTURE
 TYPICAL SECTION

DRAWN BY : G.M.P. / K.M.M. DATE : 5/13/03
 CHECKED BY : F.B. POOLE DATE : 9/10/03

21-JUL-2004 16:32
 W:\squadp\b3256\kmccauley\B3256_sd.TS_01.dgn
 kmccauley

REVISIONS						SHEET NO. S-5
NO.	BY:	DATE:	NO.	BY:	DATE:	
1			3			TOTAL SHEETS 26
2			4			