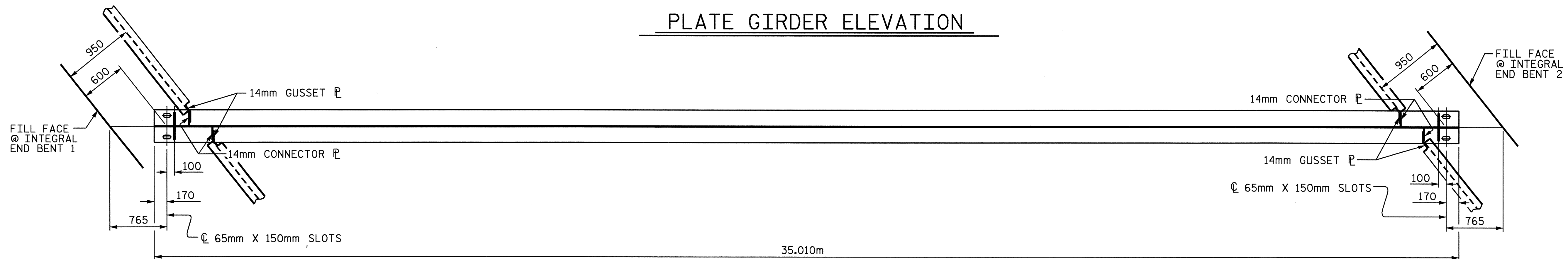
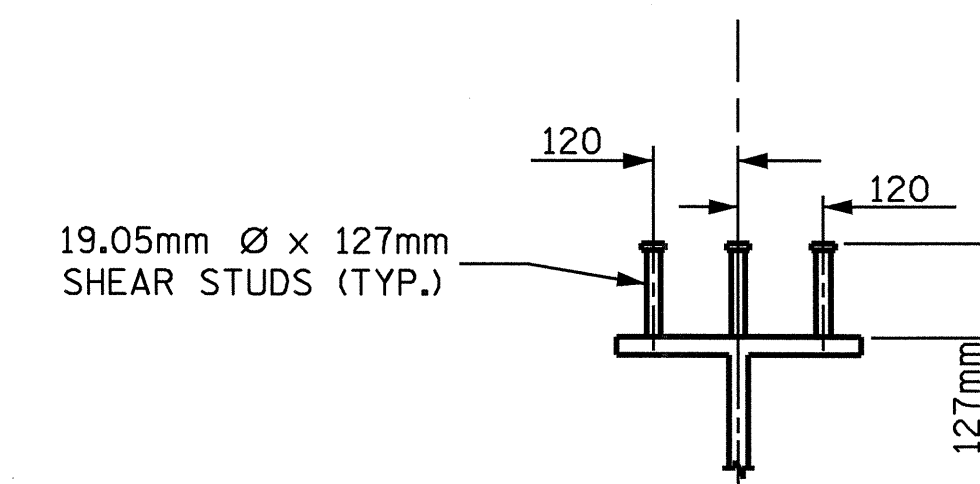


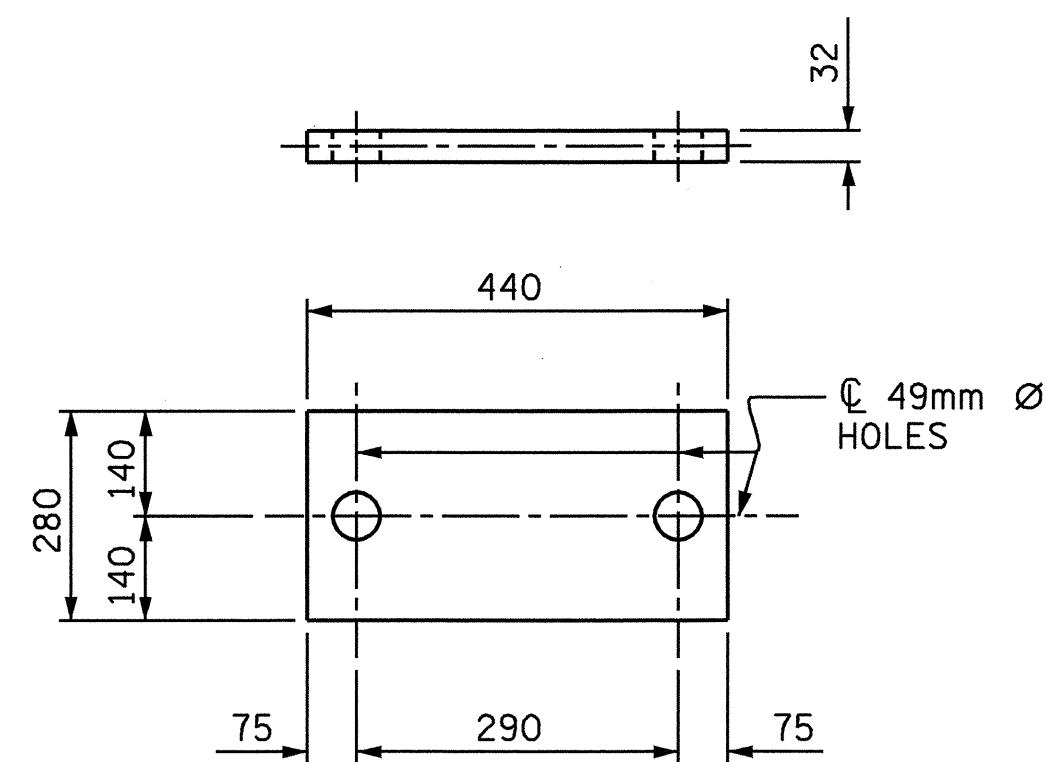
PLATE GIRDER ELEVATION



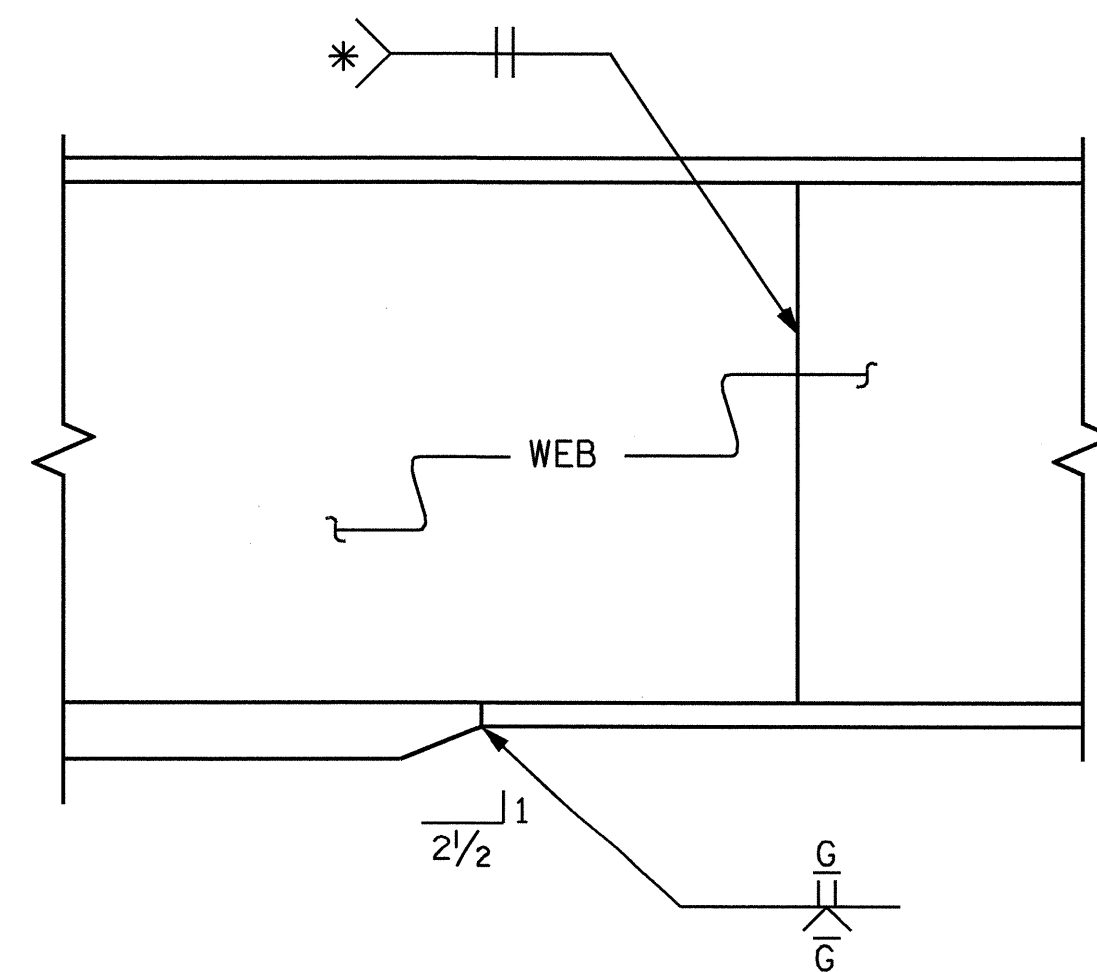
PLAN - BOTTOM FLANGE



SHEAR STUD DETAILS

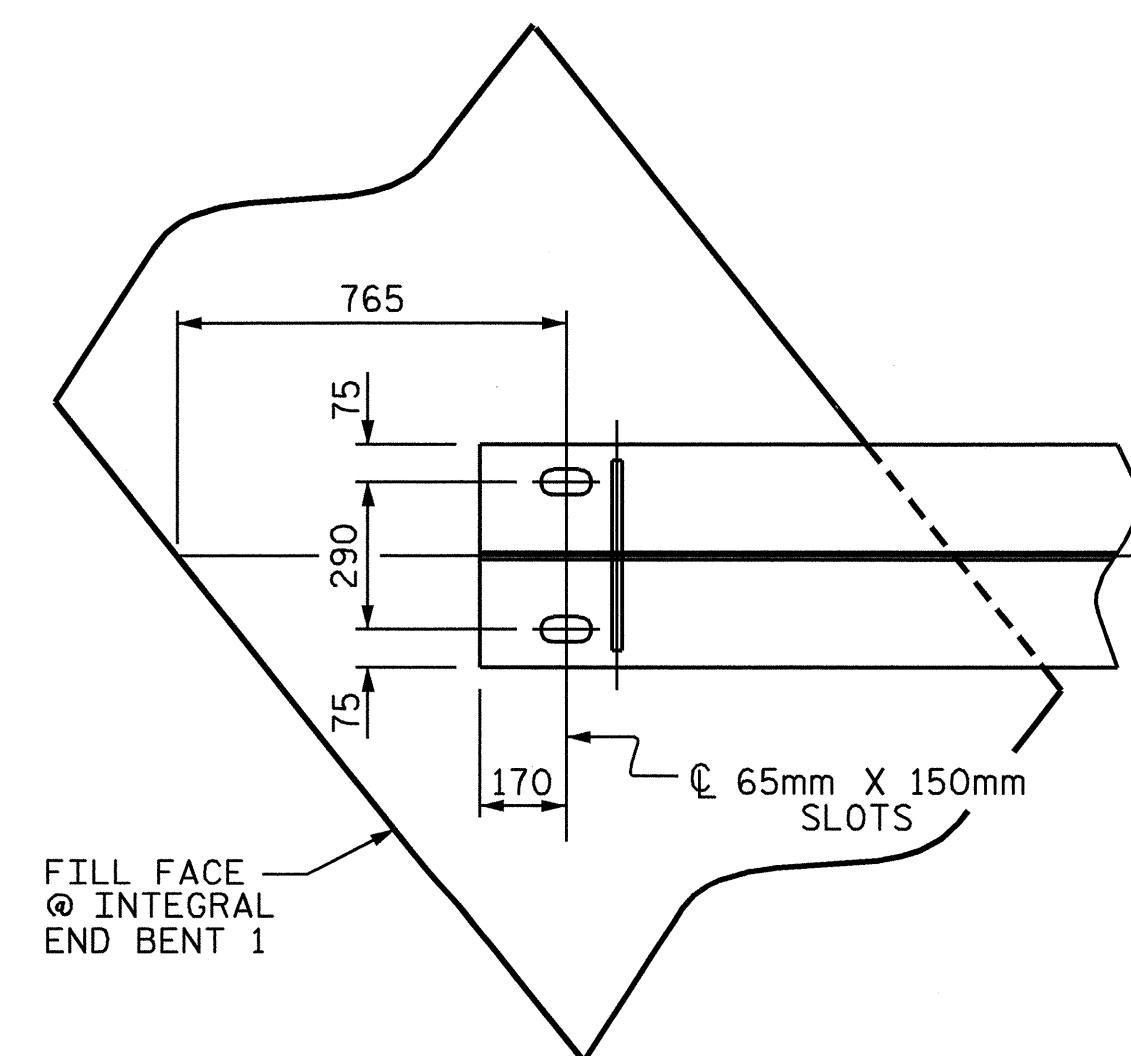


DETAIL "A"
SOLE PLATE DETAILS



TYPICAL FLANGE AND WEB BUTT JOINT

* GRIND SMOOTH AND FLUSH ON OUTER FACE OF EXTERIOR GIRDERS



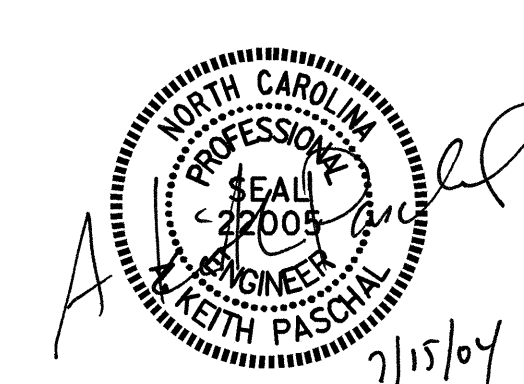
ANCHOR BOLTS SLOT DETAILS

(BOTTOM FLANGE OF GIRDER)

PROJECT NO. B-3256
WAKE COUNTY
 STATION: 12+92.508 -L-

SHEET 1 OF 2

STATE OF NORTH CAROLINA
 DEPARTMENT OF TRANSPORTATION
 RALEIGH
 SUPERSTRUCTURE
 STRUCTURAL STEEL
 DETAILS



DRAWN BY : G.M.P. / K.M.M. DATE : 6/10/03
 CHECKED BY : F.B. POOLE DATE : 10/23/03

15-JUL-2004 11:16
 W:\squadd\B3256\kmcauley\B3256_sd_SS_01.dgn
 kmcauley

REVISIONS				SHEET NO.
NO.	BY:	DATE:	NO.	DATE:
1			3	
2			4	

S-8
 TOTAL SHEETS
 26