

NOTES

METAL RAIL TO END POST CONNECTION

THE METAL RAIL TO END POST CONNECTION SHALL CONSIST OF THE FOLLOWING COMPONENTS :

- A. 12mm PLATES SHALL CONFORM TO AASHTO M270 GRADE 250 AND SHALL BE GALVANIZED AFTER FABRICATION.
- B. 19.05mm STRUCTURAL CONCRETE INSERT SHALL HAVE A WORKING LOAD SHEAR CAPACITY OF 21.4 KN THE FERRULES SHALL ENGAGE A 19.05mm Ø X 41mm BOLT WITH 51mm O.D. WASHER IN PLACE. THE 19.05mm Ø X 41mm BOLT SHALL HAVE N. C. THREADS.
- C. CAP SCREWS FOR RAIL ATTACHMENT TO ANGLE SHALL CONFORM TO THE REQUIREMENTS OF ASTM F593 ALLOY 305 STAINLESS STEEL. CAP SCREWS TO BE CENTERED IN SLOTS AT 16° C. WASHERS FOR RAIL ATTACHMENT SHALL MEET THE REQUIREMENTS OF ASTM F844 EXCEPT THEY SHALL BE MADE FROM ALLOY 304 STAINLESS STEEL.
- D. STANDARD CLAMP BARS ( SEE METAL RAIL SHEET ).

THE COST OF THE STANDARD CLAMP BARS AND CAP SCREWS USED IN THE METAL RAIL TO END POST CONNECTION SHALL BE INCLUDED IN THE UNIT CONTRACT PRICE BID FOR METERS OF 3 BAR METAL RAIL.

THE 19.05mm STRUCTURAL CONCRETE INSERT WITH BOLT SHALL BE ASSEMBLED IN THE SHOP.

THE COST OF THE 19.05mm STRUCTURAL CONCRETE INSERT ASSEMBLY AND THE 12mm PLATES, COMPLETE IN PLACE, SHALL BE INCLUDED IN THE VARIOUS PAY ITEMS.

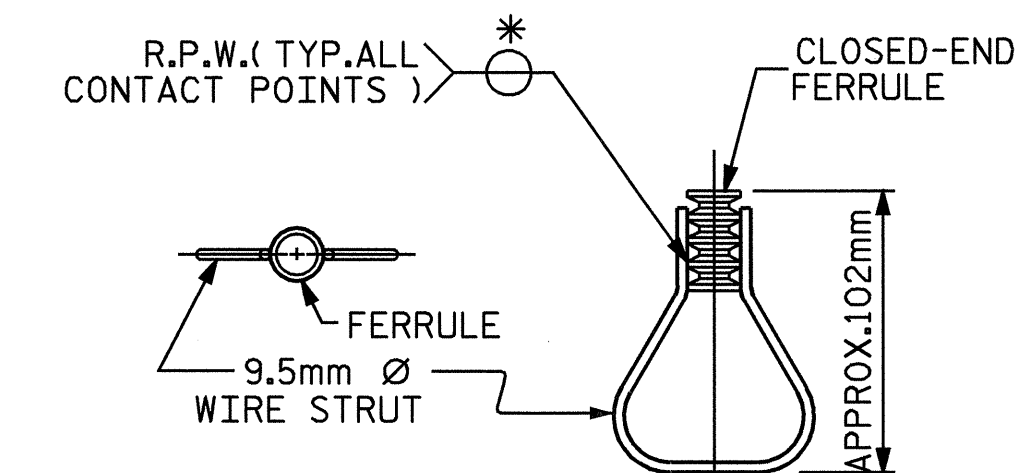
THE CONTRACTOR, AT HIS OPTION, MAY USE AN ADHESIVE BONDING SYSTEM IN LIEU OF THE STRUCTURAL CONCRETE INSERT EMBEDDED IN THE END POST. IF THE ADHESIVE BONDING SYSTEM IS USED, THE 19.05mm Ø X 41mm BOLT WITH WASHER SHALL BE REPLACED WITH A 19.05mm Ø X 165mm BOLT AND 51mm O.D. WASHER. ALL SPECIFICATIONS WHICH APPLY TO THE 19.05mm Ø X 41mm BOLT SHALL APPLY TO THE 19.05mm Ø X 165mm BOLT. SEE SPECIAL PROVISIONS FOR "ADHESIVELY ANCHORED ANCHOR BOLTS OR DOWELS". FIELD TESTING OF THE ADHESIVE BONDING SYSTEM IS NOT REQUIRED.

NOTES

STRUCTURAL CONCRETE INSERT

THE STRUCTURAL CONCRETE INSERT ASSEMBLY SHALL CONSIST OF THE FOLLOWING COMPONENTS:

- A. FERRULES SHALL BE MADE FROM STEEL MEETING THE REQUIREMENTS OF AASHTO M169, GRADE 12L14 AND SHALL HAVE A MINIMUM LENGTH OF THREADS OF 38mm.
- B. 1 - 19.05mm Ø X 41mm BOLT WITH WASHER. BOLT SHALL CONFORM TO THE REQUIREMENTS OF ASTM A307. BOLT AND WASHER SHALL BE GALVANIZED. (AT THE CONTRACTOR'S OPTION, STAINLESS STEEL BOLT AND WASHER MAY BE USED AS AN ALTERNATE FOR THE 19.05mm Ø X 41mm GALVANIZED BOLT AND WASHER. THEY SHALL CONFORM TO OR EXCEED THE MECHANICAL REQUIREMENTS OF ASTM A307. THE USE OF THIS ALTERNATE SHALL BE APPROVED BY THE ENGINEER.)
- C. WIRE STRUT SHOWN IN THE CONCRETE INSERT ASSEMBLY DETAIL IS THE MINIMUM ALLOWABLE SIZE AND SHALL HAVE A MINIMUM TENSILE STRENGTH OF 689 MPa. AS AN OPTION, A 11mm Ø WIRE STRUT WITH A MINIMUM TENSILE STRENGTH OF 620 MPa. IS ACCEPTABLE.



PLAN ELEVATION  
STRUCTURAL CONCRETE INSERT

\* EACH WELDED ATTACHMENT OF WIRE TO FERRULE SHALL DEVELOP THE TENSILE STRENGTH OF THE WIRE.

PROJECT NO. B-3256  
WAKE COUNTY  
STATION: 12+92.508 -L-

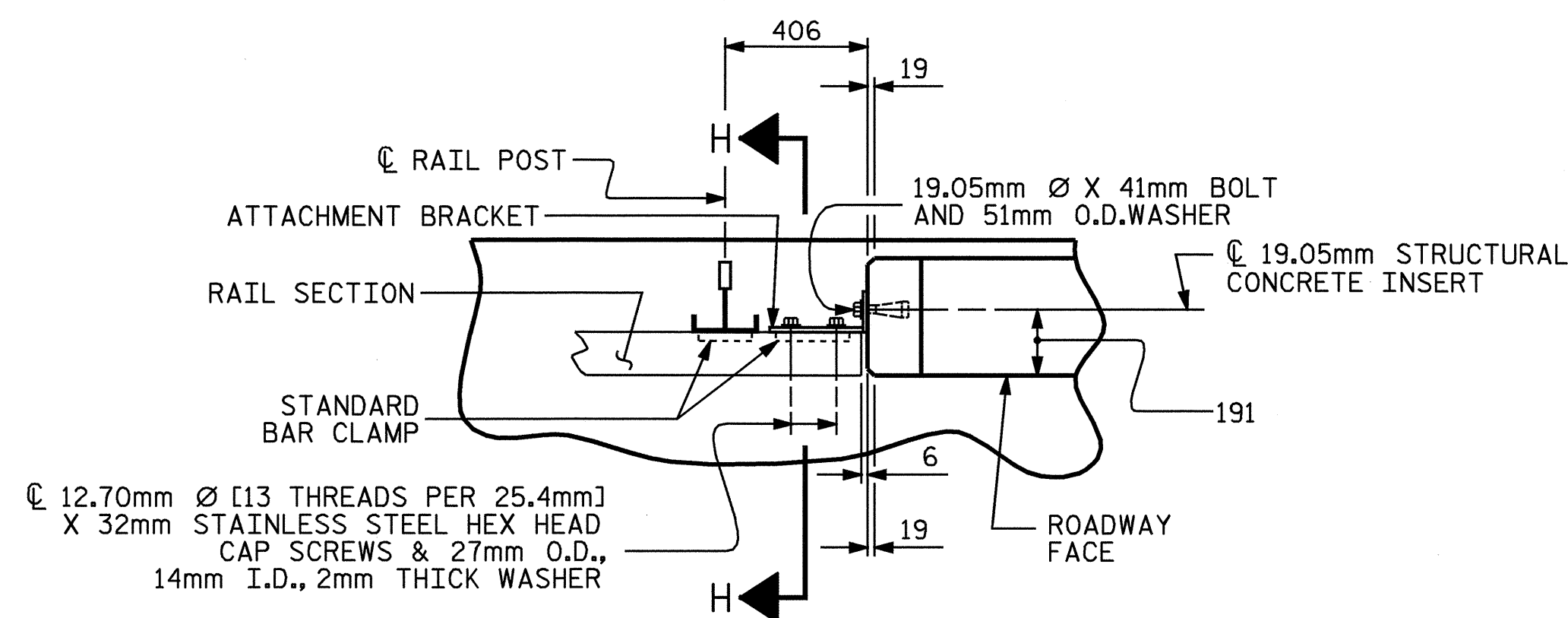
SHEET 3 OF 6

STATE OF NORTH CAROLINA  
DEPARTMENT OF TRANSPORTATION  
RALEIGH

STANDARD  
3 BAR METAL RAIL



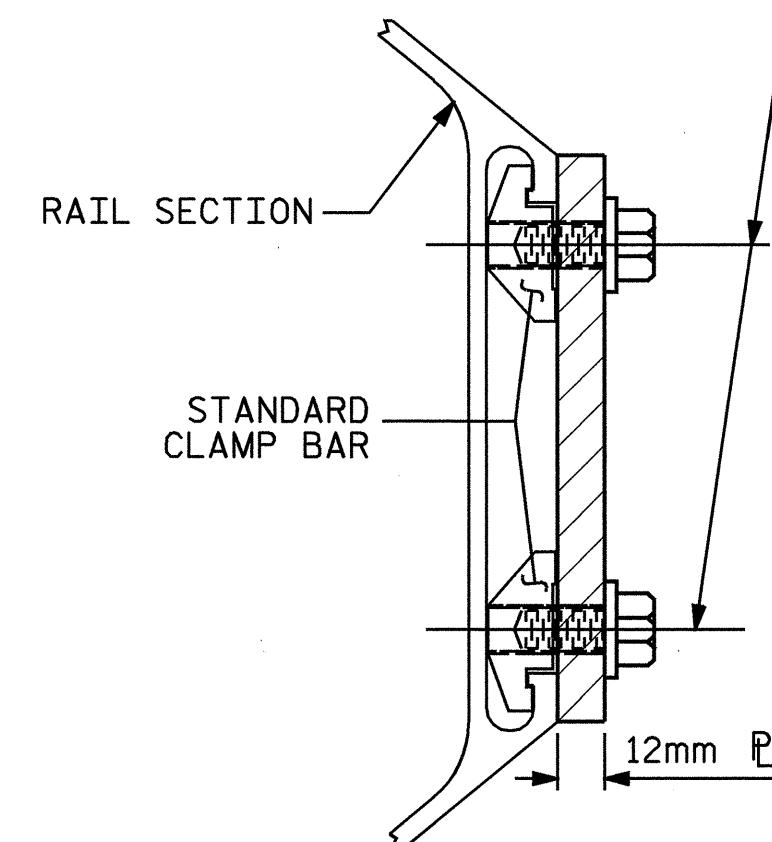
REVISIONS					SHEET NO.
NO.	BY	DATE	NO.	DATE	S-13
1			3		TOTAL SHEETS
2			4		26



PLAN OF RAIL AND END POST

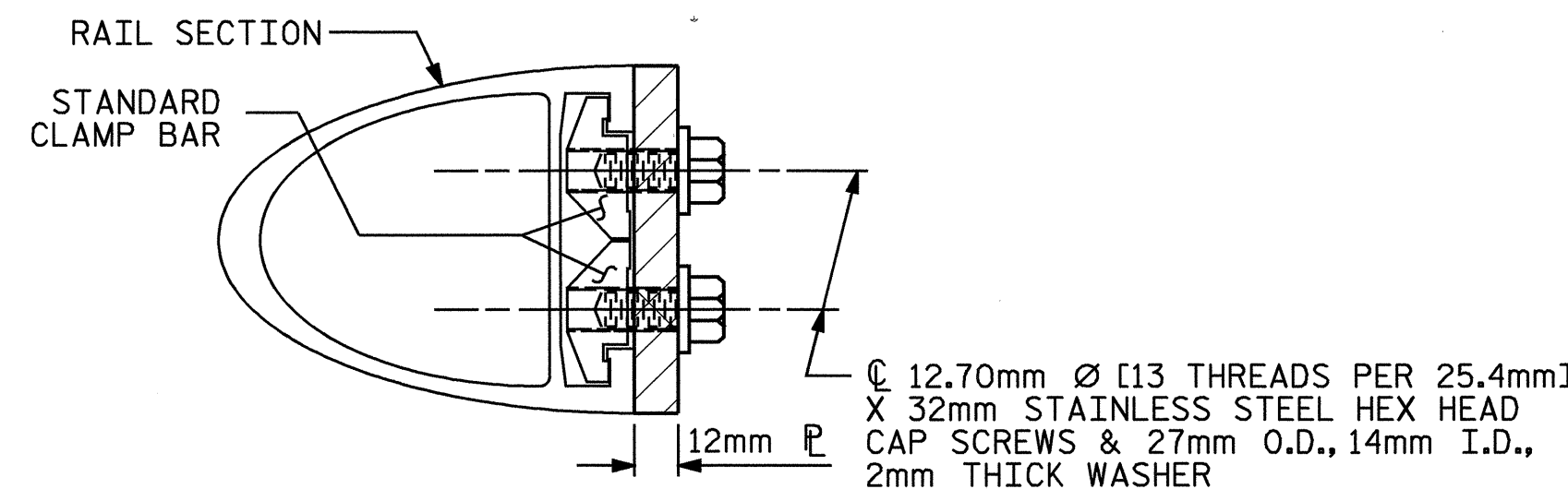
(STIFFENER ON 12mm P NOT SHOWN FOR CLARITY)

Ø 12.70mm Ø [13 THREADS PER 25.4mm] X 32mm STAINLESS STEEL HEX HEAD CAP SCREWS & 27mm O.D., 14mm I.D., 2mm THICK WASHER



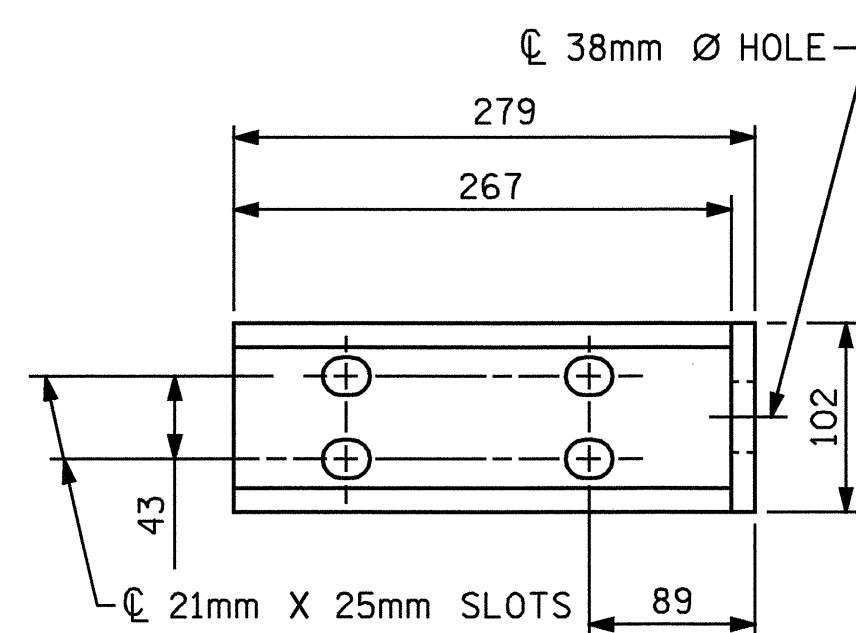
SECTION H-H

(FOR BOTTOM RAIL)

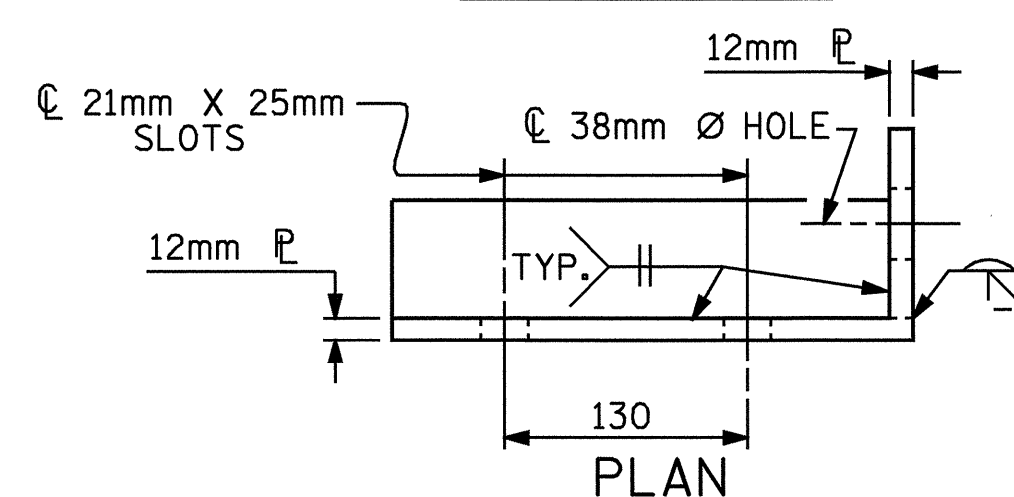


SECTION H-H

(FOR TOP & MIDDLE RAIL)

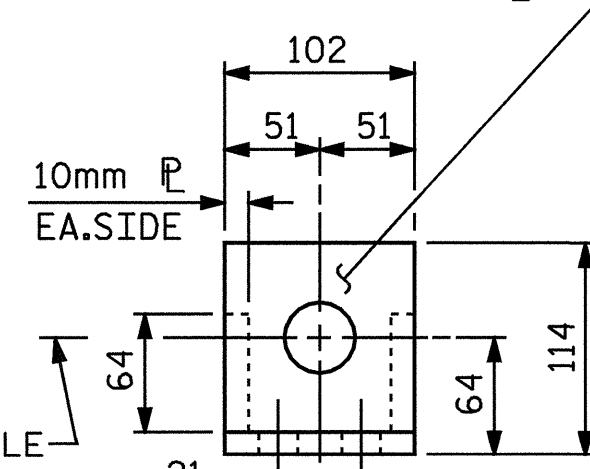


ELEVATION



PLAN

ANGLE TO BE MADE FROM 12mm X 102mm X 280mm P AND 12mm X 102mm X 102mm P

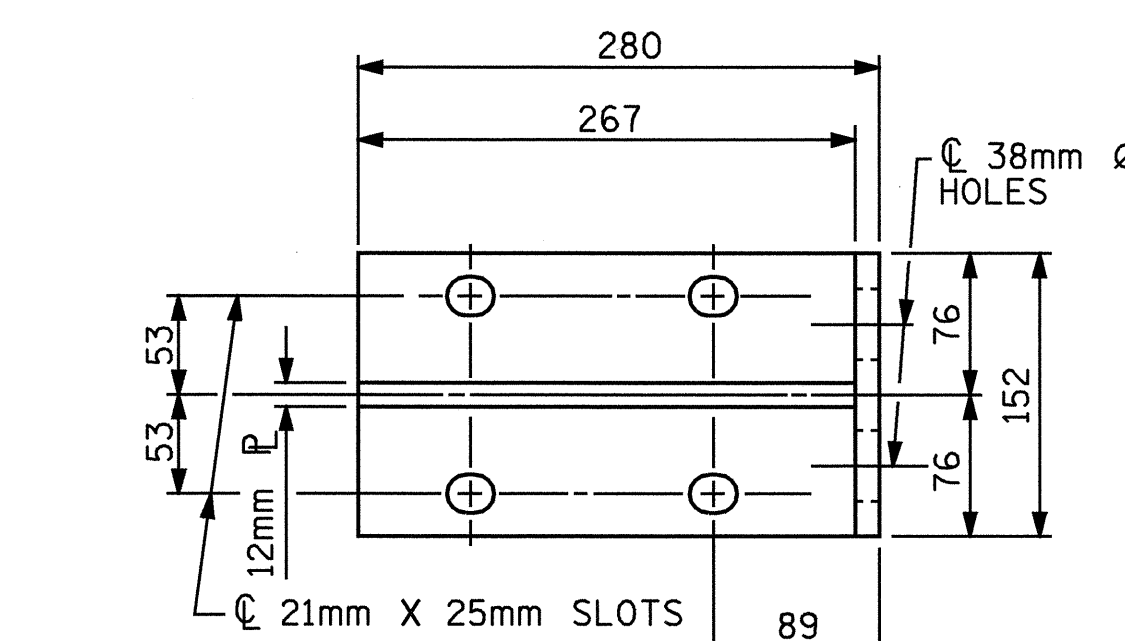


END VIEW

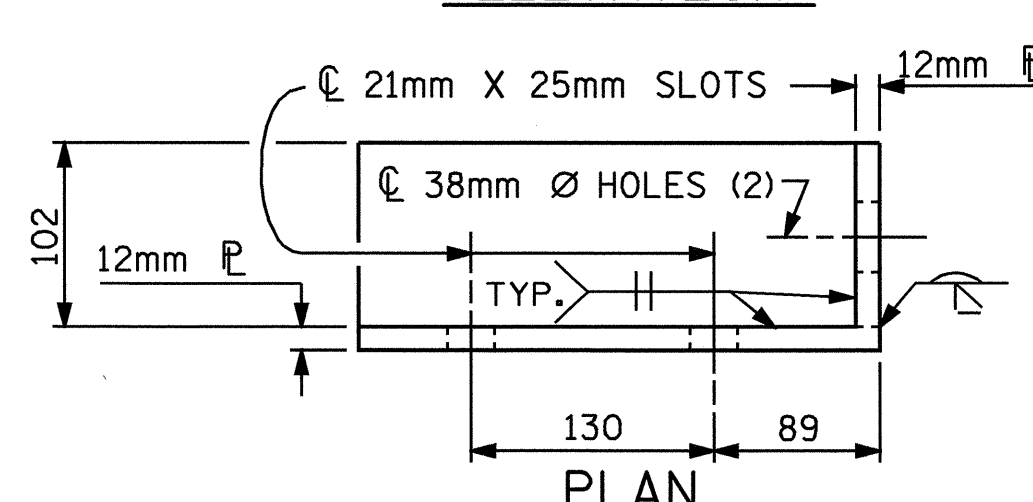
(FIX. AND EXP.)

DETAILS FOR ATTACHMENT BRACKET

(TOP & MIDDLE RAIL ONLY)



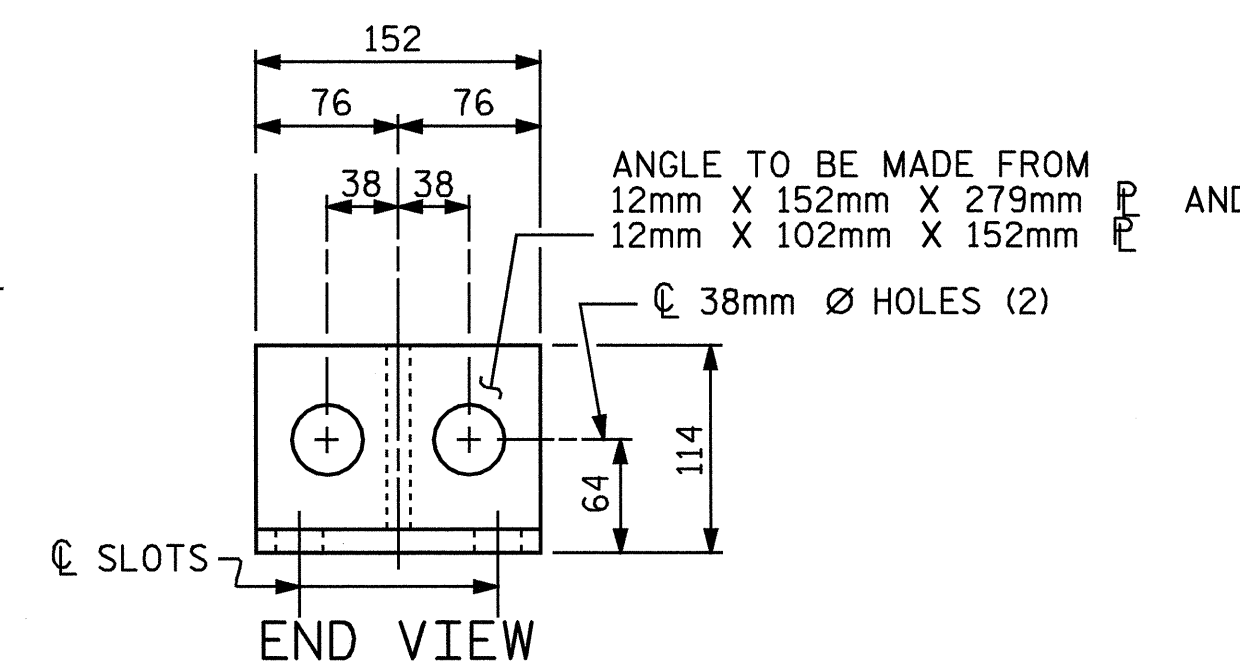
ELEVATION



PLAN

DETAILS FOR ATTACHMENT BRACKET

(BOTTOM RAIL ONLY)



END VIEW

ANGLE TO BE MADE FROM 12mm X 152mm X 279mm P AND 12mm X 102mm X 152mm P

ASSEMBLED BY : G.M.P. / K.M.M.	DATE : 6/12/03
CHECKED BY : F.B. POOLE	DATE : 10/29/03
DRAWN BY : JMB 1/88	REV. 5/16/97 EEM/RGW
CHECKED BY : GCH 1/88	REV. 10/17/00 LES/RDR
	REV. 5/7/03 RWW/JTE