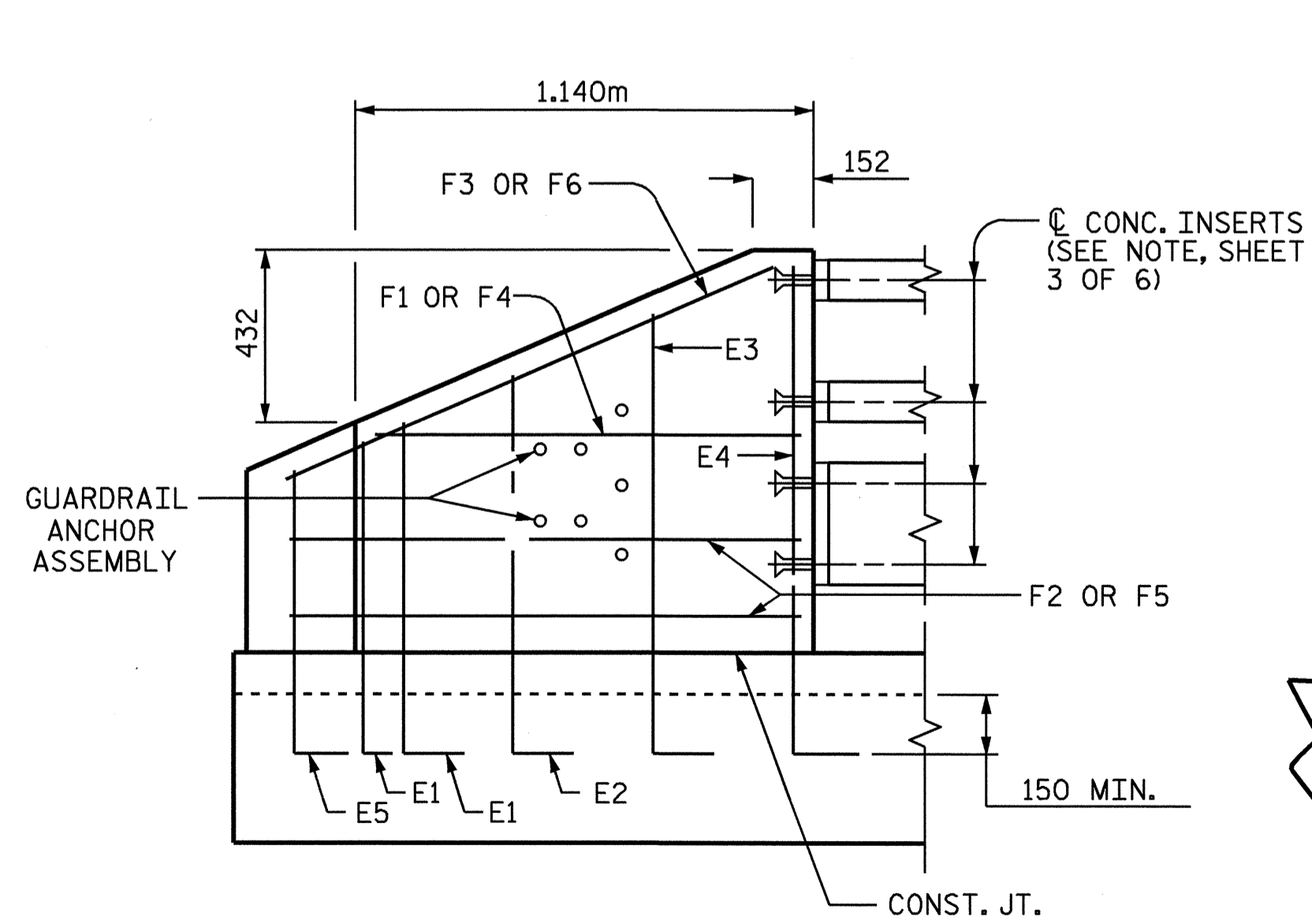
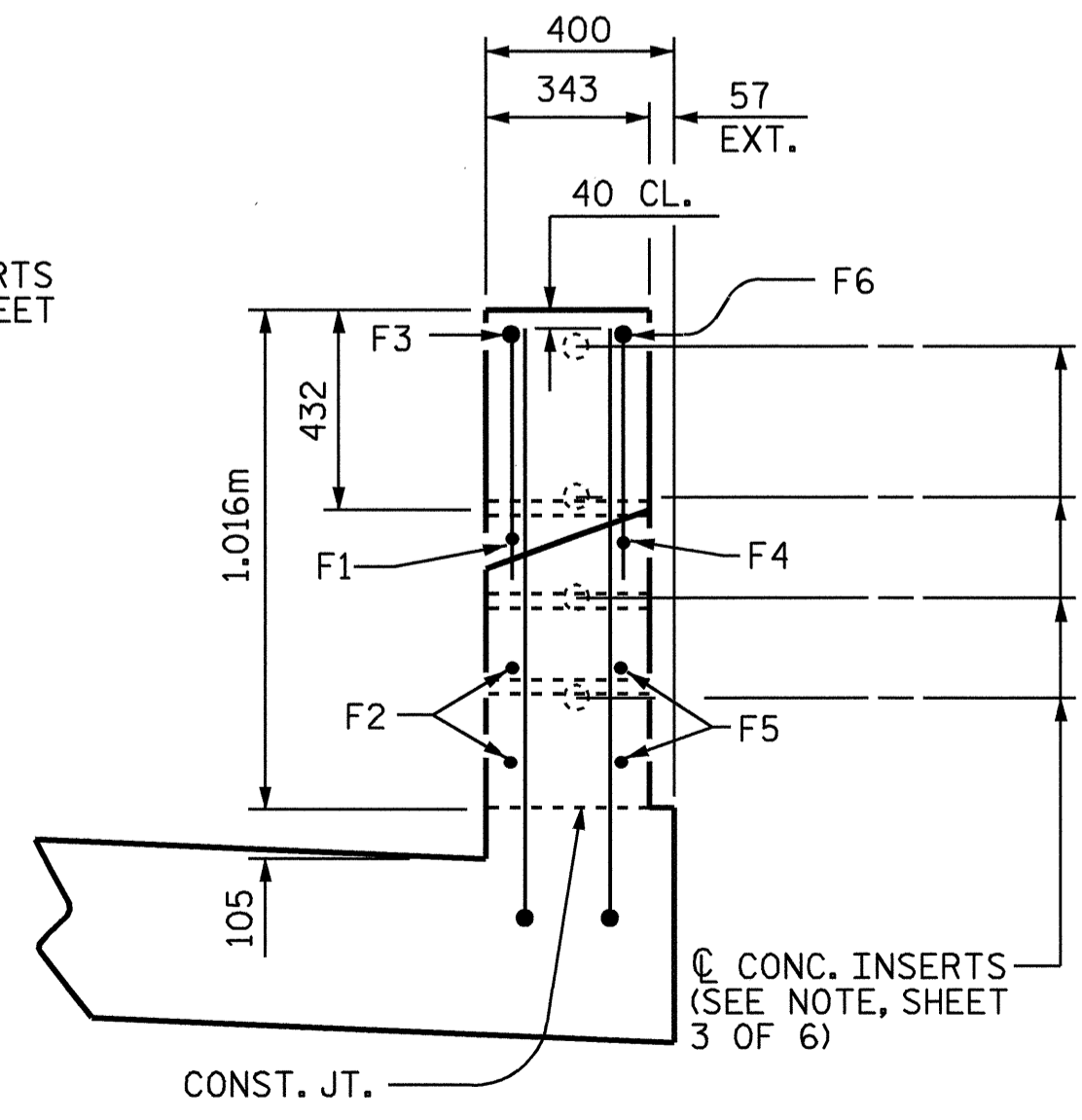


PLAN OF END POST
(END BENT 1 SHOWN, END BENT 2 SIMILAR)

NOTE: REINFORCING STEEL INCLUDED IN "SUPERSTRUCTURE BILL OF MATERIAL" SHEET.



ELEVATION

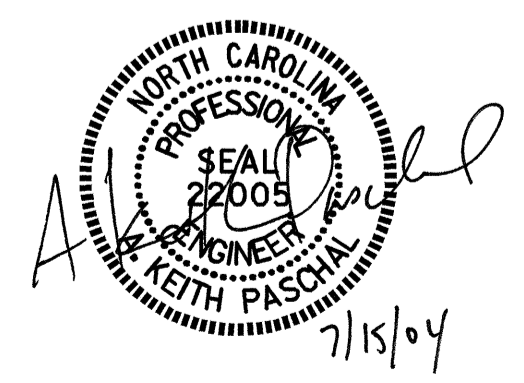


END VIEW

PROJECT NO. B-3256
WAKE COUNTY
 STATION: 12+92.508 -L-

SHEET 4 OF 6

STATE OF NORTH CAROLINA
 DEPARTMENT OF TRANSPORTATION
 RALEIGH
 SUPERSTRUCTURE
 RAIL POST SPACINGS
 AND
 END OF RAIL DETAILS
 FOR THREE BAR METAL RAILS



DRAWN BY: G.M.P. / K.M.M. DATE: 5/28/02
 CHECKED BY: F.B. POOLE DATE: 10/27/03

15-JUL-2004 09:28
 W:\squaddp\b3256\kmccaulley\B3256_sd_BMR_01.dgn
 kmccaulley

REVISIONS						SHEET NO.
NO.	BY:	DATE:	NO.	BY:	DATE:	S-14
1			3			TOTAL SHEETS
2			4			26