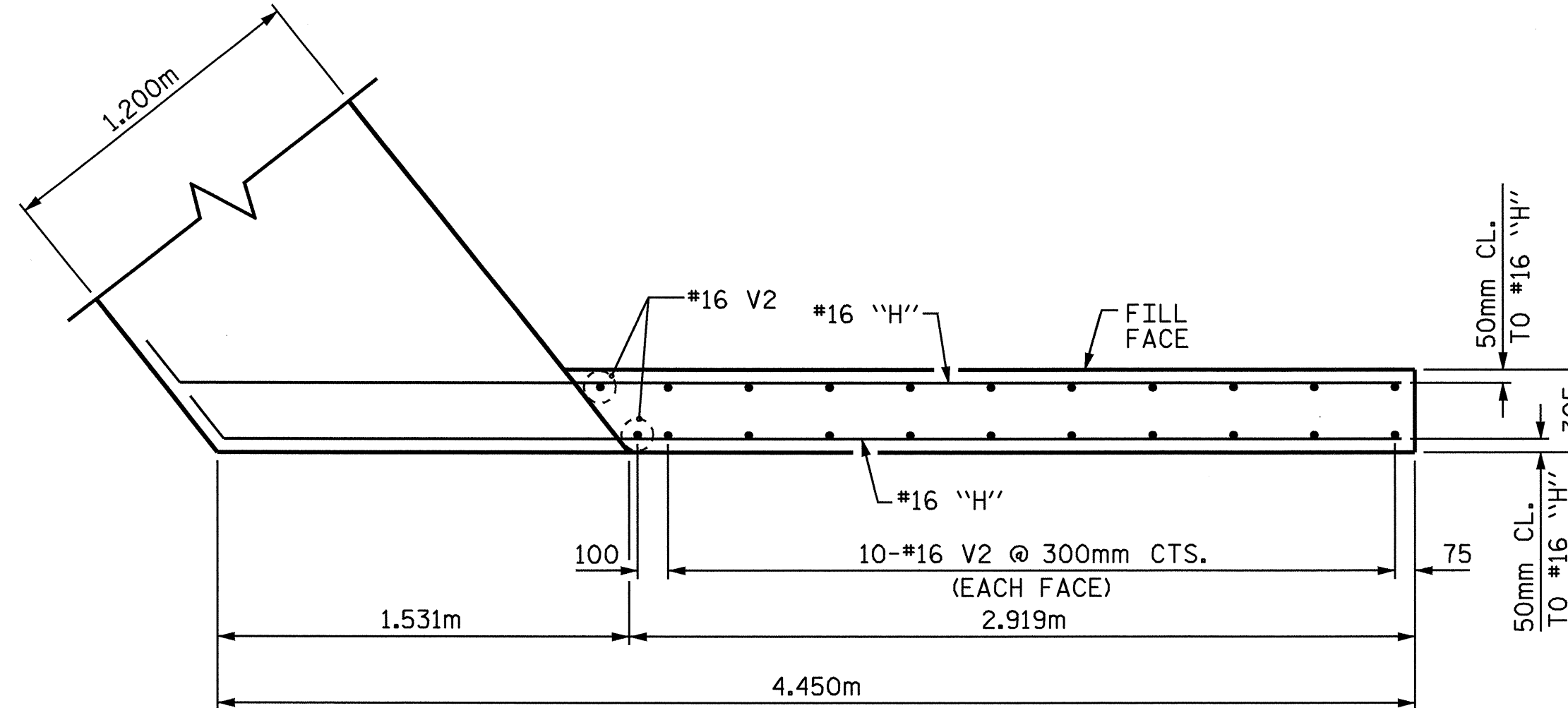
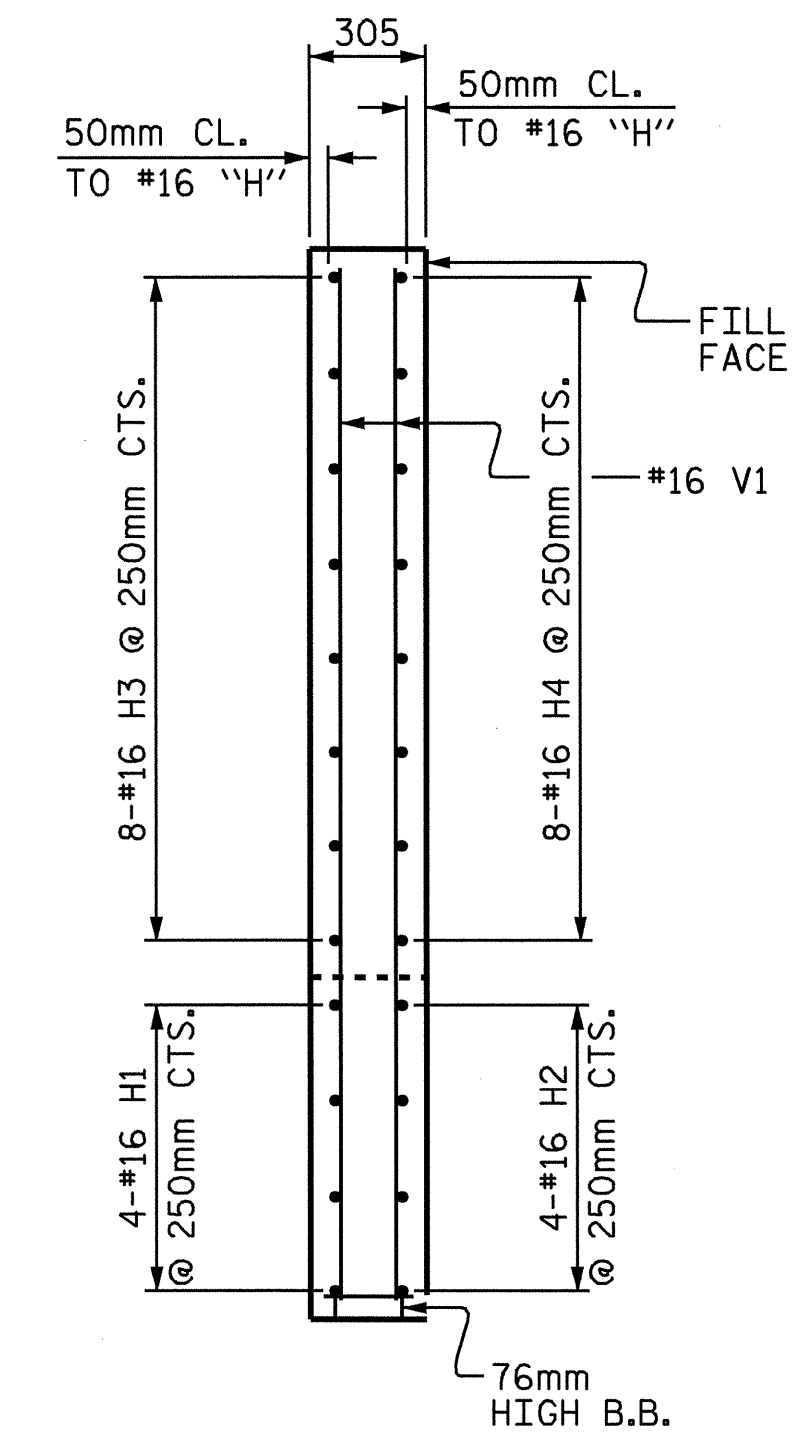


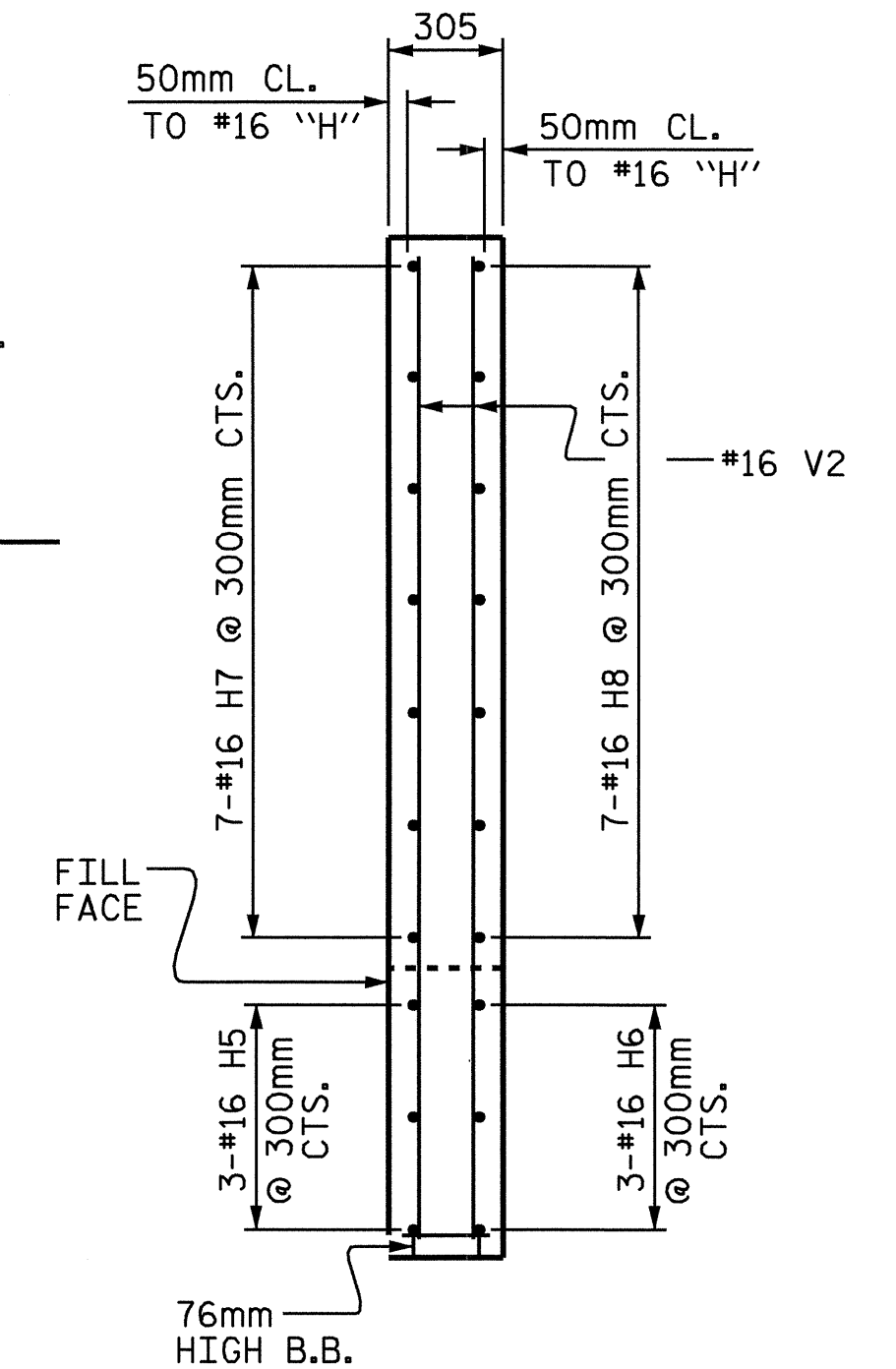
PLAN OF WING 1



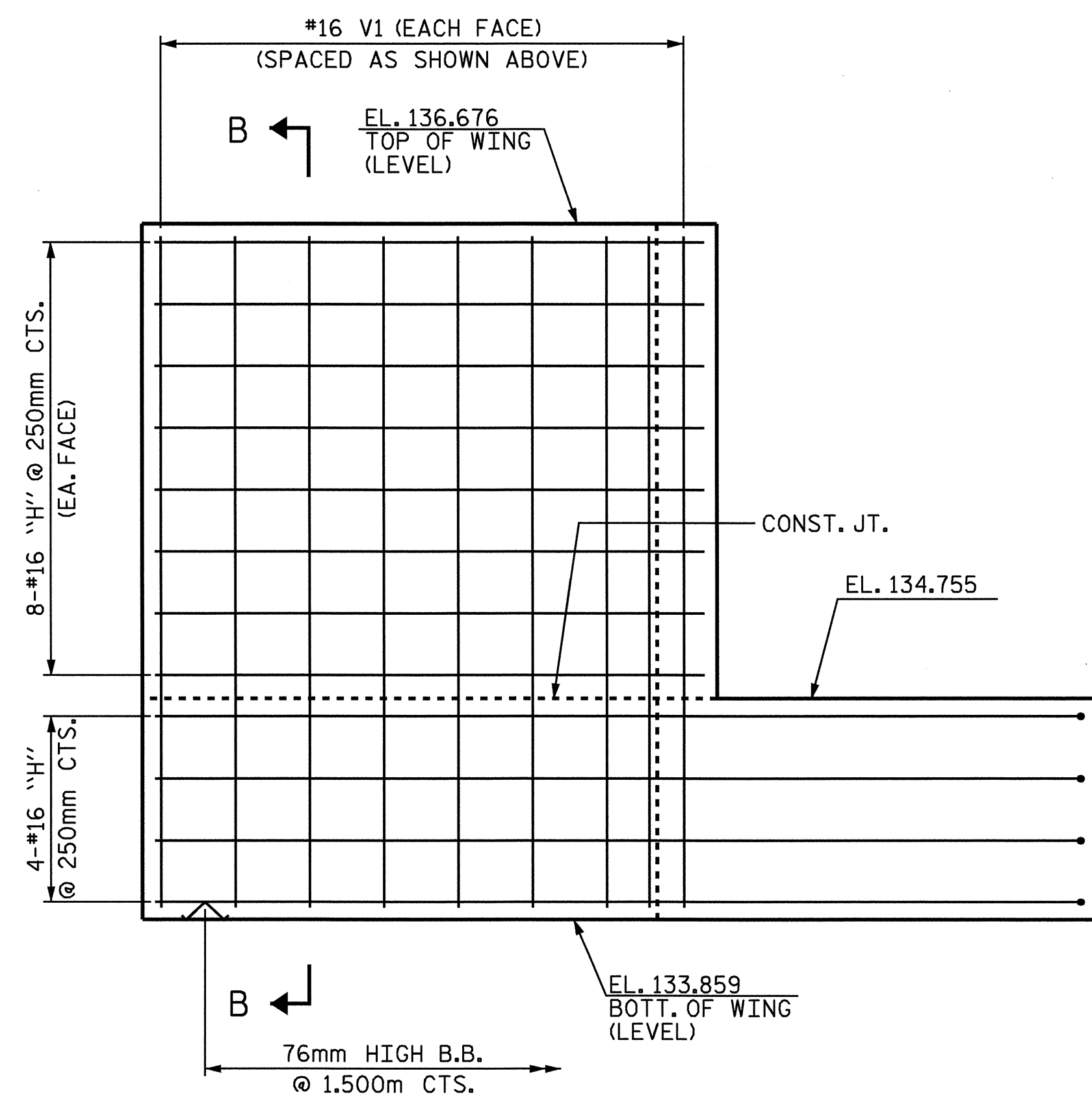
PLAN OF WING 2



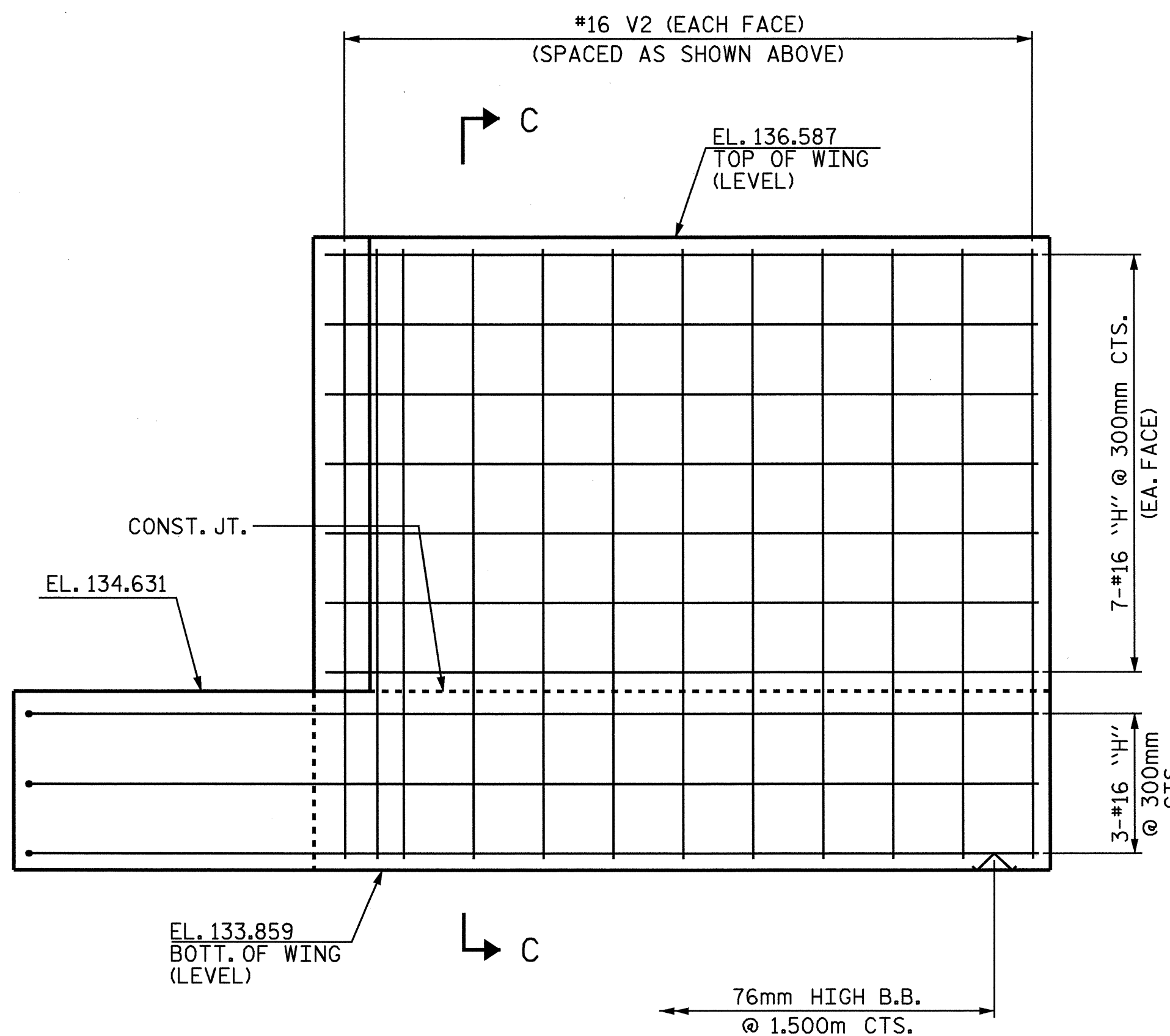
SECTION B-B



SECTION C-C



ELEVATION OF WING 1

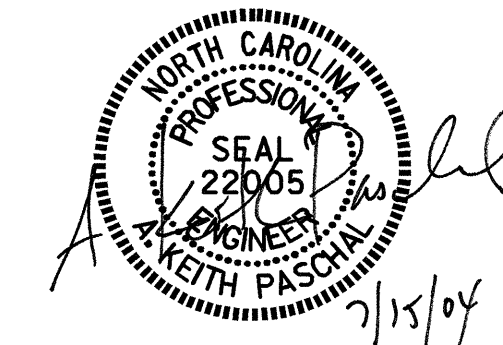


ELEVATION OF WING 2

PROJECT NO. B-3256  
 WAKE COUNTY  
 STATION: 12+92.508 -L-

SHEET 2 OF 3

STATE OF NORTH CAROLINA  
 DEPARTMENT OF TRANSPORTATION  
 RALEIGH  
 SUBSTRUCTURE  
 INTEGRAL END BENT 2



DRAWN BY: K. MCCAULEY DATE: 9/25/03  
 CHECKED BY: F. B. POOLE DATE: 9/25/03

15-JUL-2004 09:27  
 W:\squaddp\b3256\kmcocaulley\B3256\_sd\_E2\_01.dgn  
 kmcocaulley

REVISIONS					SHEET NO.
NO.	BY:	DATE:	NO.	DATE:	S-22
1			3		TOTAL SHEETS
2			4		26