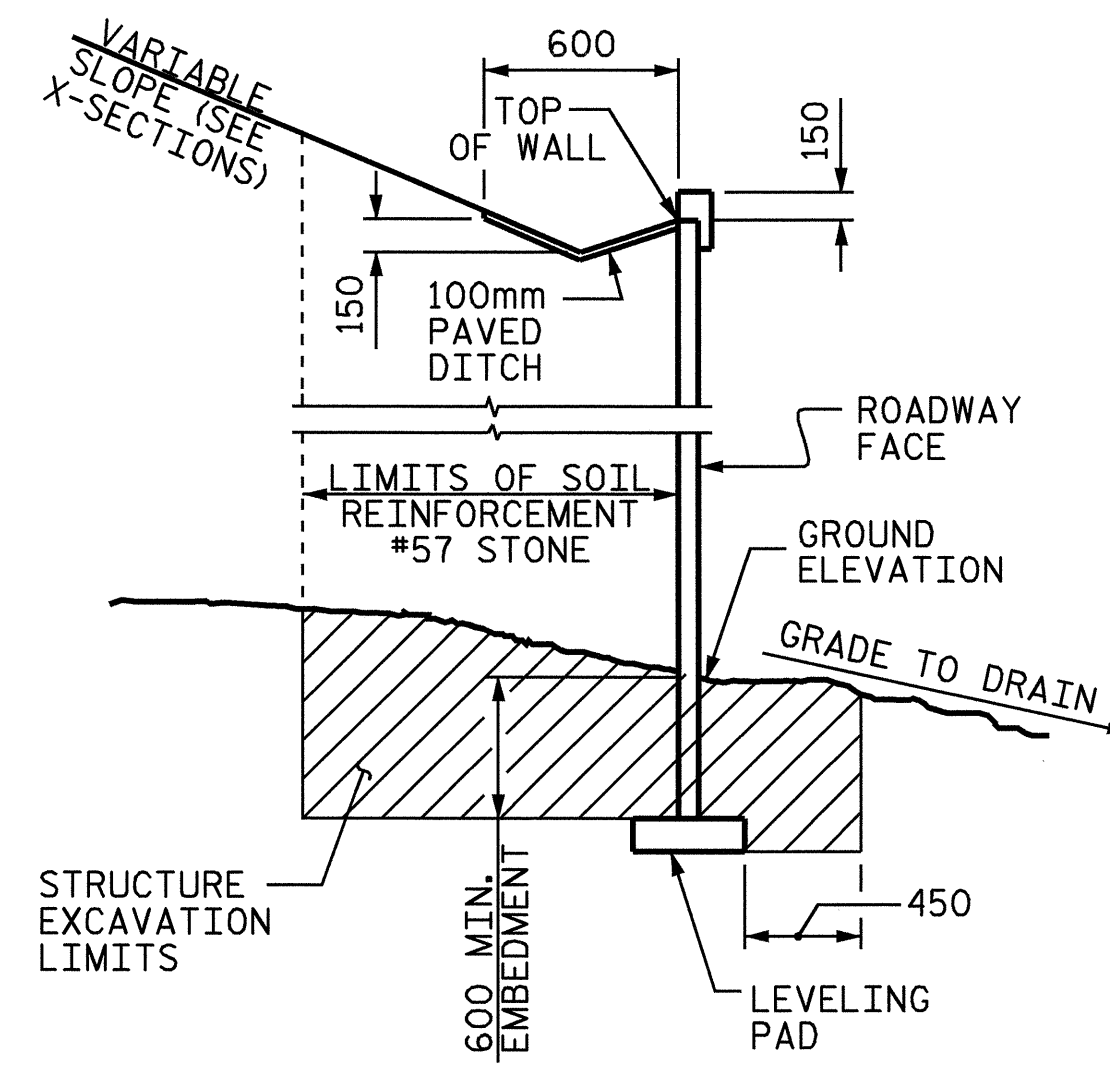
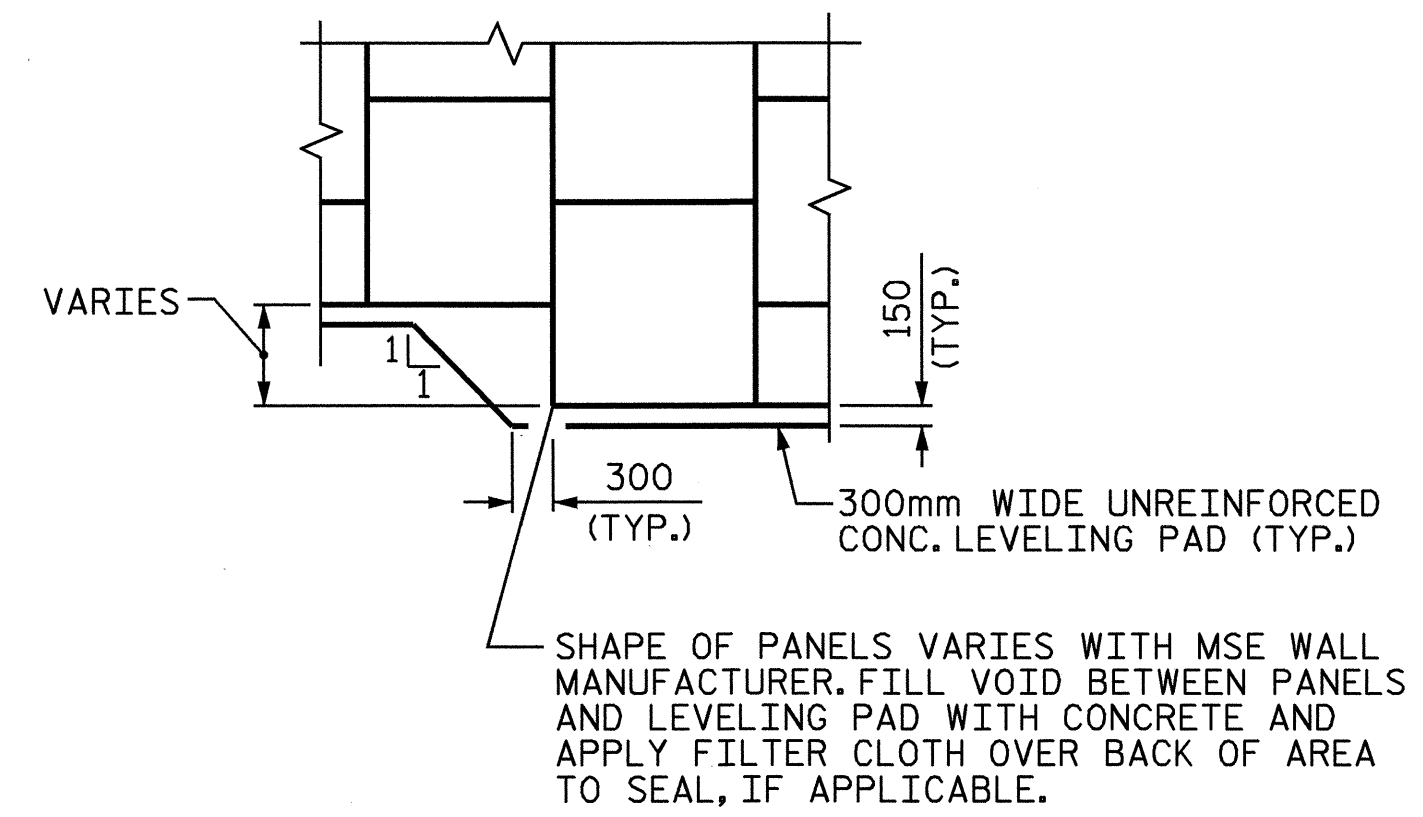


SECTION A-A



SECTION B-B



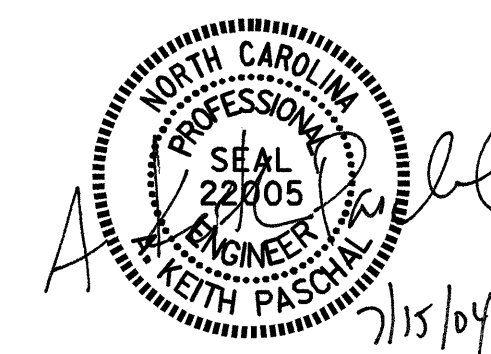
TYPICAL LEVELING PAD  
STEP DETAIL

PROJECT NO. B-3256  
WAKE COUNTY  
STATION: 12+92.508 -L-

SHEET 4 OF 4

STATE OF NORTH CAROLINA  
DEPARTMENT OF TRANSPORTATION  
RALEIGH

MSE WALL DETAILS



DRAWN BY : K. McCAULEY DATE : 11/25/03  
CHECKED BY : A. K. PASCHAL DATE : 12/29/03

15-JUL-2004 09:27  
W:\sq\adp\b3256\kccauley\B3256..sd\_RW.01.dgn  
kccauley

REVISIONS					SHEET NO.
NO.	BY:	DATE:	NO.	DATE:	W-4
1			3		TOTAL SHEETS
2			4		4