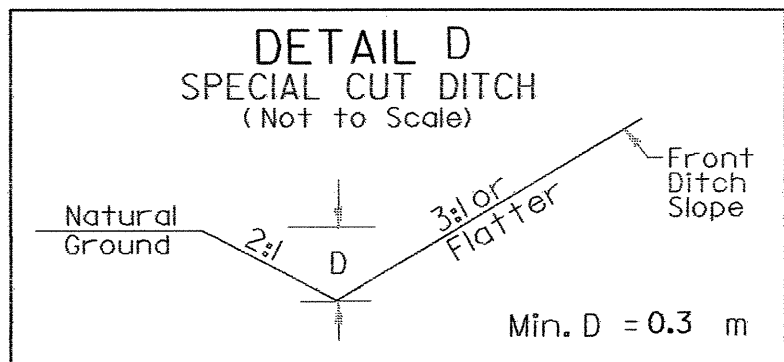
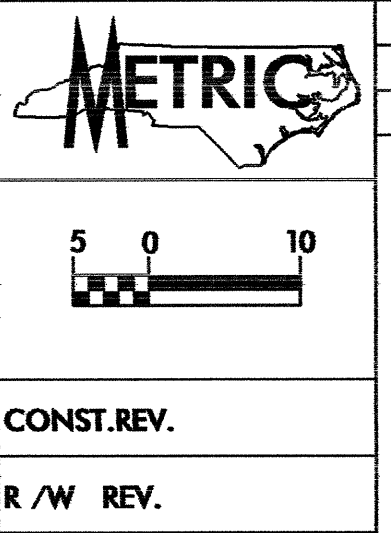


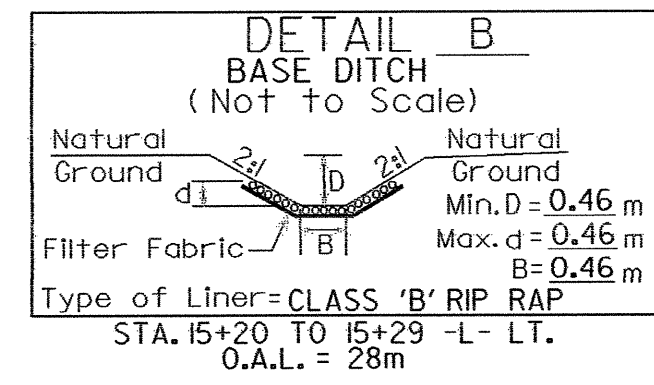
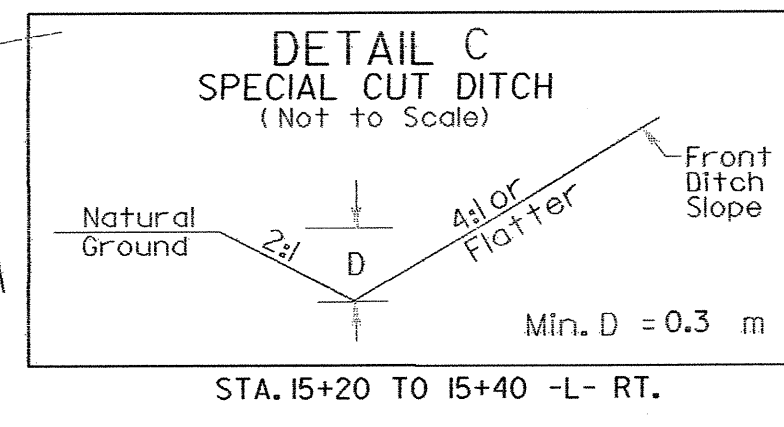
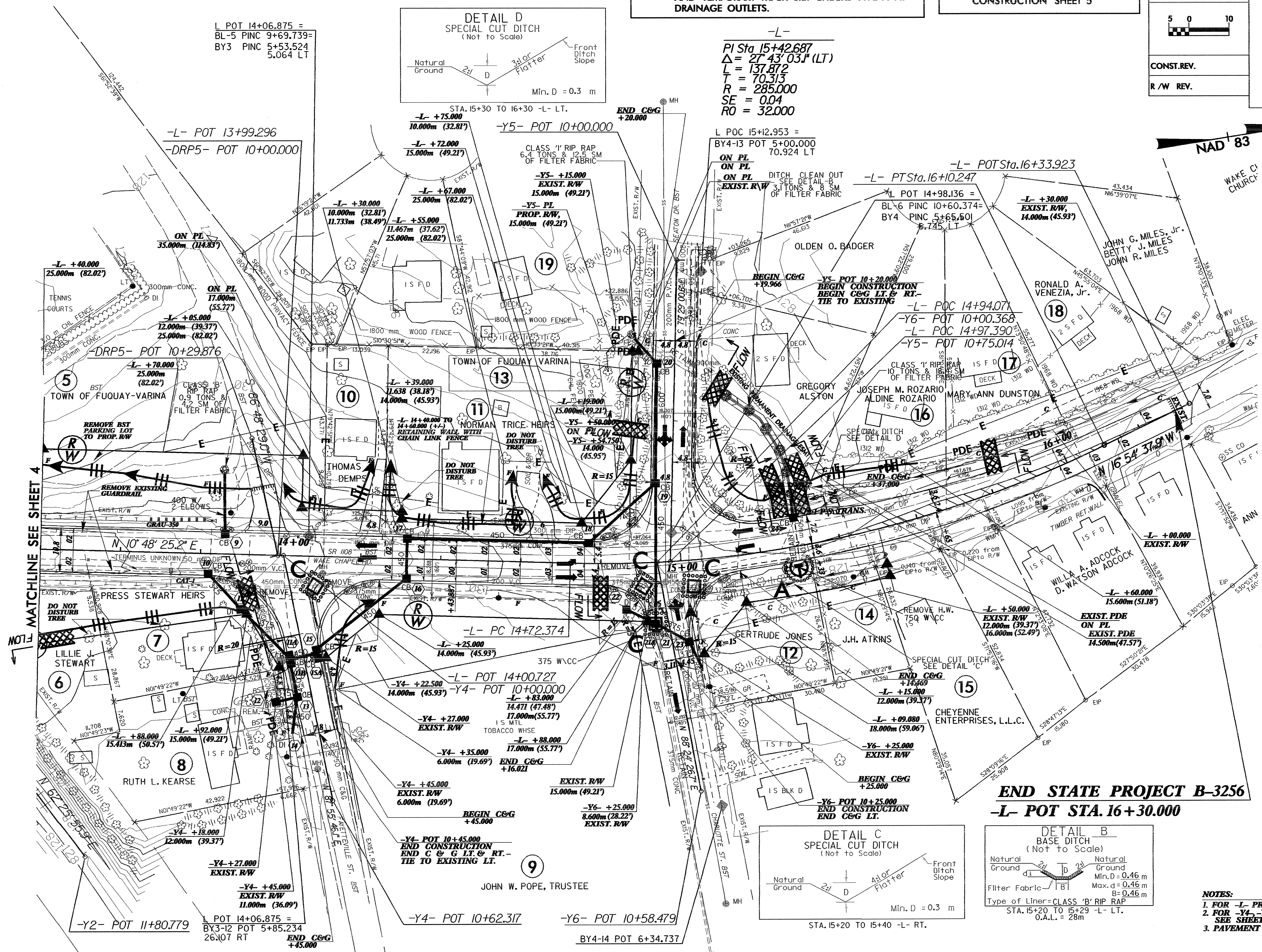
PROJECT REFERENCE NO.		SHEET NO.	
B-3256		BC-4CONST5	
R/W SHEET NO.		HYDRAULICS ENGINEER	
ROADWAY DESIGN ENGINEER		CONST.REV.	
		R/W REV.	

NOTE: PLACE TEMPORARY ROCK SEDIMENT DAMS TYPE-B AND TEMPORARY ROCK SILT CHECKS TYPE-A AT DRAINAGE OUTLETS.

CLEARING AND GRUBBING EROSION CONTROL FOR CONSTRUCTION SHEET 5



-L-
 PI Sta 15+42.687
 $\Delta = 27' 43.03''$ (LT)
 $L = 137.872$
 $R = 70.315$
 $SE = 0.04$
 $RO = 32.000$



- NOTES:
1. FOR -L- PROFILE SEE SHEET NO. 6
 2. FOR -Y4-, -Y5- AND -Y6- PROFILES SEE SHEET NO. 7
 3. PAVEMENT STRIPING

END STATE PROJECT B-3256
 -L- POT STA. 16+30.000

NAD 83

MATCHLINE SEE SHEET 4