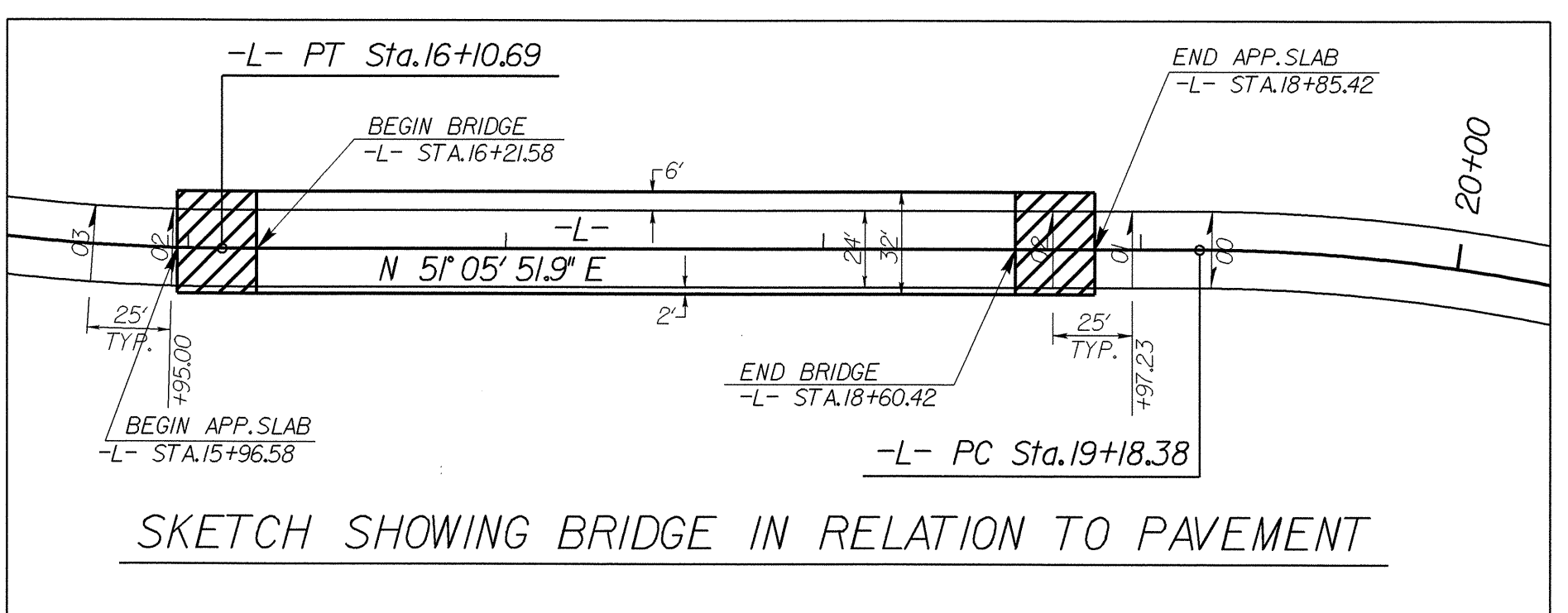


UTILITIES BY OTHERS

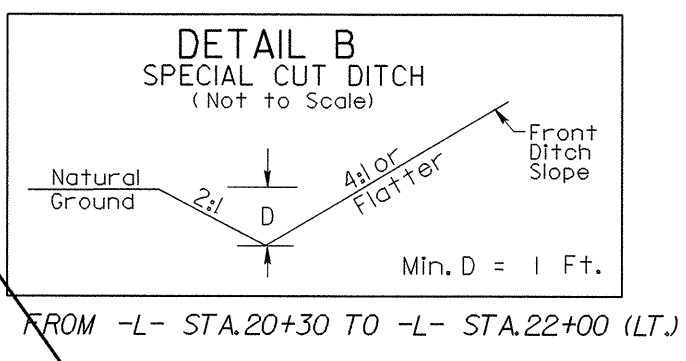
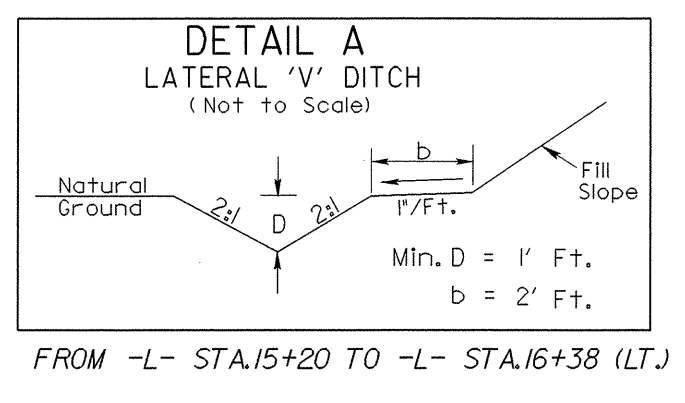
NOTE:
ALL PROPOSED UTILITY WORK
SHOWN ON THIS SHEET WILL
BE DONE BY OTHERS

DATUM DESCRIPTION
THE LOCALIZED COORDINATE SYSTEM DEVELOPED FOR THIS PROJECT IS BASED ON THE STATE PLANE COORDINATES ESTABLISHED BY NCGS FOR MONUMENT "MAP" WITH NAD 83 STATE PLANE GRID COORDINATES OF NORTHING: 680767.2113(ft) EASTING: 1825346.1131(ft) THE AVERAGE COMBINED GRID FACTOR USED ON THIS PROJECT (GROUND TO GRID) IS: .99987482 THE N.C. LAMBERT GRID BEARING AND LOCALIZED HORIZONTAL GROUND DISTANCE FROM "MAP" TO -L- STATION 12+00.00 IS N 30°39'34.47" E 3318.54 FT. ALL LINEAR DIMENSIONS ARE LOCALIZED HORIZONTAL DISTANCES VERTICAL DATUM USED IS NGVD 29

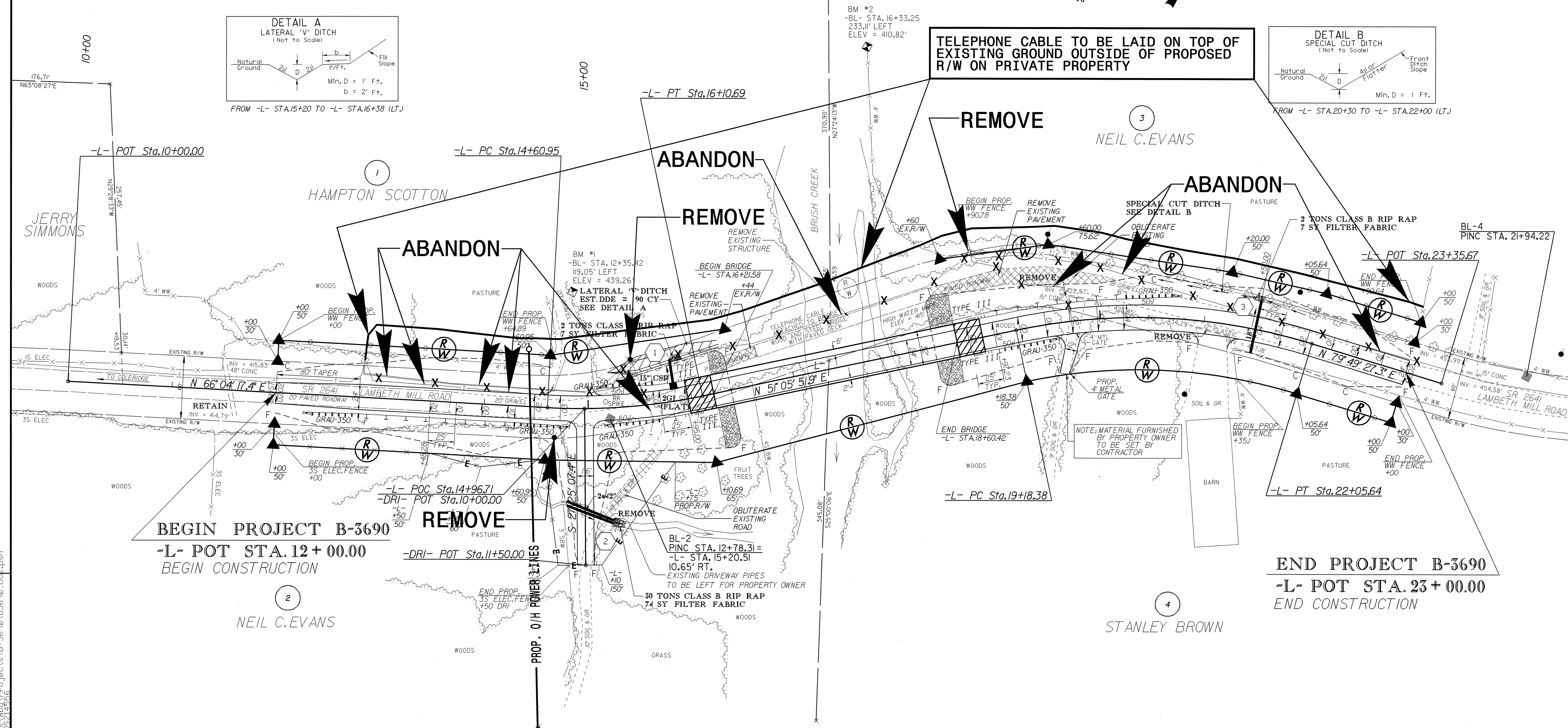


PI Sta 15+36.25 Δ = 14° 58' 25.5" (LT) D = 10' 00" 00.0" L = 149.74' T = 75.30' R = 572.96' SE = SEE PLANS
PI Sta 20+65.10 Δ = 28° 43' 35.4" (RT) D = 10' 00" 00.0" L = 287.27' T = 146.72' R = 572.96' SE = SEE PLANS

* DESIGN EXCEPTION REQUIRED FOR SUPERELEVATION



TELEPHONE CABLE TO BE LAID ON TOP OF EXISTING GROUND OUTSIDE OF PROPOSED R/W ON PRIVATE PROPERTY



BEGIN PROJECT B-3690
-L- POT STA. 12+00.00
BEGIN CONSTRUCTION

END PROJECT B-3690
-L- POT STA. 23+00.00
END CONSTRUCTION

NOTES: (1) ALL DRIVEWAY RADII ARE 10' UNLESS SHOWN OTHERWISE
(2) SEE SHEET 5 FOR PROFILE -L- & -DRI-
(3) SEE SHEETS S-1 TO S-37 FOR STRUCTURE PLANS

09-JUN-2004 09:56 M:\Utilities\psh\Projects\B-3690\B3690-UO2.psh
8/17/99
REVISIONS