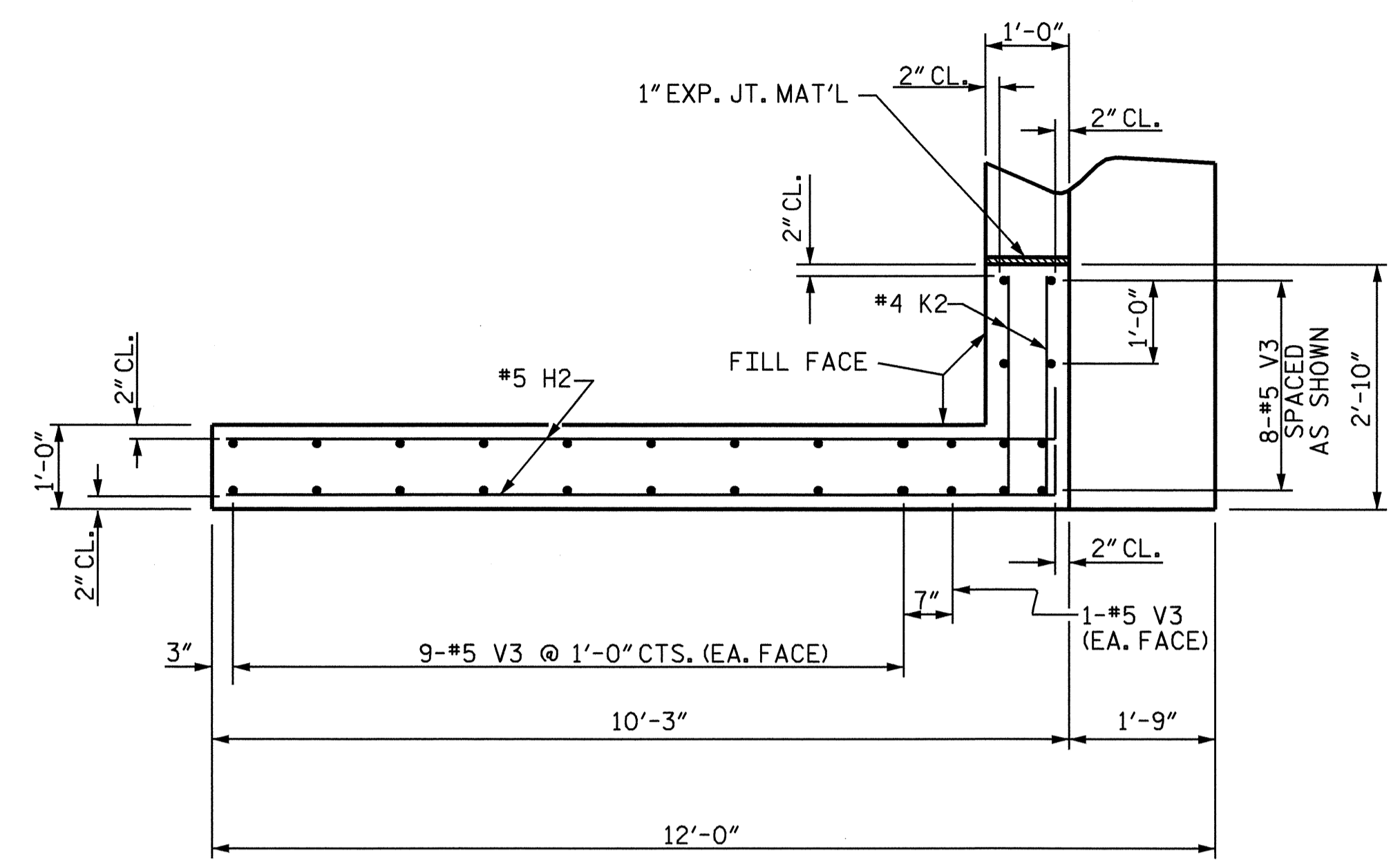
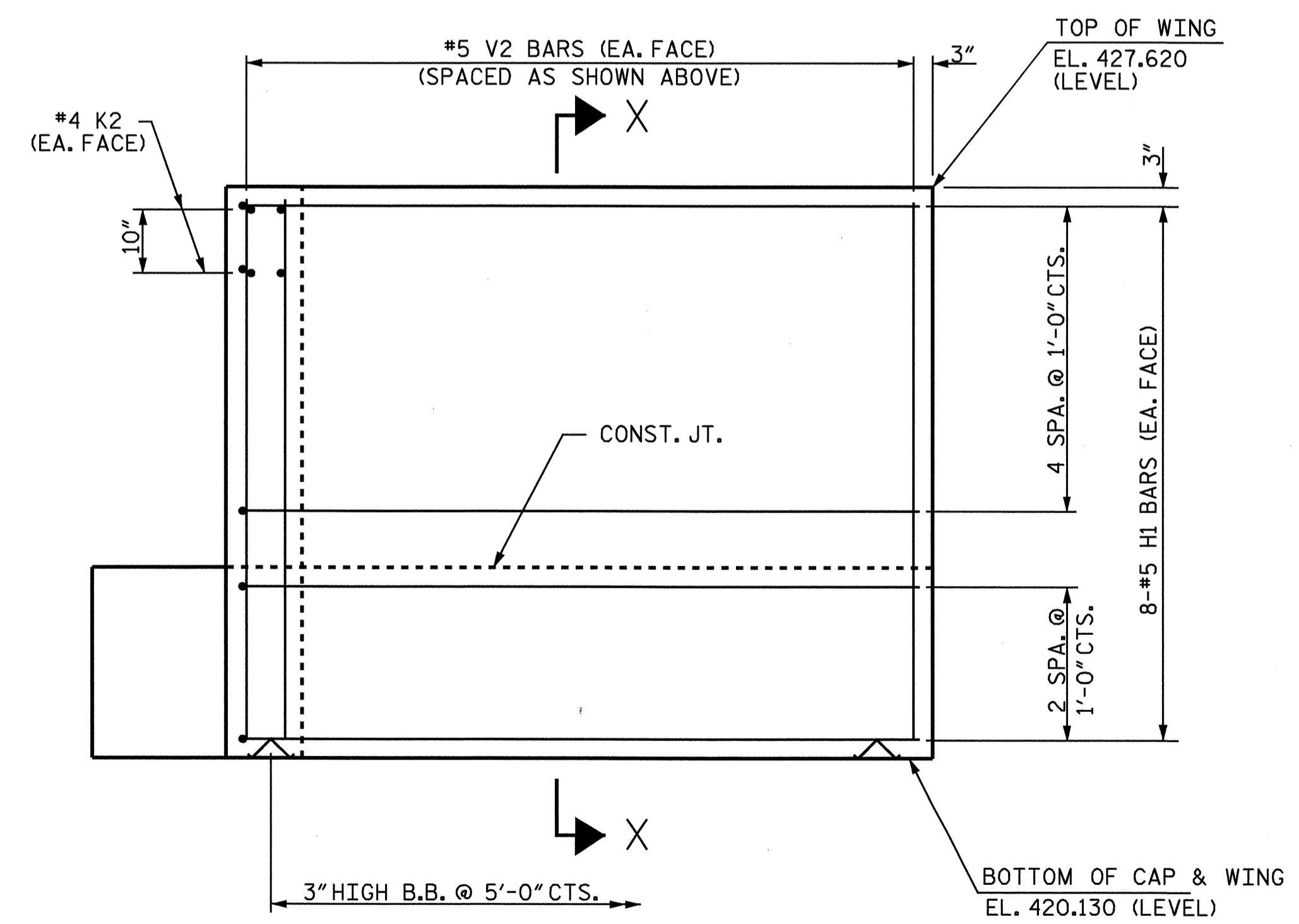


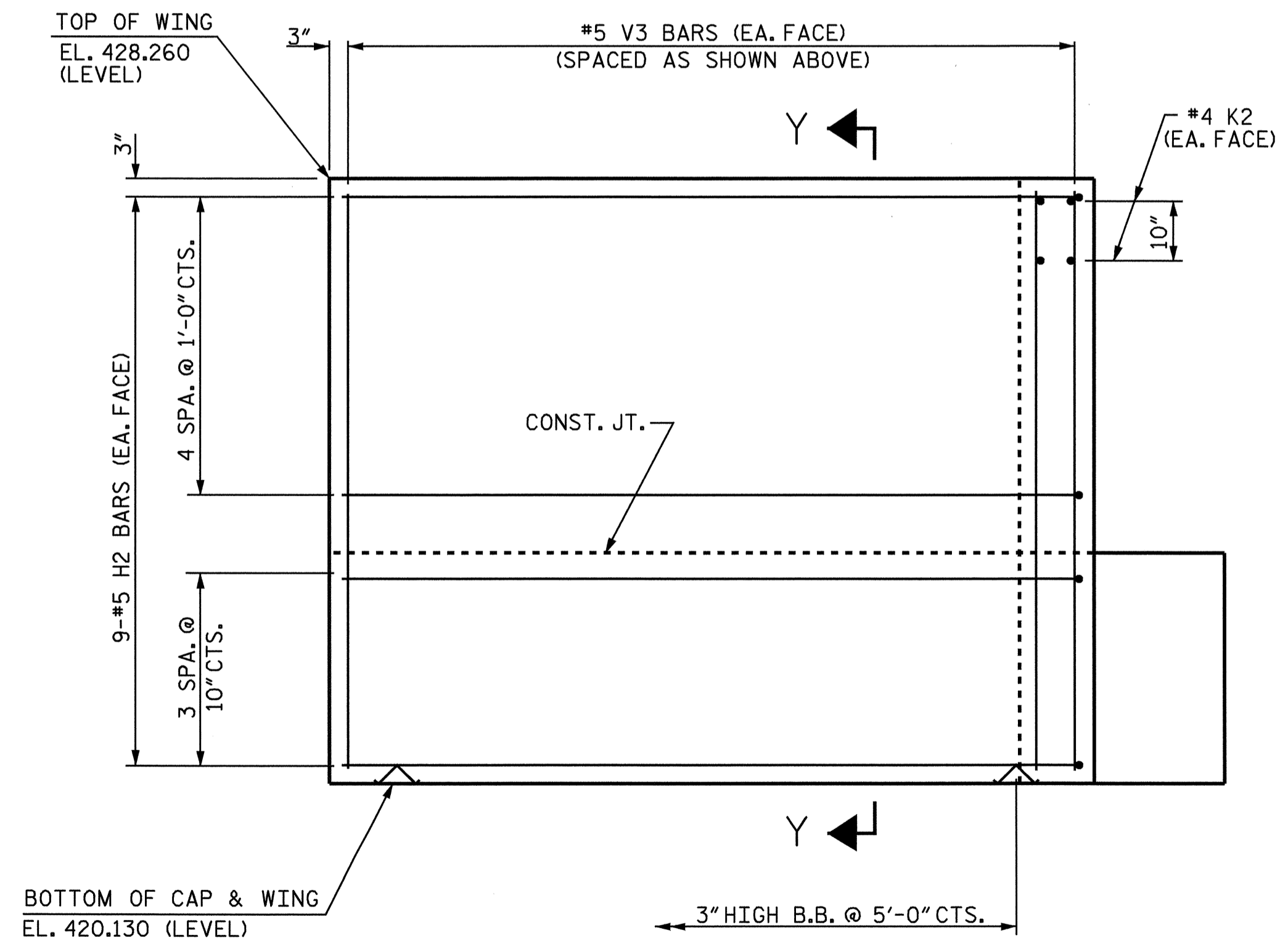
PLAN OF WING (W1)



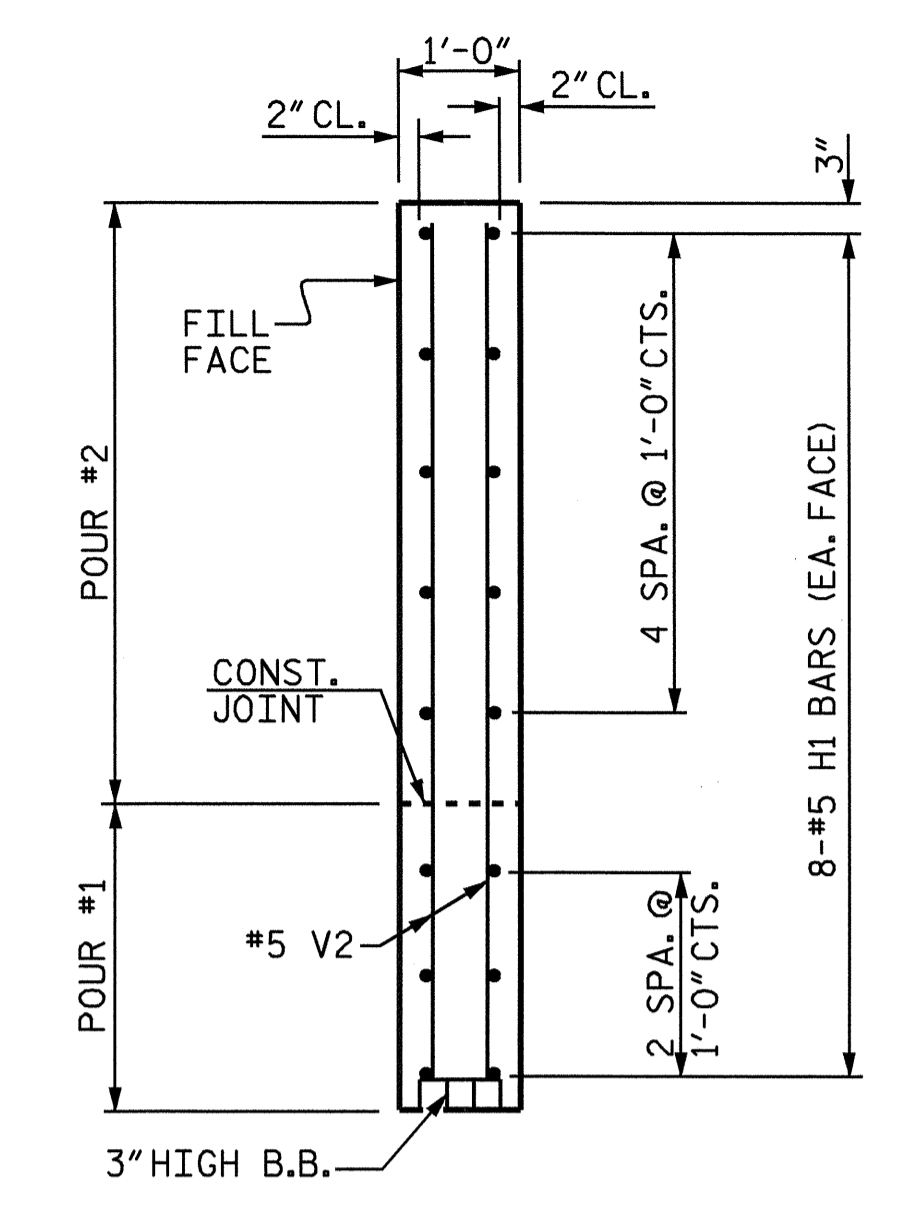
PLAN OF WING (W2)



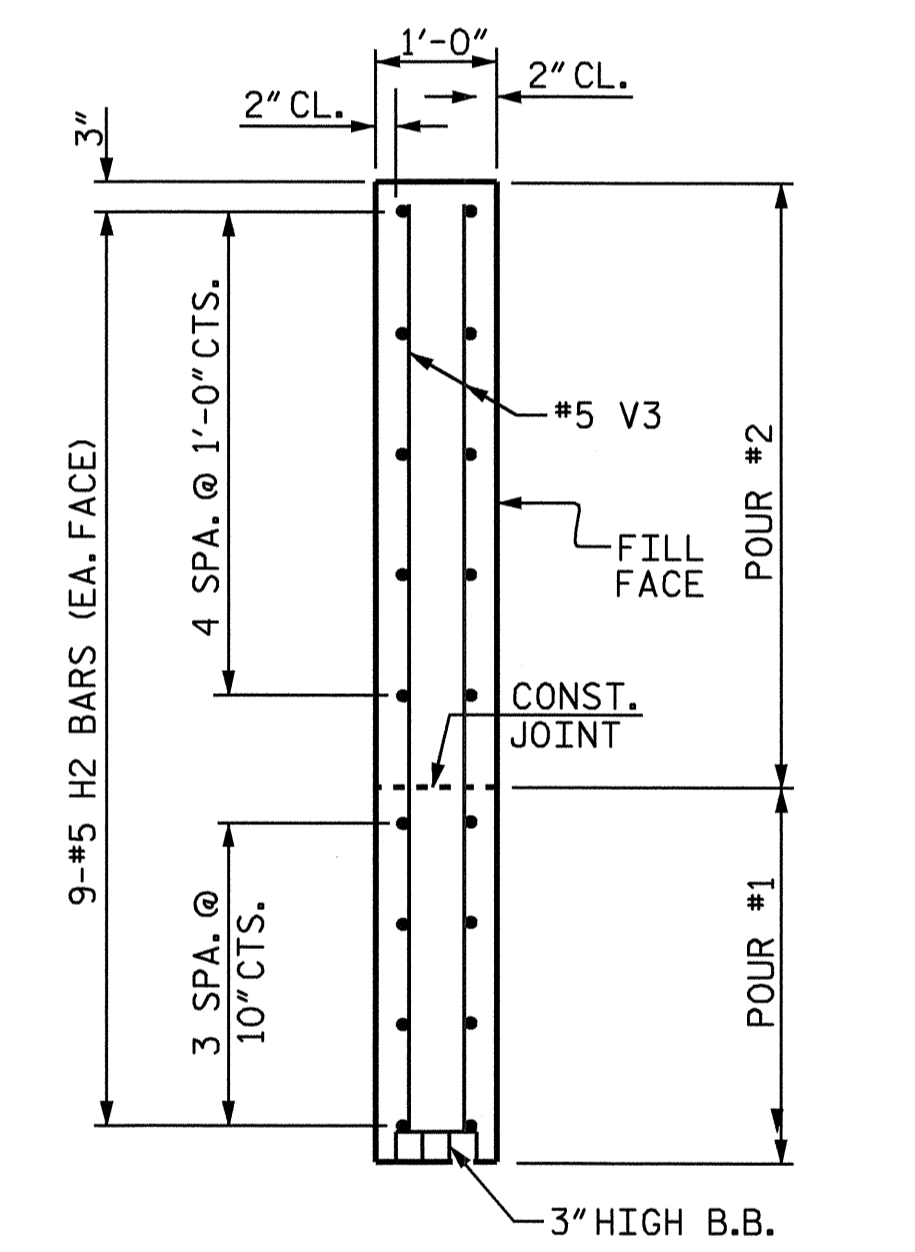
ELEVATION OF WING (W1)



ELEVATION OF WING (W2)



SECTION X-X



SECTION Y-Y

PROJECT NO. B-3690
RANDOLPH COUNTY
 STATION: 17+41.00 -L-

SHEET 2 OF 3

STATE OF NORTH CAROLINA
 DEPARTMENT OF TRANSPORTATION
 RALEIGH

SUBSTRUCTURE
 END BENT No. 1

REVISIONS						SHEET NO.	
NO.	BY:	DATE:	NO.	BY:	DATE:	S-21	
1			3			TOTAL SHEETS	
2			4			37	

DRAWN BY : A. V. ROYAL DATE : 1/03
 CHECKED BY : P. C. BREWER DATE : 8/03

