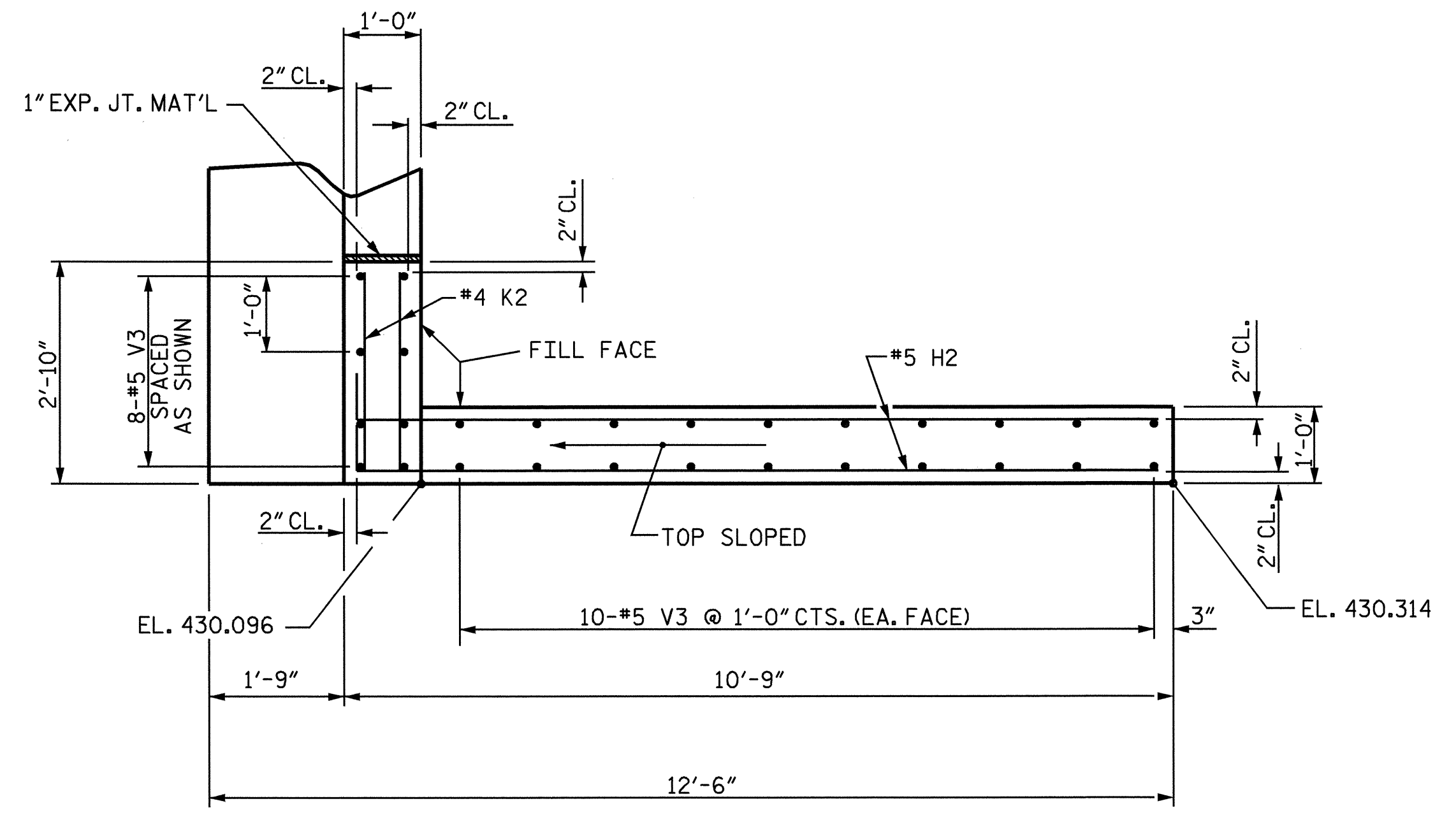
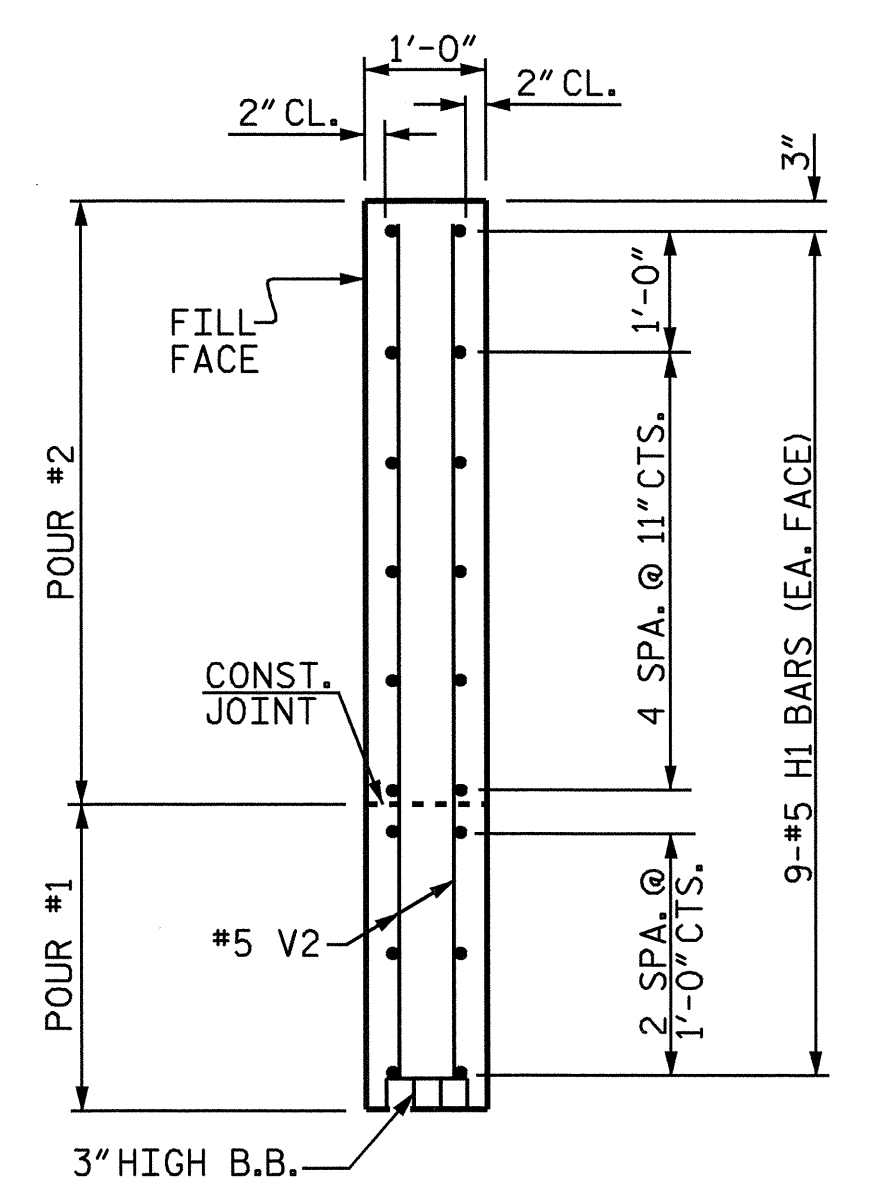


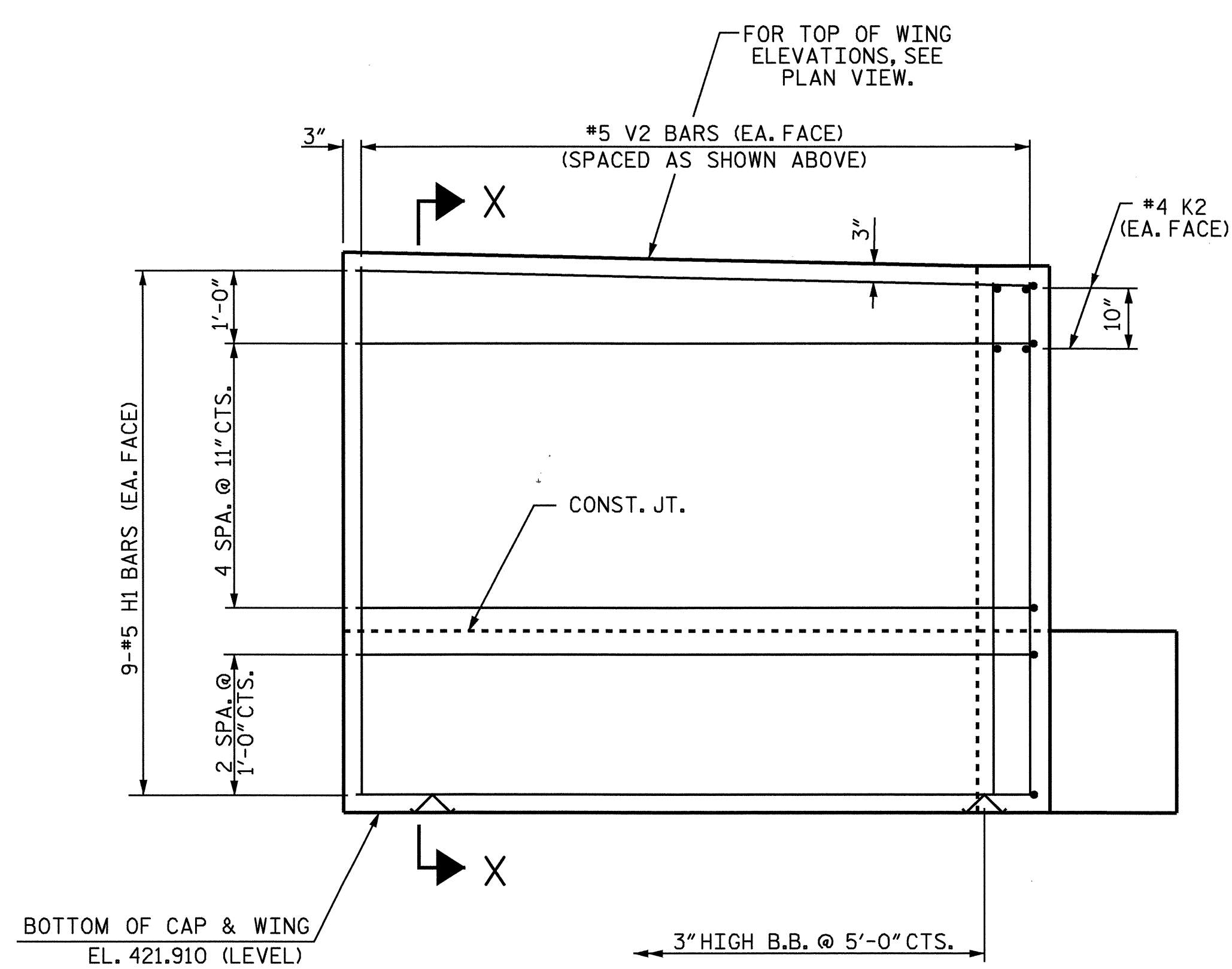
PLAN OF WING (W1)



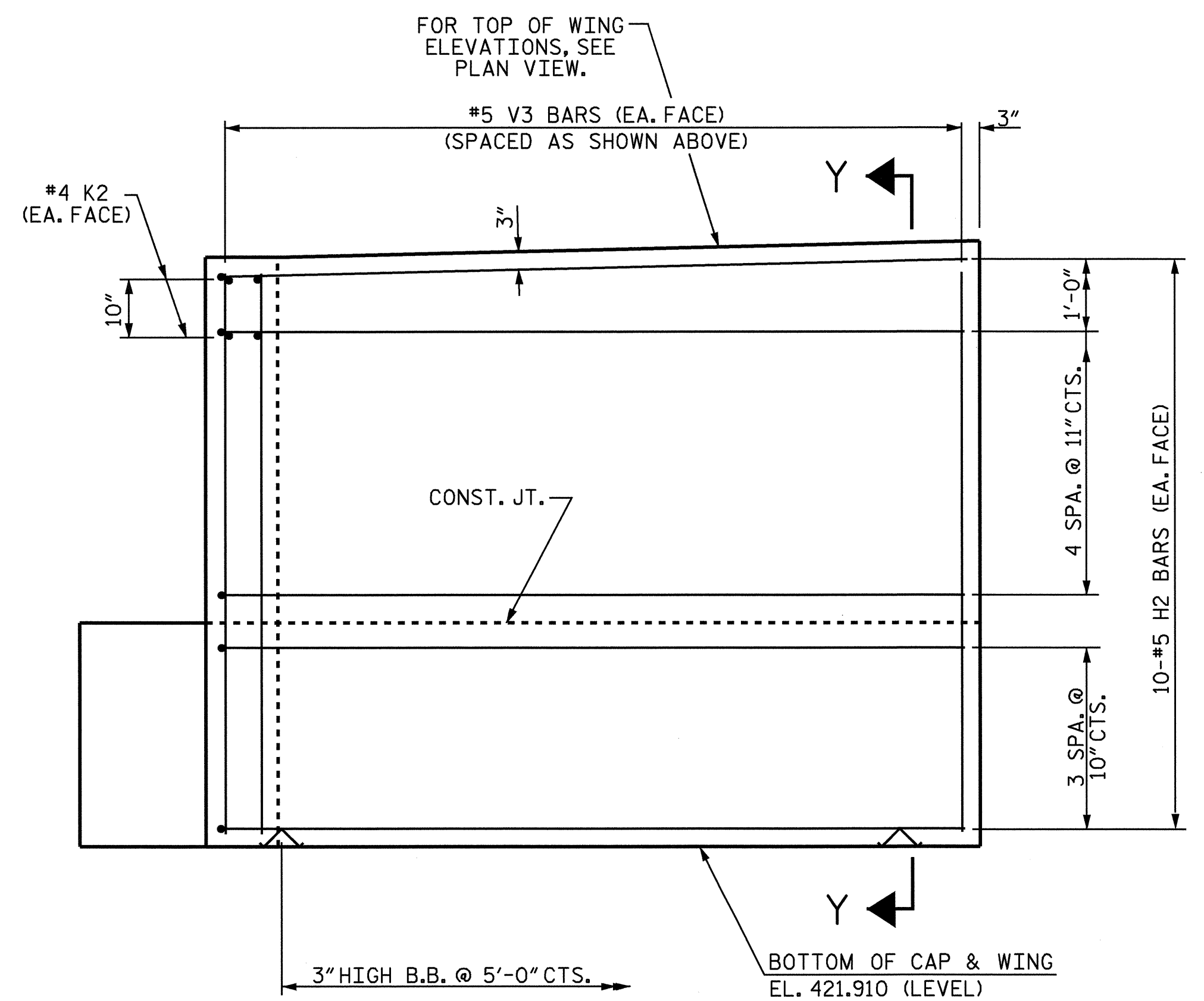
PLAN OF WING (W2)



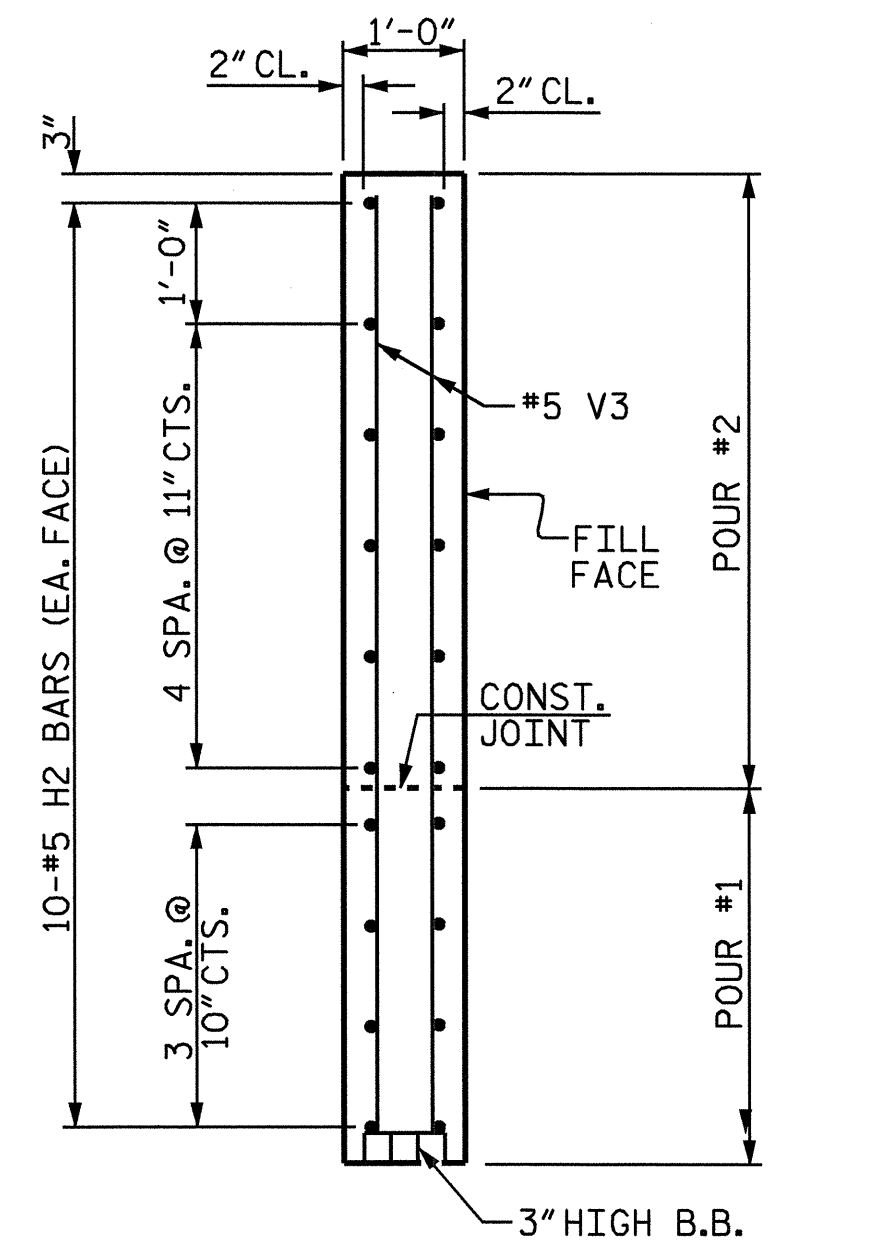
SECTION X-X



ELEVATION OF WING (W1)



ELEVATION OF WING (W2)



SECTION Y-Y

PROJECT NO. B-3690
 RANDOLPH COUNTY
 STATION: 17+41.00 -L-

SHEET 2 OF 3

STATE OF NORTH CAROLINA
 DEPARTMENT OF TRANSPORTATION
 RALEIGH

SUBSTRUCTURE
 END BENT No. 2

REVISIONS						SHEET NO.	
NO.	BY:	DATE:	NO.	BY:	DATE:	S-32	
1			3			TOTAL SHEETS	
2			4			37	



DRAWN BY: A. V. ROYAL DATE: 1/03
 CHECKED BY: P. C. BREWER DATE: 8/03