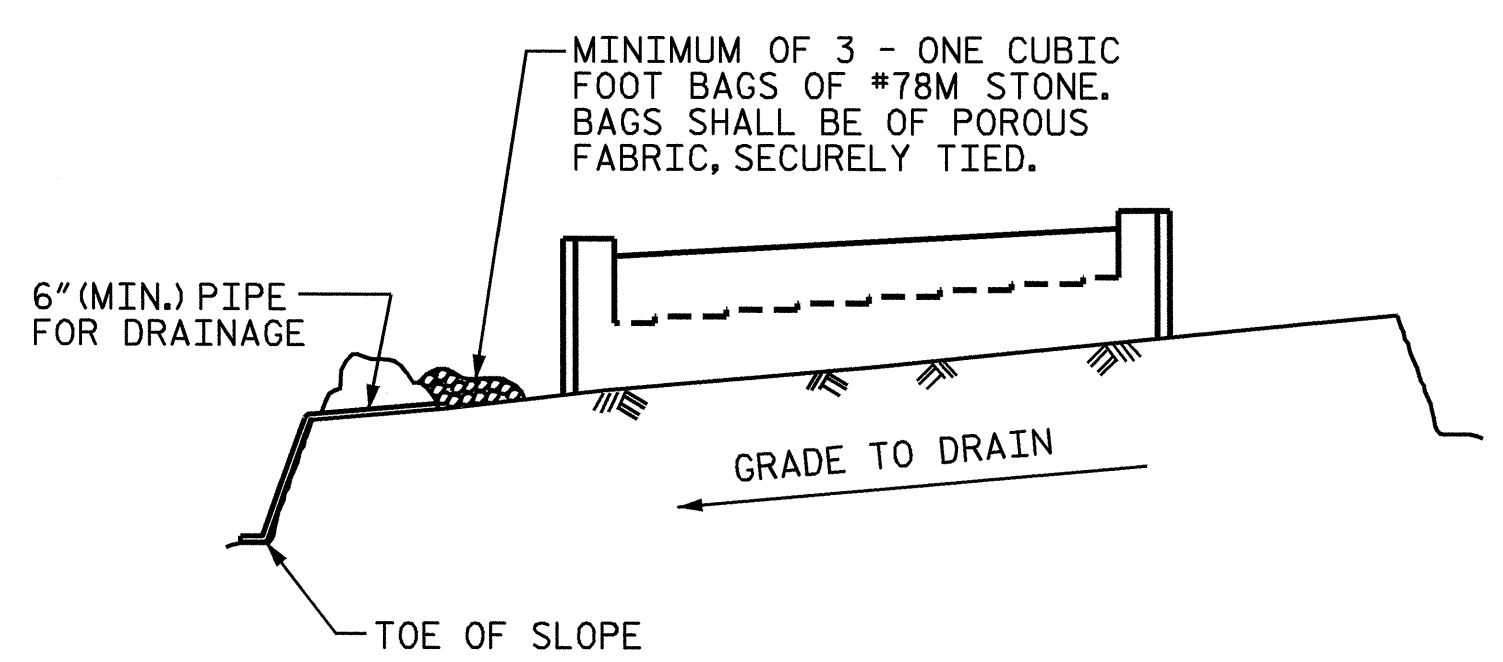


*POSITION OF PILE DURING WELDING.
PILE SPLICE DETAILS

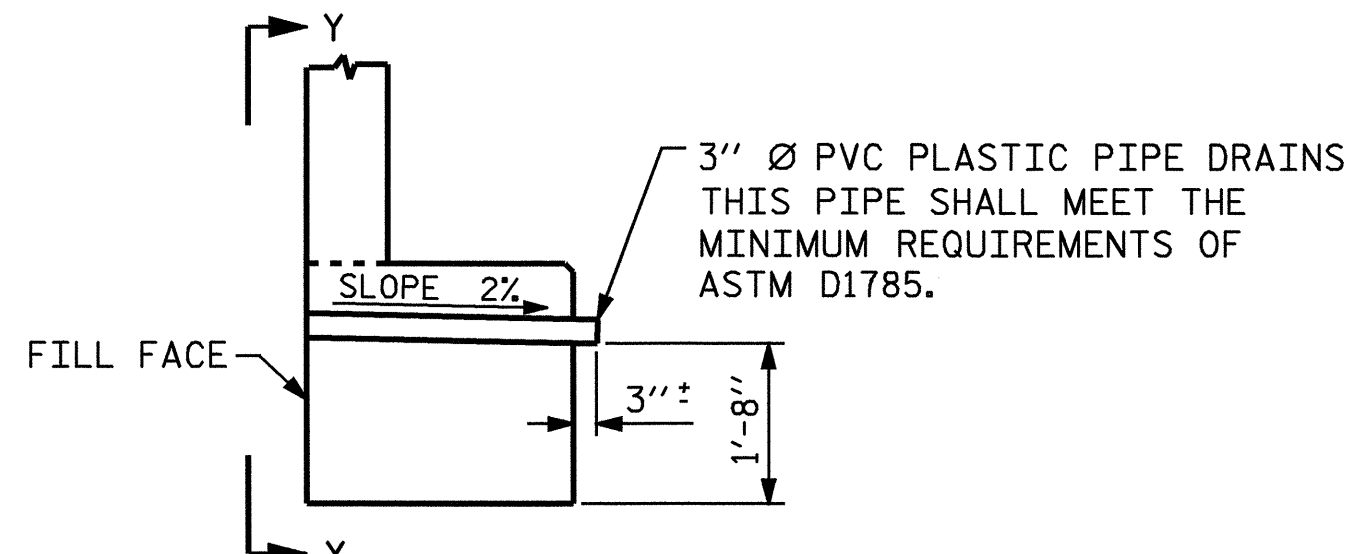


BAGGED STONE AND PIPE SHALL BE PLACED IMMEDIATELY AFTER COMPLETION OF END BENT EXCAVATION. PIPE MAY BE EITHER CONCRETE, CORRUGATED STEEL, CORRUGATED ALUMINUM ALLOY, OR CORRUGATED PLASTIC. PERFORATED PIPE WILL NOT BE ALLOWED.

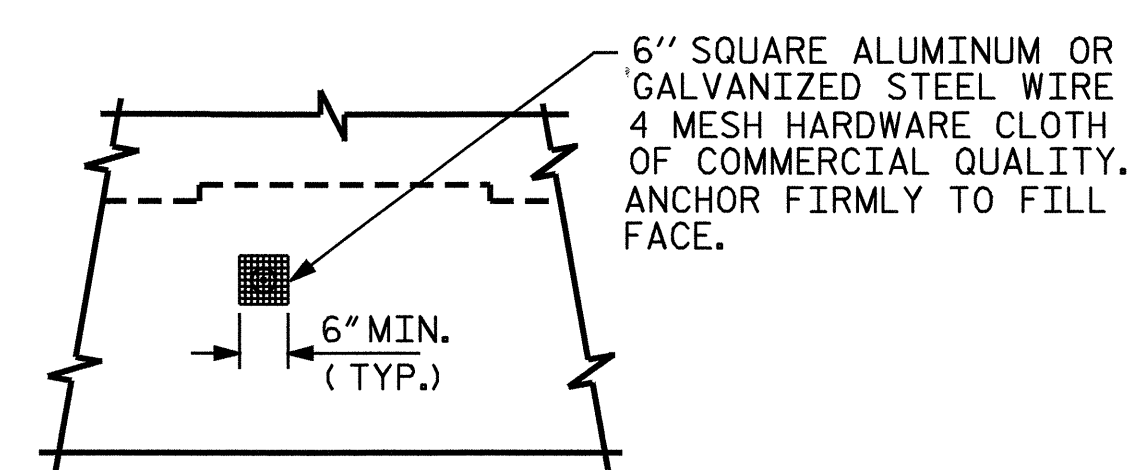
BAGGED STONE SHALL REMAIN IN PLACE UNTIL THE ENGINEER DIRECTS THAT IT BE REMOVED. THE CONTRACTOR SHALL REMOVE AND DISPOSE OF SILT ACCUMULATIONS AT BAGGED STONE WHEN SO DIRECTED BY THE ENGINEER. BAGS SHALL BE REMOVED AND REPLACED WHENEVER THE ENGINEER DETERMINES THAT THEY HAVE DETERIORATED AND LOST THEIR EFFECTIVENESS.

NO SEPARATE PAYMENT WILL BE MADE FOR THIS WORK AND THE ENTIRE COST OF THIS WORK SHALL BE INCLUDED IN THE UNIT CONTRACT PRICE BID FOR THE SEVERAL PAY ITEMS.

TEMPORARY DRAINAGE AT END BENT



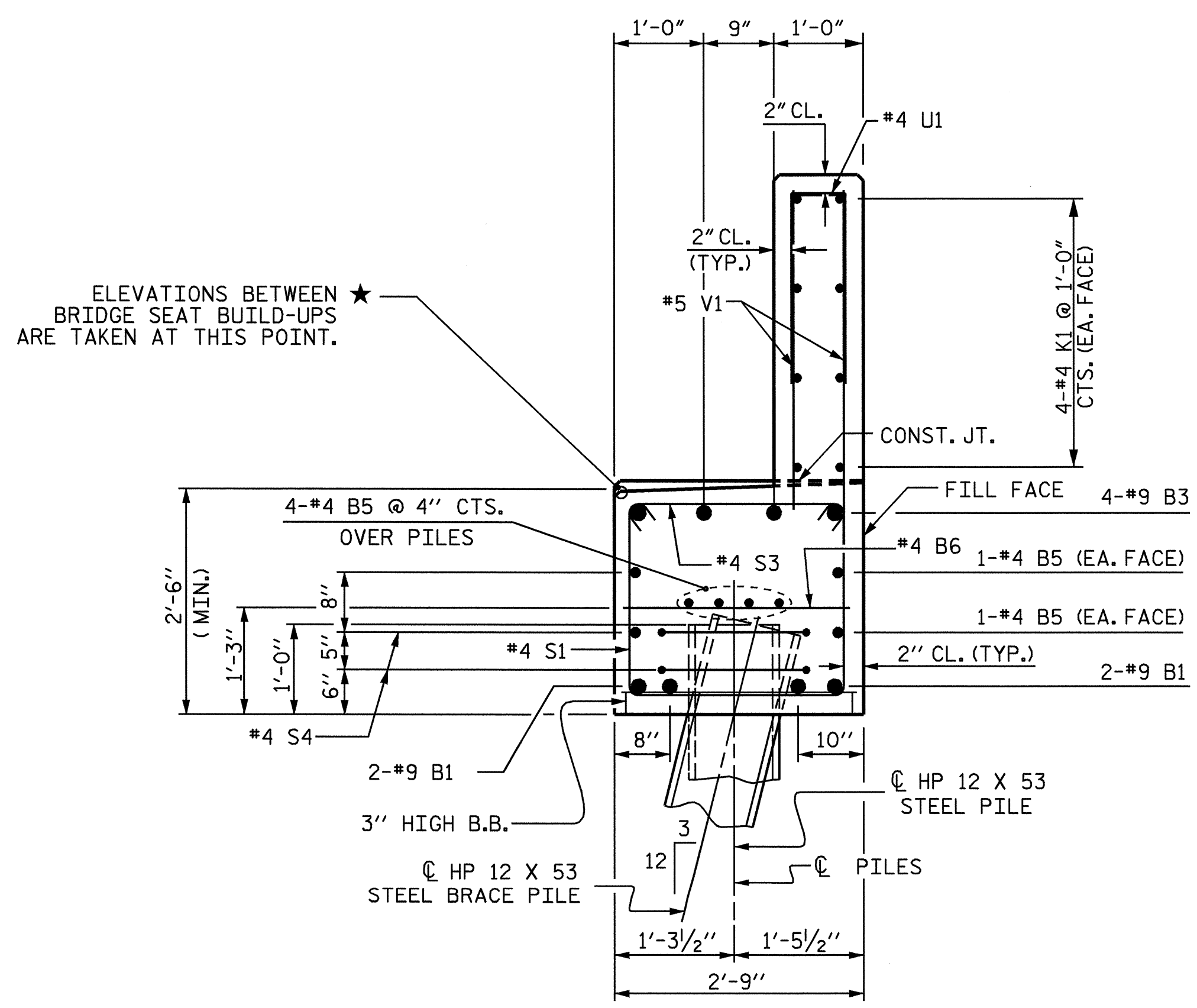
SECTION THRU CAP



VIEW Y-Y

NOTE: NO SEPARATE PAYMENT WILL BE MADE FOR FURNISHING AND INSTALLING THE PVC PLASTIC PIPE DRAINS, HARDWARE CLOTH AND FASTENERS. THE ENTIRE COST OF THIS WORK SHALL BE INCLUDED IN THE UNIT CONTRACT PRICE BID FOR THE SEVERAL PAY ITEMS.

PIPE DRAIN DETAILS



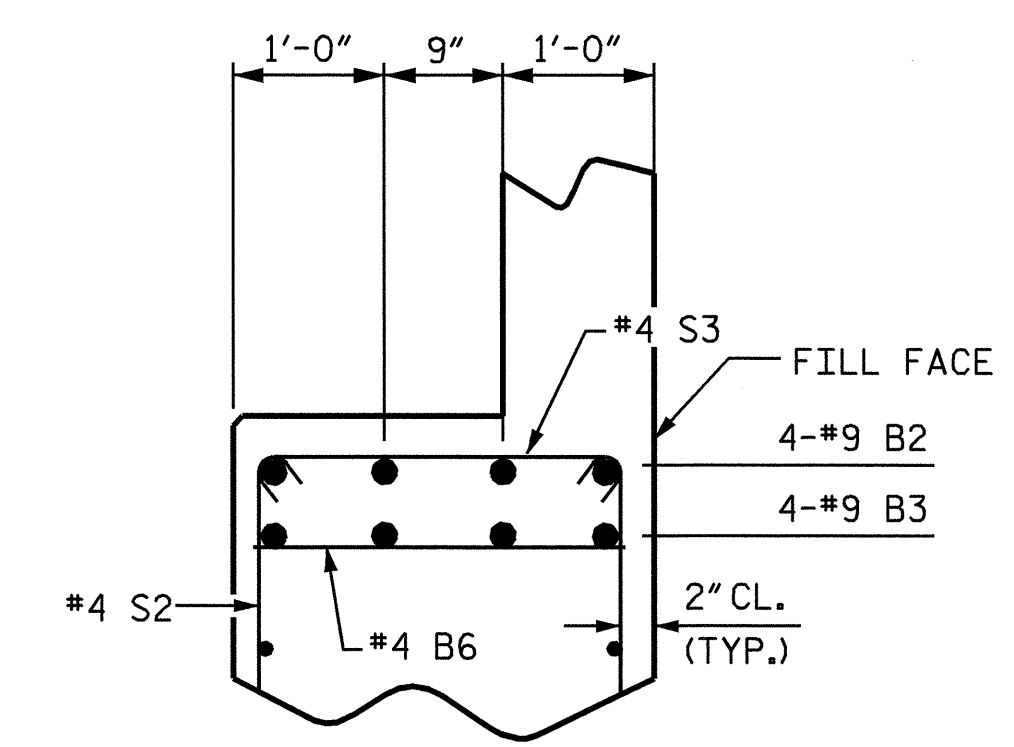
SECTION A-A

BILL OF MATERIAL					
END BENT No. 2					
BAR NO.	SIZE	TYPE	LENGTH	WEIGHT	
B1	4	9	1	43'-1"	586
B2	4	9	2	22'-11"	312
B3	4	9	2	28'-11"	393
B4	4	4	STR	2'-11"	8
B5	16	4	STR	21'-7"	231
B6	13	4	STR	2'-5"	21
H1	18	5	3	10'-3"	192
H2	20	5	3	11'-3"	235
K1	16	4	STR	21'-7"	231
K2	8	4	STR	2'-6"	13
S1	21	4	7	7'-5"	104
S2	23	4	7	8'-0"	123
S3	44	4	4	3'-2"	93
S4	14	4	5	6'-6"	61
U1	36	4	6	3'-8"	88
U2	3	4	6	6'-5"	13
V1	72	5	STR	5'-10"	438
V2	26	5	STR	7'-2"	194
V3	28	5	STR	7'-10"	229
REINFORCING STEEL			LBS.	3565	

CLASS A CONCRETE BREAKDOWN:	
POUR #1 - (CAP & LOWER WINGS)	13.7 C.Y.
POUR #2 - (BACKWALL & UPPER WINGS)	9.7 C.Y.
TOTAL	23.4 C.Y.

HP 12 x 53 STEEL PILES	
NO. 7	LIN. FEET 105

ALL BAR DIMENSIONS ARE OUT TO OUT.



PARTIAL SECTION B-B

PROJECT NO. B-3690
RANDOLPH COUNTY
 STATION: 17+41.00 -L-

SHEET 3 OF 3

STATE OF NORTH CAROLINA DEPARTMENT OF TRANSPORTATION RALEIGH					
SUBSTRUCTURE END BENT No. 2					
REVISIONS					
NO.	BY:	DATE:	NO.	BY:	DATE:
1			3		
2			4		

SHEET NO.	
S-33	TOTAL SHEETS 37

