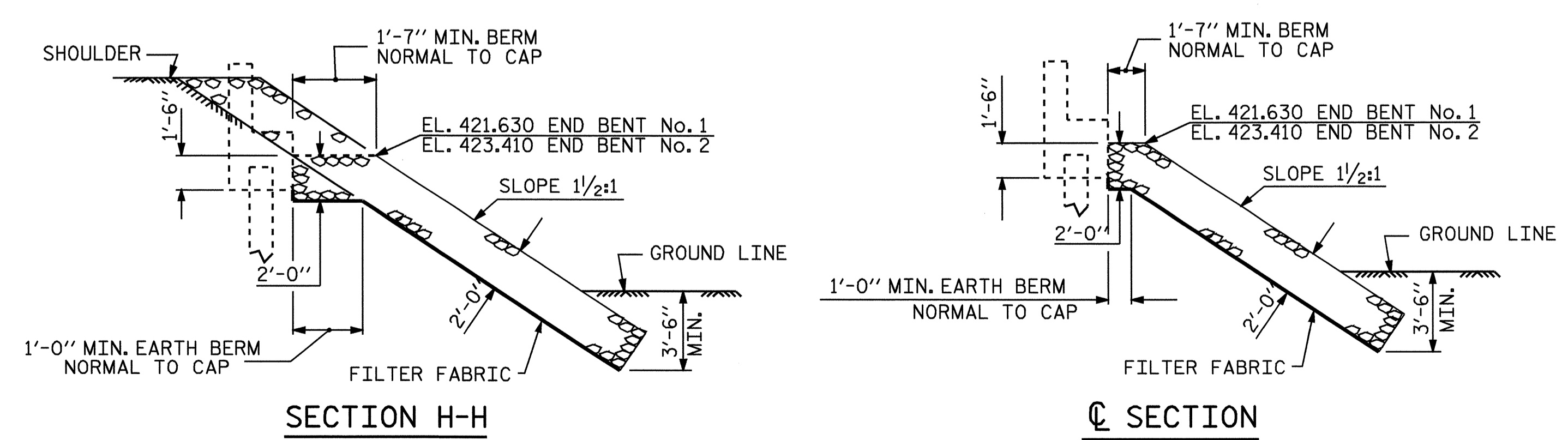


ESTIMATED QUANTITIES		
BRIDGE @ STA. 17+41.00 -L-	PLAIN RIP RAP CLASS II	FILTER FABRIC FOR DRAINAGE
	TONS	SQUARE YARDS
END BENT 1	230	255
END BENT 2	305	340

PLAN



SECTION H-H

C SECTION

BERM RIP RAPPED

PROJECT NO. B-3690
RANDOLPH COUNTY
 STATION: 17+41.00 -L-

STATE OF NORTH CAROLINA
 DEPARTMENT OF TRANSPORTATION
 RALEIGH

RIP RAP DETAILS

REVISIONS						SHEET NO.
NO.	BY:	DATE:	NO.	BY:	DATE:	S-34
1			3			TOTAL SHEETS 37
2			4			



DRAWN BY : R. G. EMERSON DATE : 1/14/03
 CHECKED BY : D. E. PETREY DATE : 1/15/03