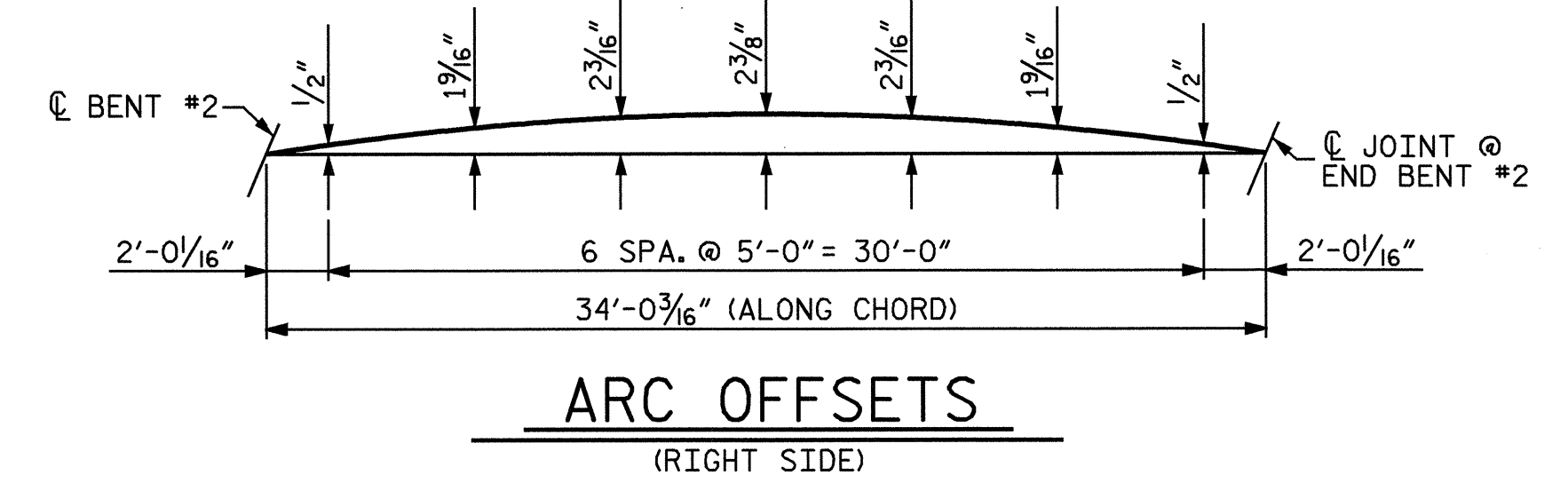
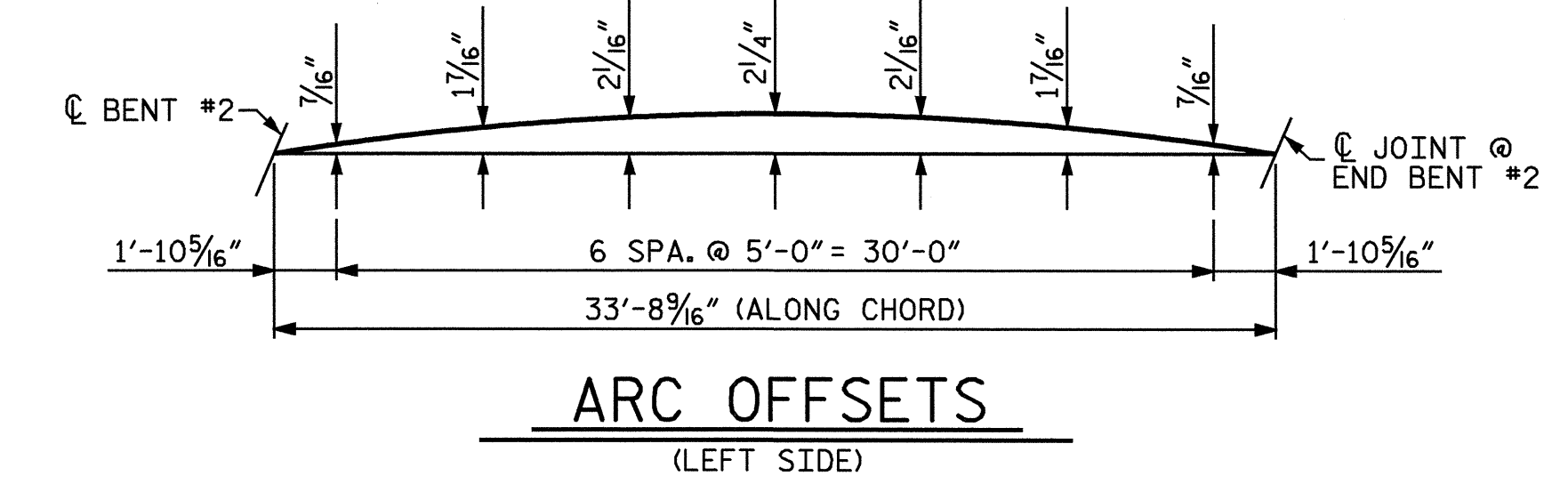
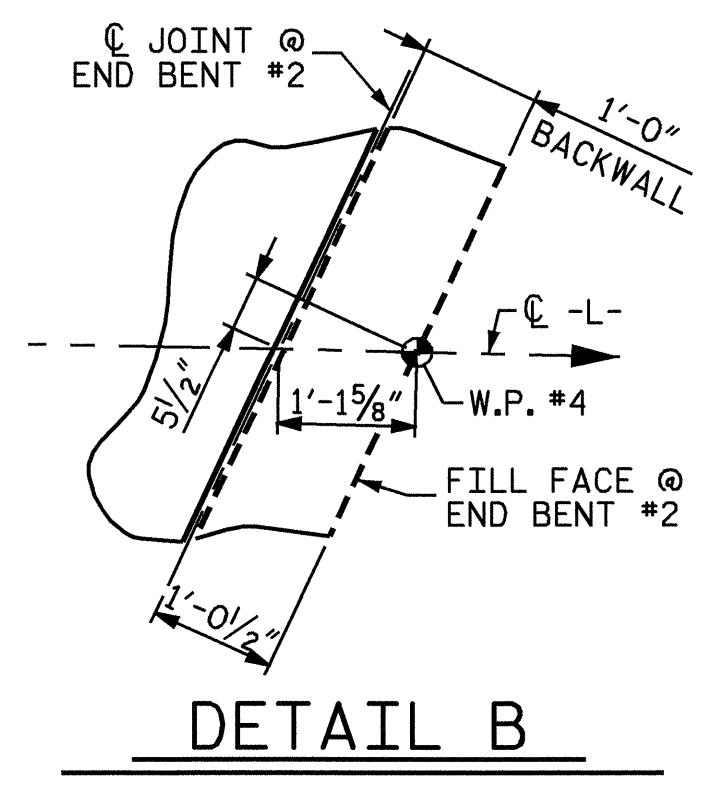


**PLAN OF SPAN C**

\* DIMENSIONS ARE TO CIRCLES CONCENTRIC WITH C-L-. GIRDERS ARE ON THE CHORDS OF THESE CONCENTRIC CIRCLES.  
 Δ ARC DIMENSION ALONG GUTTERLINE  
 "A" BARS ARE ALONG LONG CHORD & PERPENDICULAR TO LONG CHORD.



PROJECT NO. B-3506  
RANDOLPH COUNTY  
 STATION: 17+97.50 -L-

SHEET 3 OF 3

STATE OF NORTH CAROLINA  
 DEPARTMENT OF TRANSPORTATION  
 RALEIGH  
 SUPERSTRUCTURE  
**PLAN OF SPAN C**



REVISIONS						SHEET NO. S-9
NO.	BY:	DATE:	NO.	BY:	DATE:	
1			3			TOTAL SHEETS 35
2			4			

DRAWN BY : H. T. BARBOUR DATE : 11-12-03  
 CHECKED BY : D. A. DAVENPORT DATE : 3-04