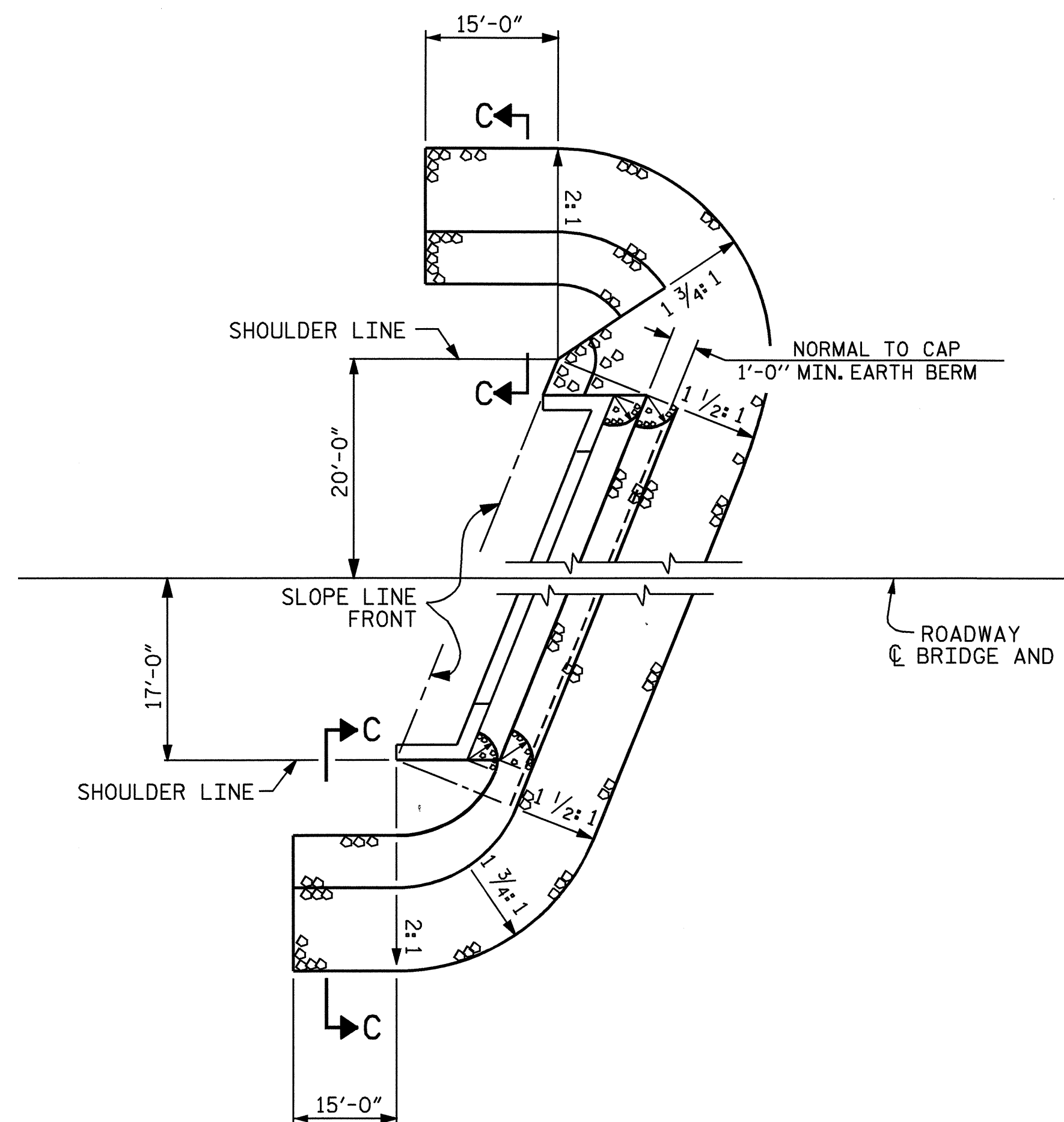
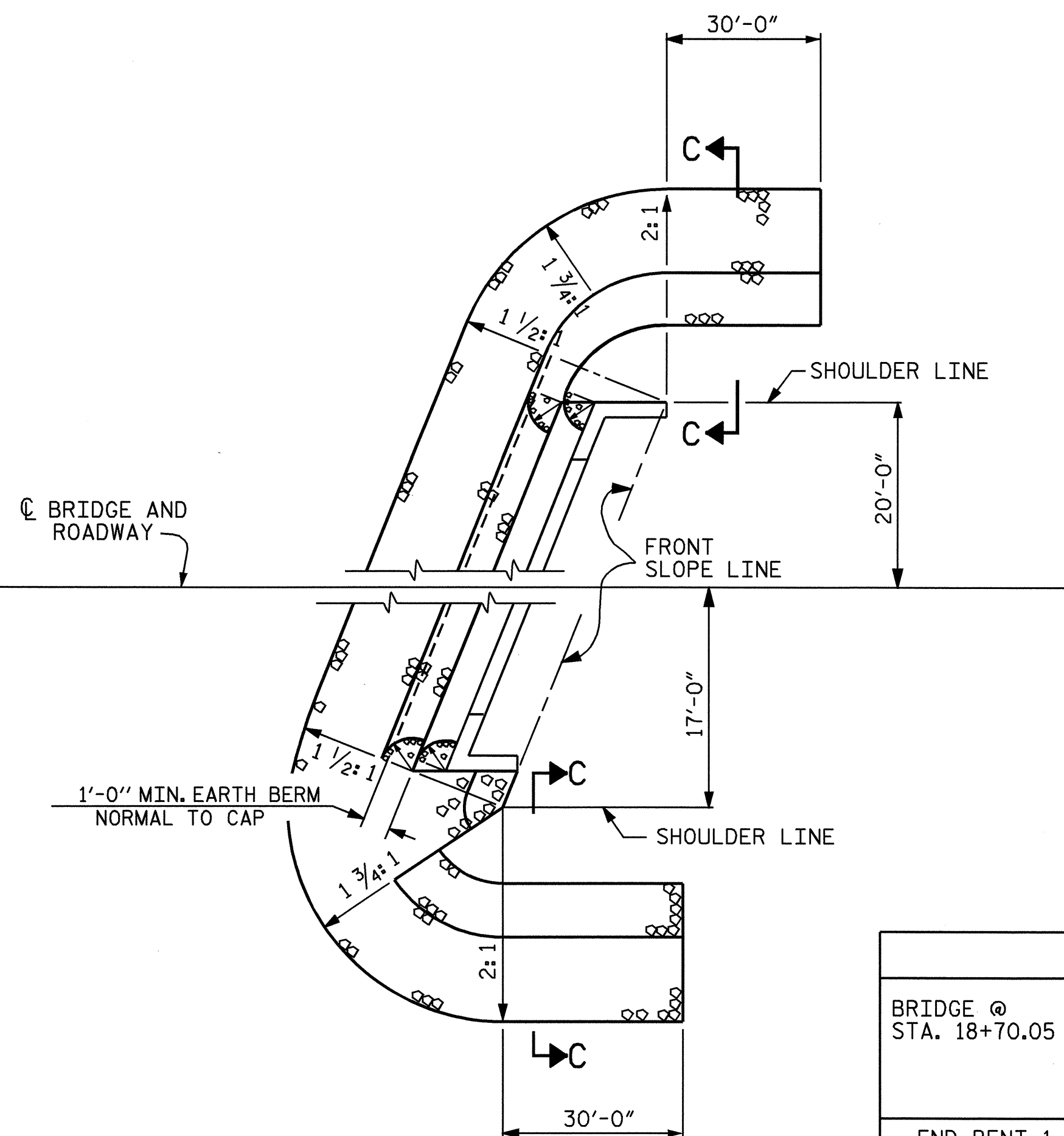


NOTES

FOR BERM WIDTH DIMENSIONS, SEE GENERAL DRAWING.
THE COST OF FILTER FABRIC SHALL BE INCLUDED IN THE CONTRACT PRICE BID FOR PLAIN RIP RAP CLASS II.

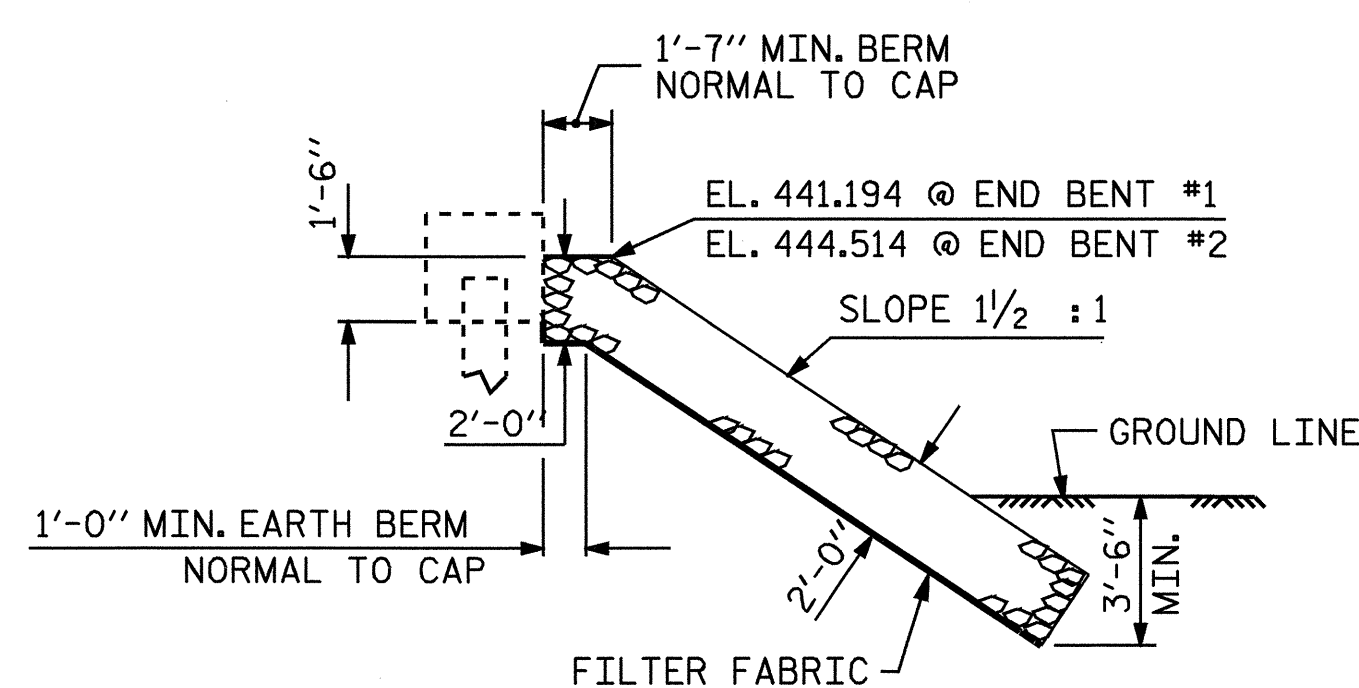


PLAN @ END BENT #1

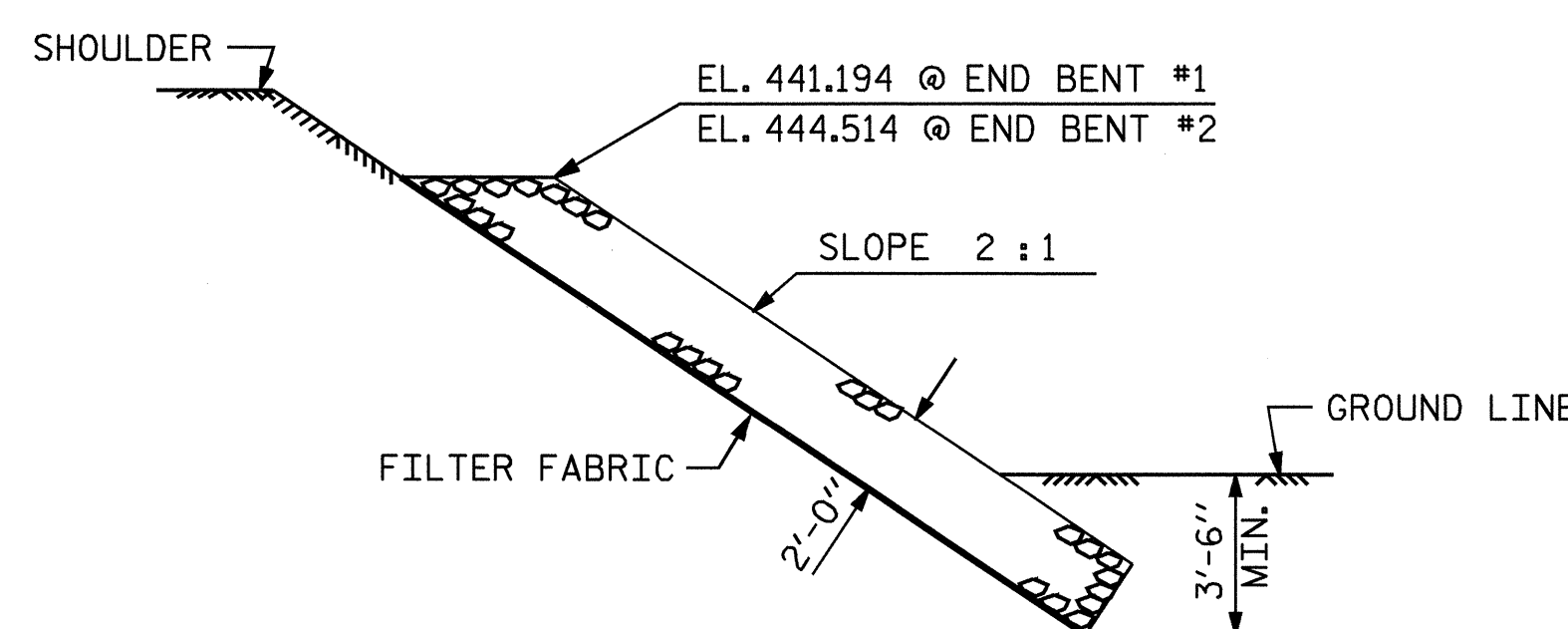


PLAN @ END BENT #2

ESTIMATED QUANTITIES		
BRIDGE @ STA. 18+70.05 -L-	PLAIN RIP RAP CLASS II	FILTER FABRIC FOR DRAINAGE
	TONS	SQUARE YARDS
END BENT 1	133	147
END BENT 2	177	197
TOTAL	310	344



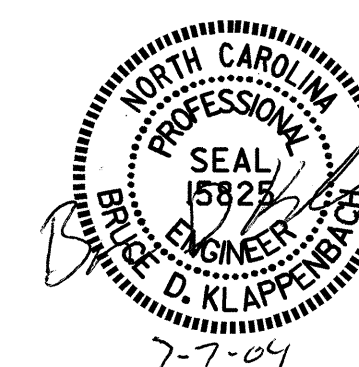
**SECTION C-C
BERM RIP RAPPED**



SECTION C-C

PROJECT NO. B-3504
RANDOLPH COUNTY
STATION: 18+70.50 -L-

STATE OF NORTH CAROLINA
DEPARTMENT OF TRANSPORTATION
RALEIGH
**STANDARD
RIP RAP DETAILS**



ASSEMBLED BY : J.B. WILSON	DATE : 6/04
CHECKED BY : D.A. GLADDEN	DATE : 6/04
DRAWN BY : REK 1/84	REV. 7/17/98 REK/RWW
CHECKED BY : RDU 1/84	REV. 8/16/99 RWW/LES
	REV. 10/17/00 RWW/LES

07-JUL-2004 09:25
w:\squad\B3504\JWilson\Microstation\B-3504.sd.SP_01.dgn
JWilson

REVISIONS				SHEET NO.
NO.	BY:	DATE:	NO.	DATE:
1			3	
2			4	
TOTAL SHEETS				27