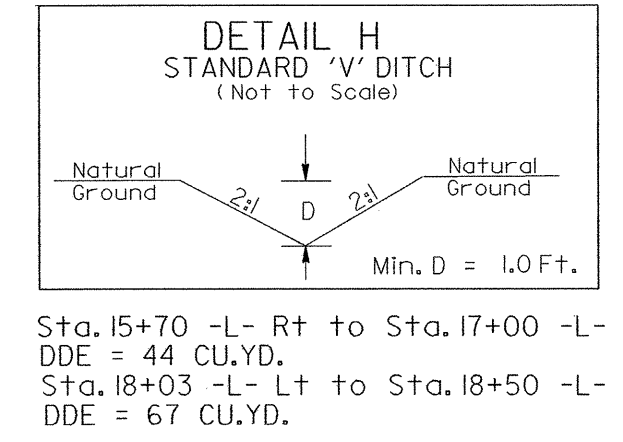
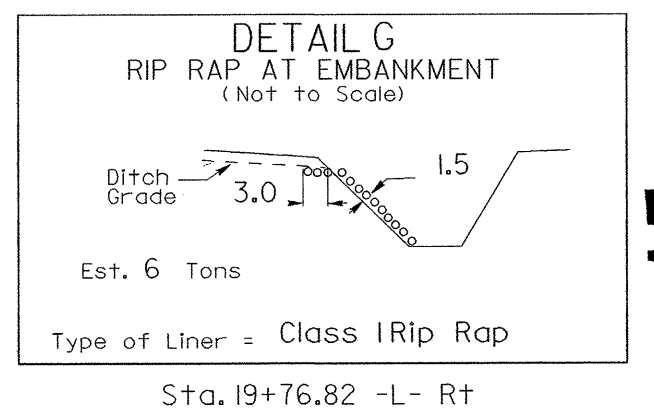
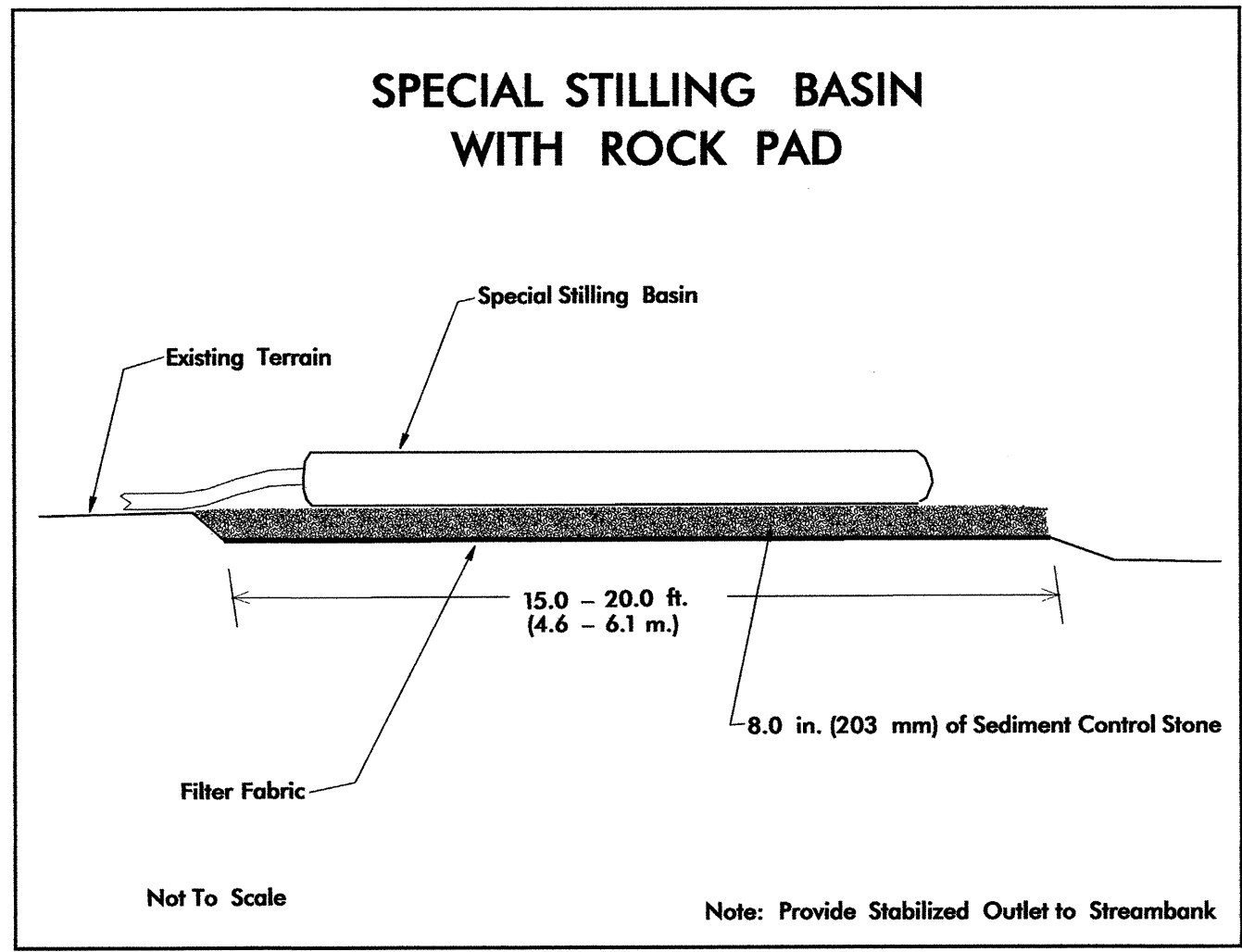


NOTE: UTILIZE SPECIAL STILLING BASIN AND/OR TEMPORARY ROCK SEDIMENT DAM TYPE - B AS STILLING BASIN WHERE APPLICABLE.

NOTE: PLACE TEMPORARY ROCK SEDIMENT DAMS TYPE-B AND TEMPORARY ROCK SILT CHECKS TYPE-A AT DRAINAGE OUTLETS.

CLEARING AND GRUBBING EROSION CONTROL FOR CONSTRUCTION SHEET 4

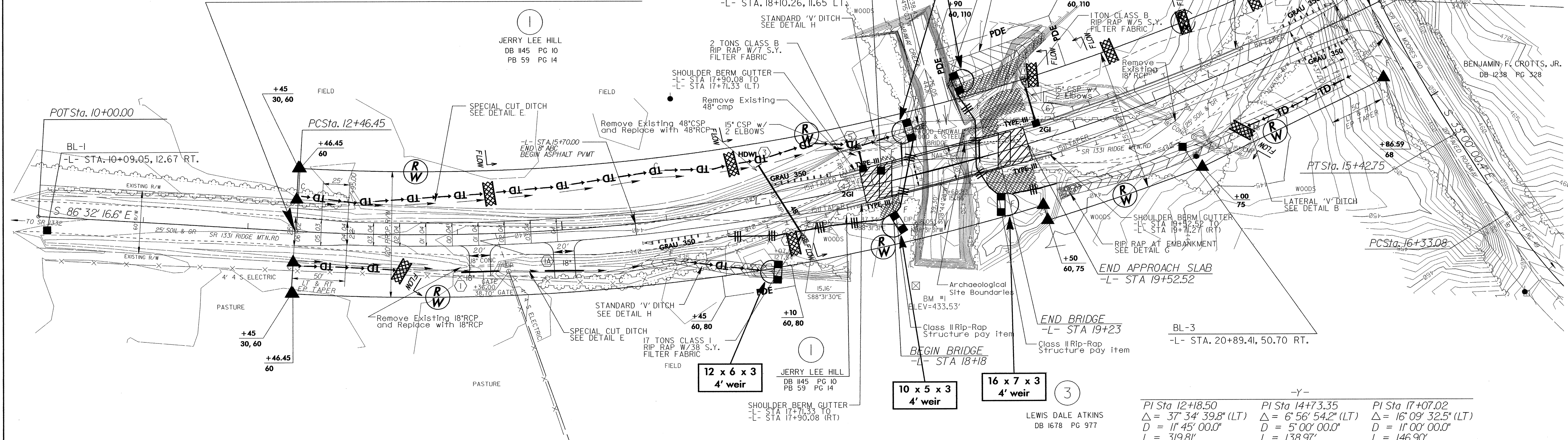


NOTE: PROPERTY LINE RUNS WITH THE CENTER OF CARAWAY CREEK.

10

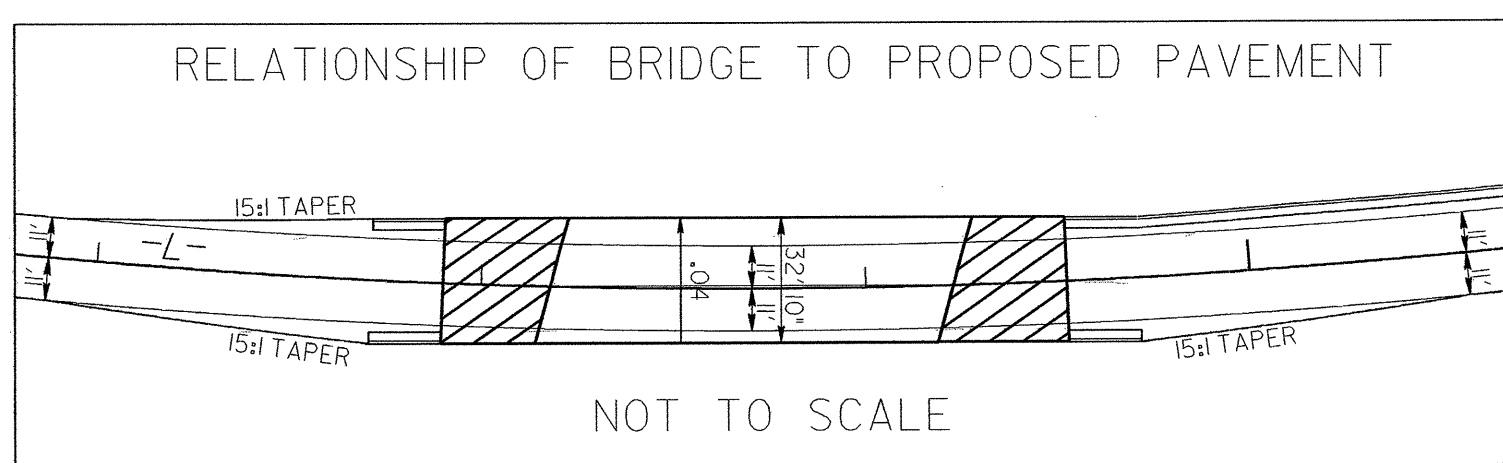
20

**STA 12+45.00 -L- BEGIN STATE PROJECT B-3504**



2  
JASON T. DRIVER  
DB 1603 PG 1452  
PB 58 PG 76

-L-  
PI Sta 17+73.27  
Δ = 29° 30' 49.6" (LT)  
D = 2° 51' 53.2"  
L = 1,030.23'  
T = 526.81'  
R = 2,000.00'  
Se = See Plans  
\*\* V = 50 MPH



-Y-	-Y-	-Y-
PI Sta 12+18.50 Δ = 37° 34' 39.8" (LT) D = 11° 45' 00.0" L = 319.81' T = 165.89' R = 487.62'	PI Sta 14+73.35 Δ = 6° 56' 54.2" (LT) D = 5° 00' 00.0" L = 138.97' T = 69.57' R = 1,145.92'	PI Sta 17+07.02 Δ = 16° 09' 32.5" (LT) D = 11° 00' 00.0" L = 146.90' T = 73.94' R = 520.87'

BRIDGE APPROACH SLAB

FOR -L- PROFILE SEE SHEET 5

NAD 83