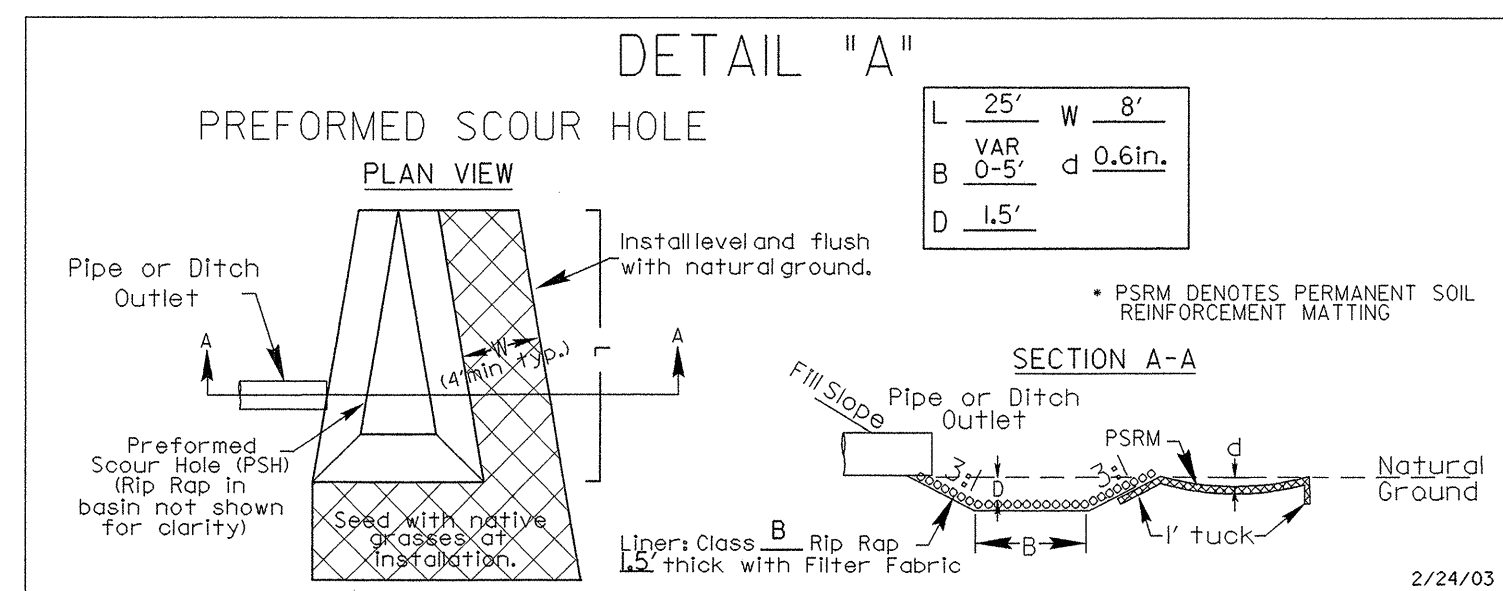
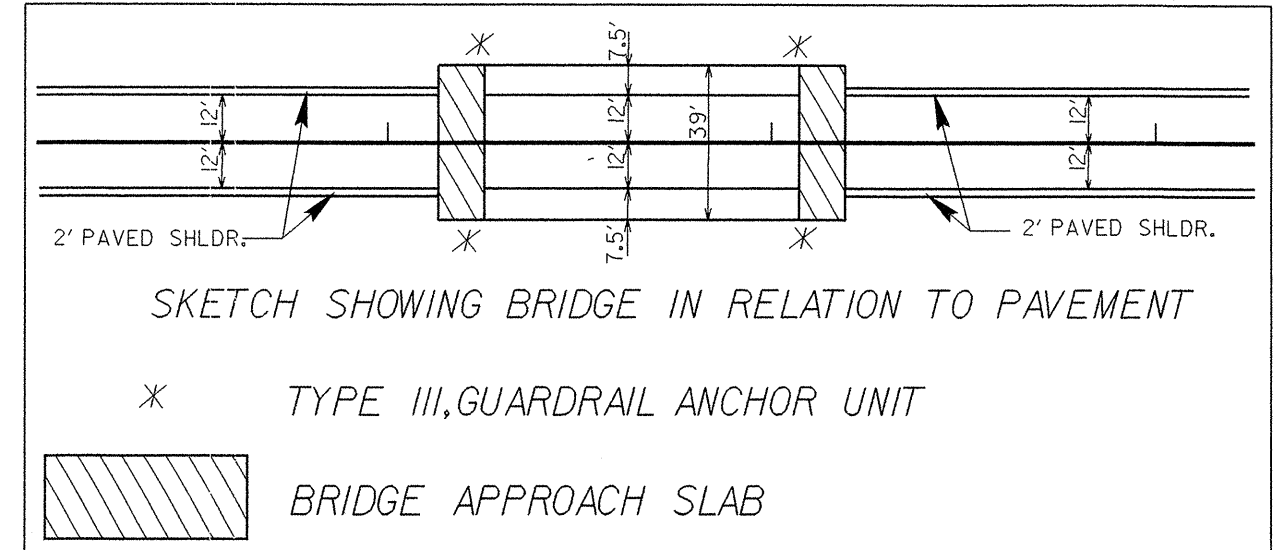


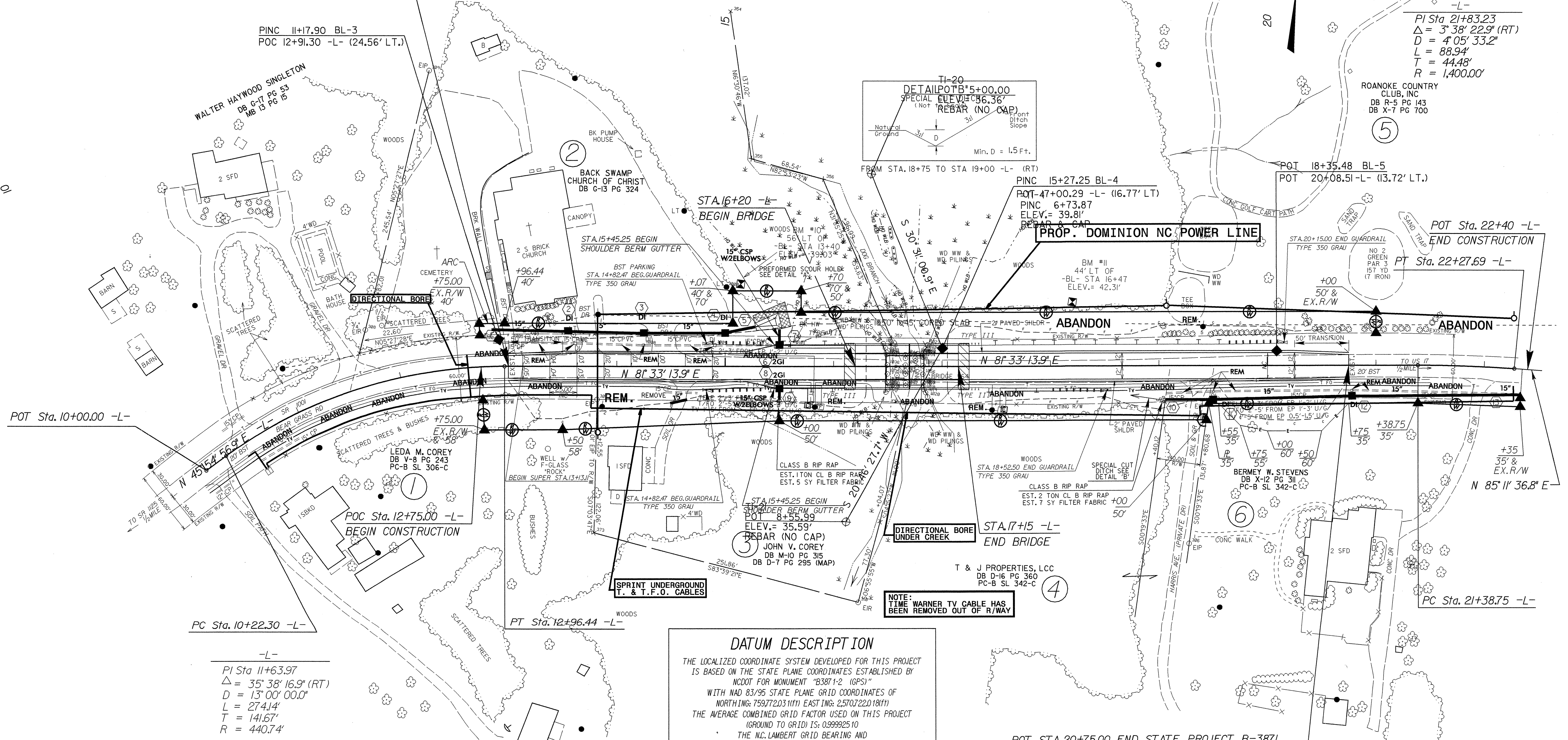
**UTILITIES BY OTHERS**

**NOTE:**  
ALL PROPOSED UTILITY WORK  
SHOWN ON THIS SHEET WILL  
BE DONE BY OTHERS



SEE SHEET 5 FOR PROFILE

POT STA. 13+00.00 BEGIN STATE PROJECT B-3871  
POT STA. 13+00.00 BEGIN F.A. PROJECT BRSTP-100(I19)



PI Sta 21+83.23  
 $\Delta = 3^\circ 38' 22.9''$  (RT)  
 $D = 4^\circ 05' 33.2''$   
 $L = 88.94'$   
 $T = 44.48'$   
 $R = 1,400.00'$

ROANOKE COUNTRY CLUB, INC  
DB R-5 PG 143  
DB X-7 PG 700

**DATUM DESCRIPTION**  
THE LOCALIZED COORDINATE SYSTEM DEVELOPED FOR THIS PROJECT IS BASED ON THE STATE PLANE COORDINATES ESTABLISHED BY NCDOT FOR MONUMENT "B3871-2 (GPS)" WITH NAD 83/95 STATE PLANE GRID COORDINATES OF NORTHING: 759,772,031.111 EASTING: 2,570,722.018 (111)  
THE AVERAGE COMBINED GRID FACTOR USED ON THIS PROJECT (GROUND TO GRID) IS: 0.99992510  
THE N.C. LAMBERT GRID BEARING AND LOCALIZED HORIZONTAL GROUND DISTANCE FROM "B3871-2 (GPS)" TO -L- STAT ION 10+00.00 IS N 49°44' 36" E, 324,291.13'  
ALL LINEAR DIMENSIONS ARE LOCALIZED HORIZONTAL DISTANCES  
VERTICAL DATUM USED IS NAVD 88

POT STA. 20+75.00 END STATE PROJECT B-3871  
POT STA. 20+75.00 END F.A. PROJECT BRSTP-100(I19)



8/17/99  
06-JAN-2004 09:46  
C:\Users\james\Documents\B3871-U02.dgn  
11-11-2004 10:21:23 AM