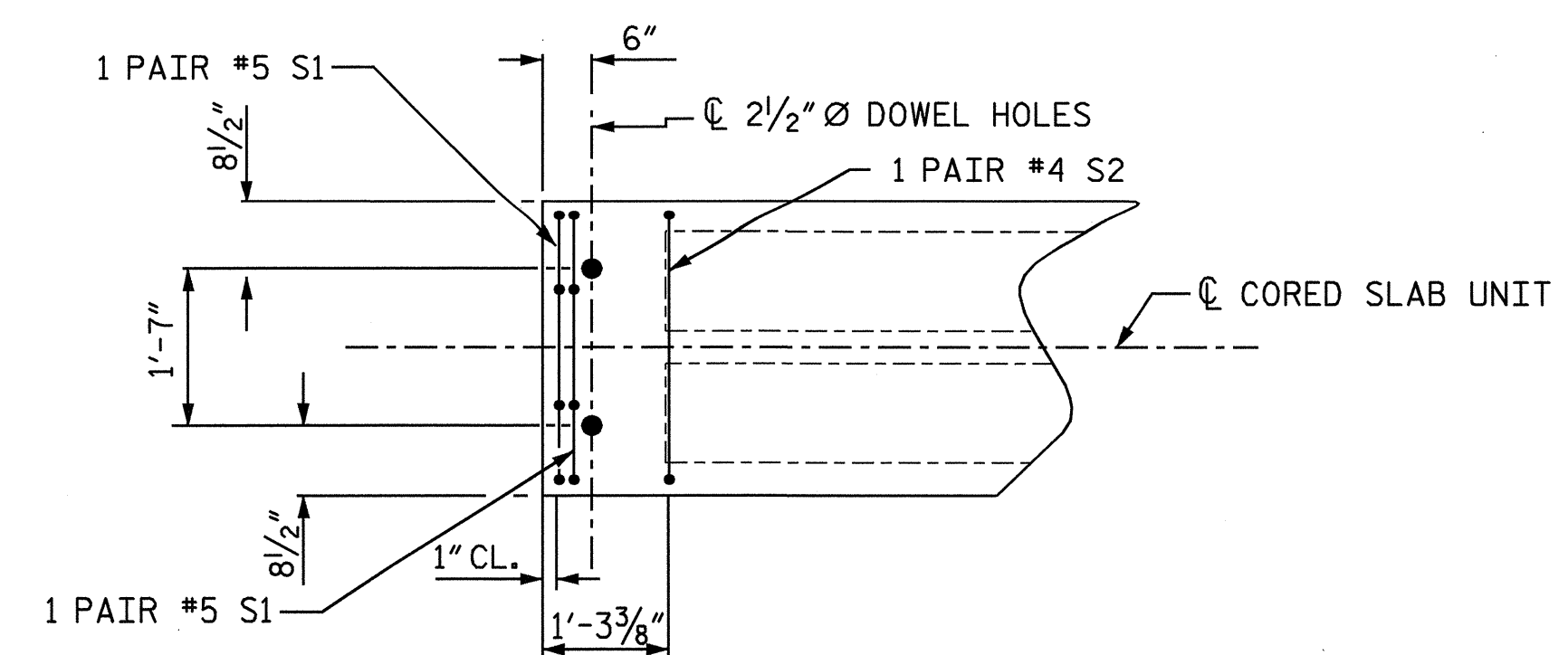
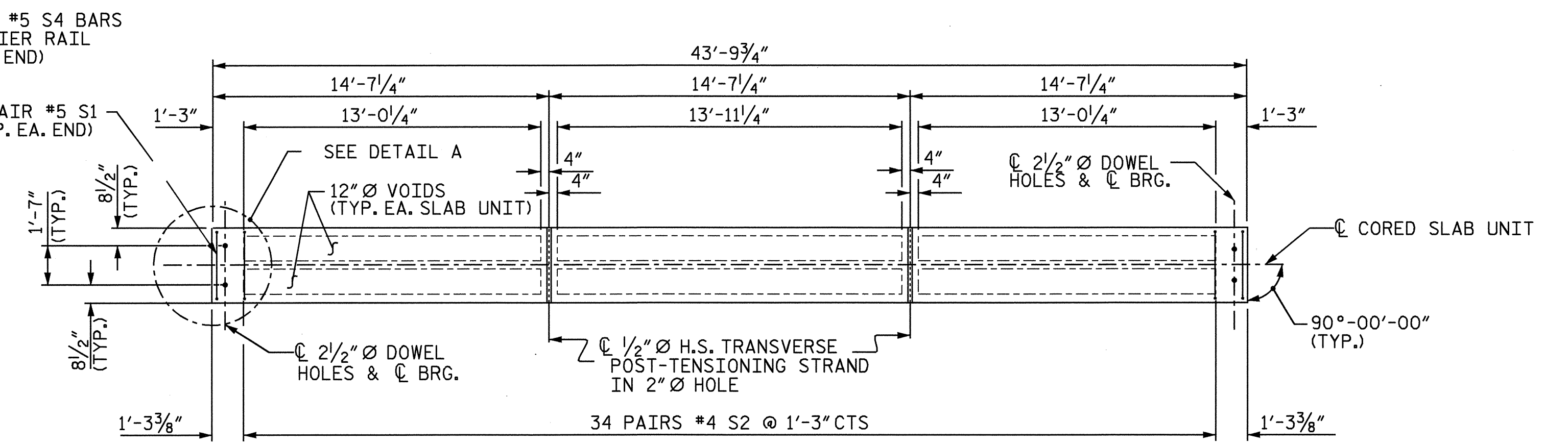


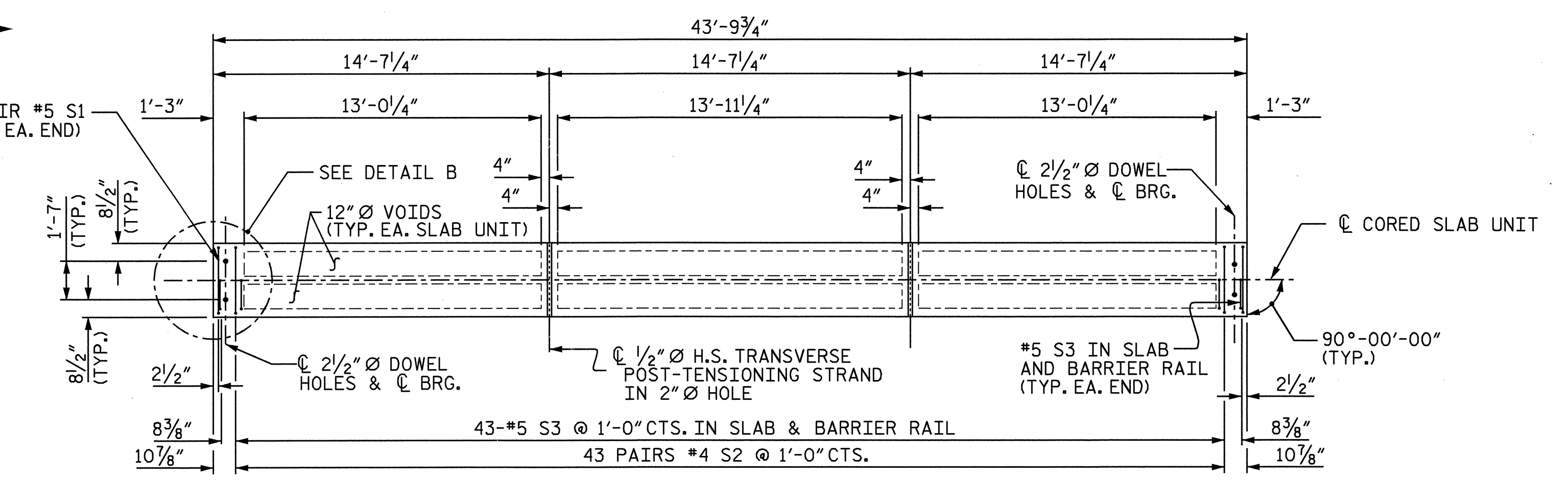
PLAN OF SPAN B



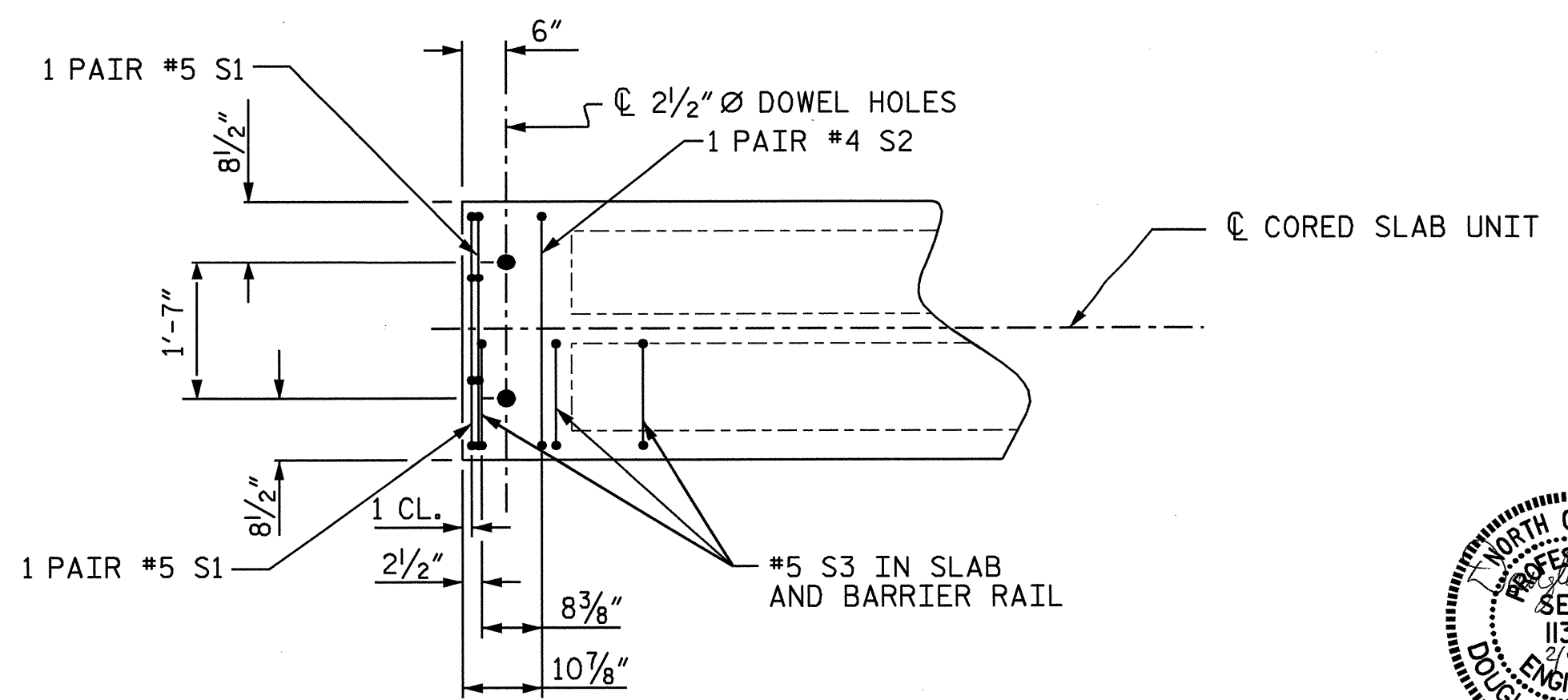
DETAIL A
(TYP. EA. END)



PLAN OF INTERIOR CORED SLAB UNIT



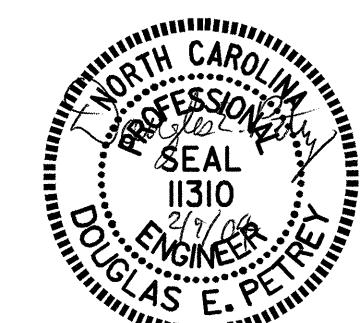
PLAN OF EXTERIOR CORED SLAB UNIT



DETAIL B
(TYP. EA. END)

PROJECT NO. B-3871
MARTIN COUNTY
 STATION: 16+67.50 -L-
 SHEET 3 OF 4

STATE OF NORTH CAROLINA
 DEPARTMENT OF TRANSPORTATION
 RALEIGH
 SUPERSTRUCTURE
 PLAN OF SPAN B



DRAWN BY: R. G. EMERSON DATE: 7/03
 CHECKED BY: P. C. BREWER DATE: 8/03

REVISIONS						SHEET NO.
NO.	BY:	DATE:	NO.	BY:	DATE:	
1			3			S-6
2			4			TOTAL SHEETS 16