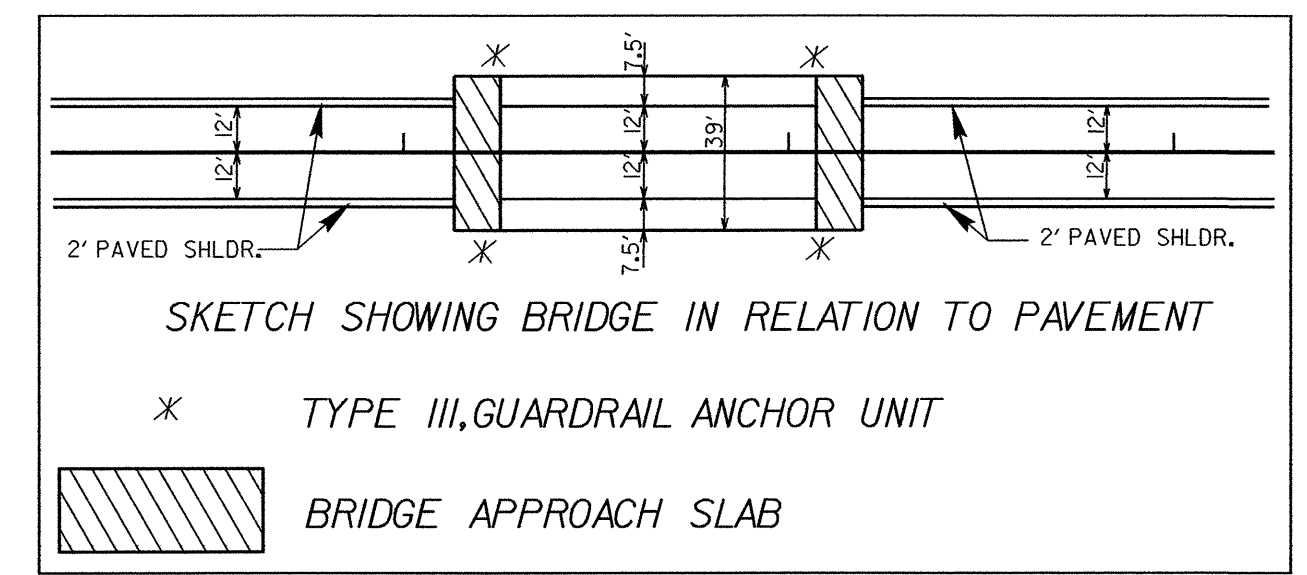


8/17/99

PROJECT REFERENCE NO.	SHEET NO.
B-3871	EC-3/CONST.4
R/W SHEET NO.	
ROADWAY DESIGN ENGINEER	HYDRAULICS ENGINEER

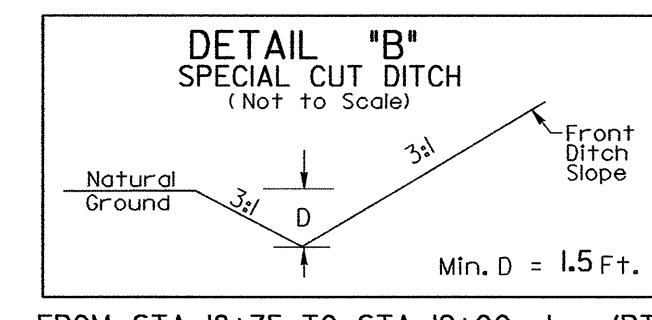
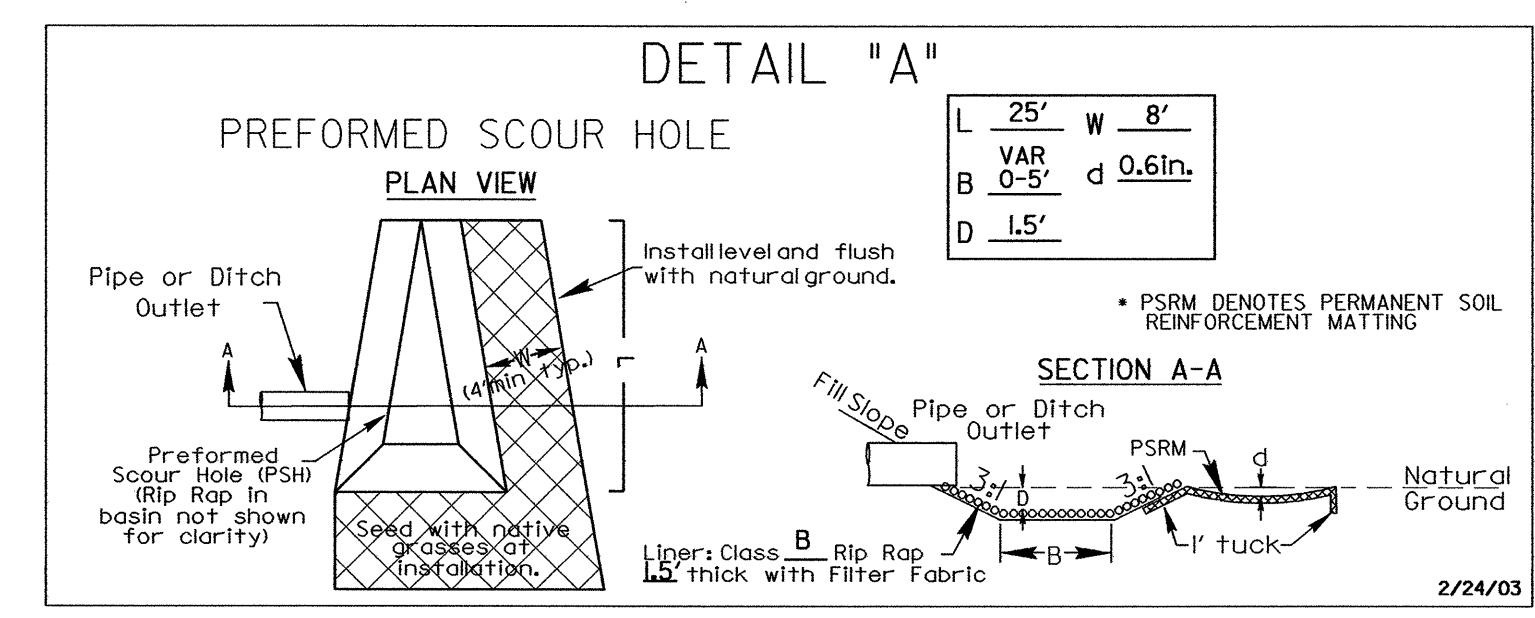


NOTE: UTILIZE TEMPORARY ROCK SILT CHECK TYPE-A AS STILLING BASIN WHERE APPLICABLE

CLEARING AND GRUBBING EROSION CONTROL FOR CONSTRUCTION SHEET 4

NOTE: TEMPORARY SILT FENCE SHALL BE INSTALLED A MINIMUM OF 3 FEET FROM TOE OF FILL IN WETLAND AREAS

NOTE: PLACE TEMPORARY ROCK SEDIMENT DAMS TYPE-B AND TEMPORARY ROCK SILT CHECKS TYPE-A AT DRAINAGE OUTLETS.

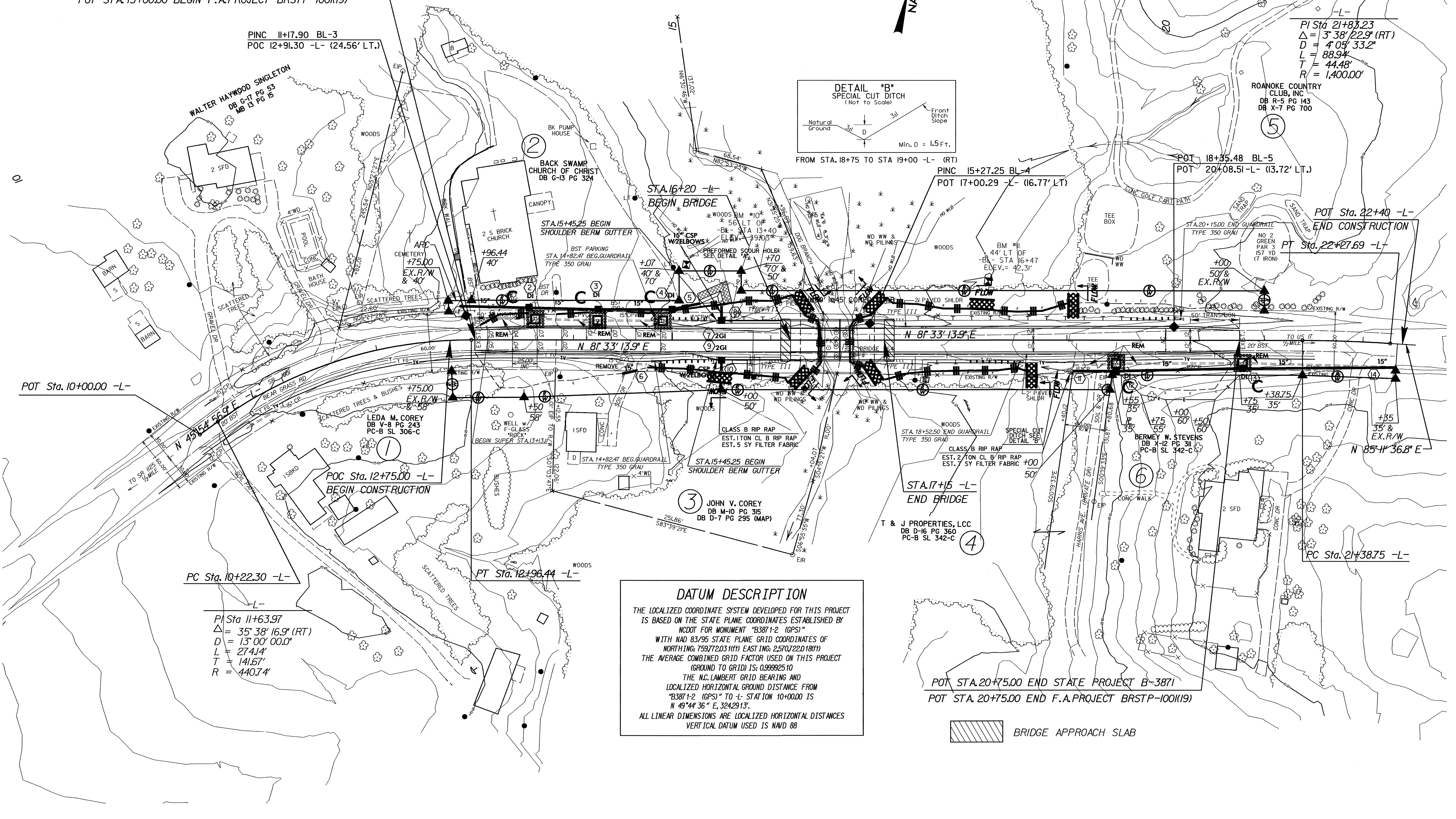


POT STA. 13+00.00 BEGIN STATE PROJECT B-3871  
 POT STA. 13+00.00 BEGIN F.A. PROJECT BRSTP-100(19)

PINC 11+17.90 BL-3  
 POC 12+91.30 -L- (24.56' LT.)

PI Sta. 21+83.23  
 $\Delta = 3' 38'' 22.9''$  (RT)  
 $D = 4' 05'' 33.2''$   
 $L = 88.94'$   
 $T = 44.48'$   
 $R = 1,400.00'$

ROANOKE COUNTRY CLUB, INC  
 DB R-5 PG 143  
 DB X-7 PG 700



**DATUM DESCRIPTION**

THE LOCALIZED COORDINATE SYSTEM DEVELOPED FOR THIS PROJECT IS BASED ON THE STATE PLANE COORDINATES ESTABLISHED BY NC DOT FOR MONUMENT "B3871-2 (GPS)" WITH NAD 83/95 STATE PLANE GRID COORDINATES OF NORTHING: 759772031(11) EASTING: 2570722018(11) THE AVERAGE COMBINED GRID FACTOR USED ON THIS PROJECT (GROUND TO GRID) IS: 0.99992510 THE N.C. LAMBERT GRID BEARING AND LOCALIZED HORIZONTAL GROUND DISTANCE FROM "B3871-2 (GPS)" TO -L- STATION 10+00.00 IS N 49° 44' 36" E, 32429.13'. ALL LINEAR DIMENSIONS ARE LOCALIZED HORIZONTAL DISTANCES VERTICAL DATUM USED IS NAVD 88

PI Sta 11+63.97  
 $\Delta = 35' 38'' 16.9''$  (RT)  
 $D = 13' 00'' 00.0''$   
 $L = 274.14'$   
 $T = 141.67'$   
 $R = 440.74'$

POT STA. 20+75.00 END STATE PROJECT B-3871  
 POT STA. 20+75.00 END F.A. PROJECT BRSTP-100(19)



30-JAN-2004 14:38  
 d:\neu\br\d9g\B-3871\Proj\B-3871-RDY\_PSH4.dgn  
 laudisch