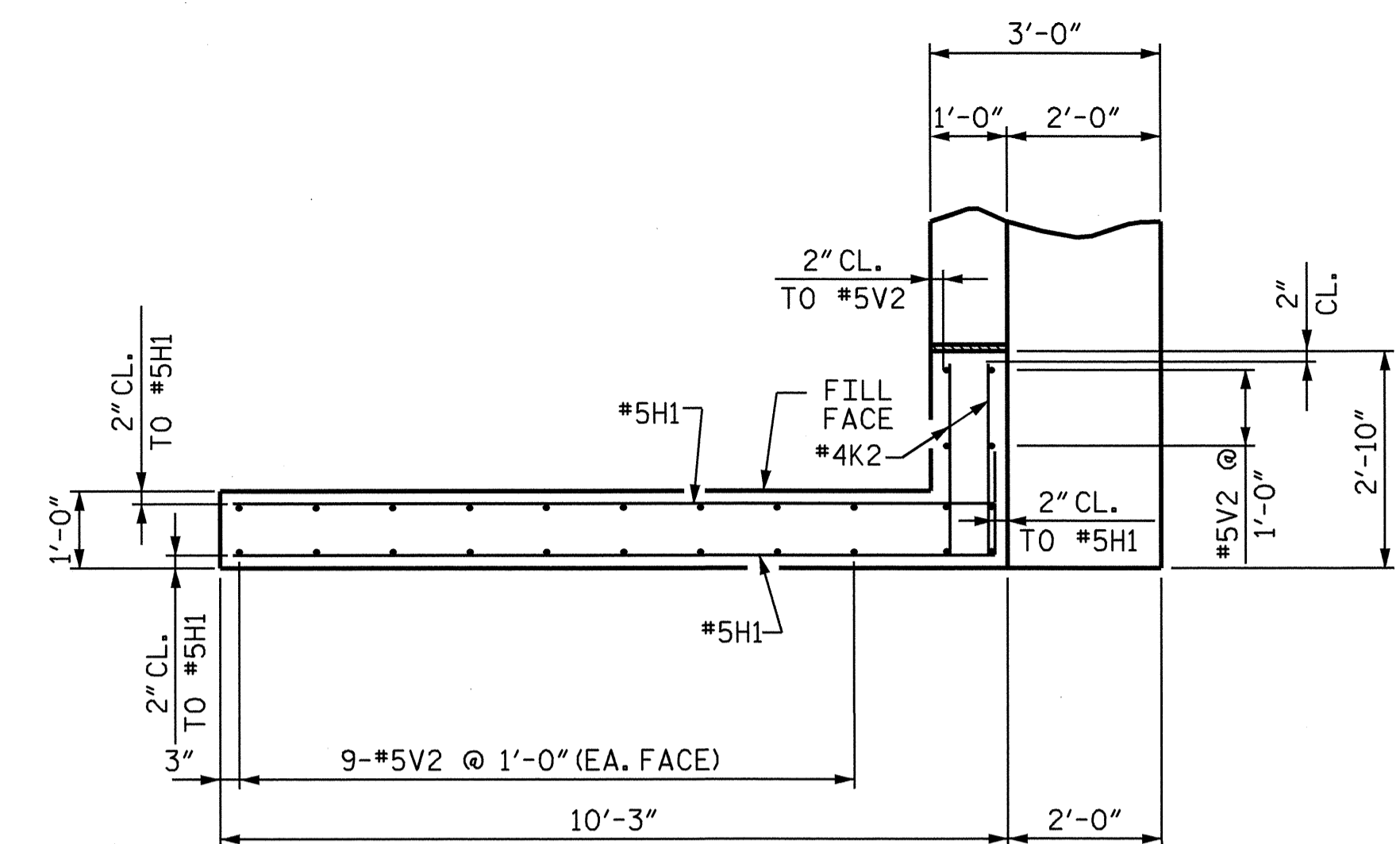
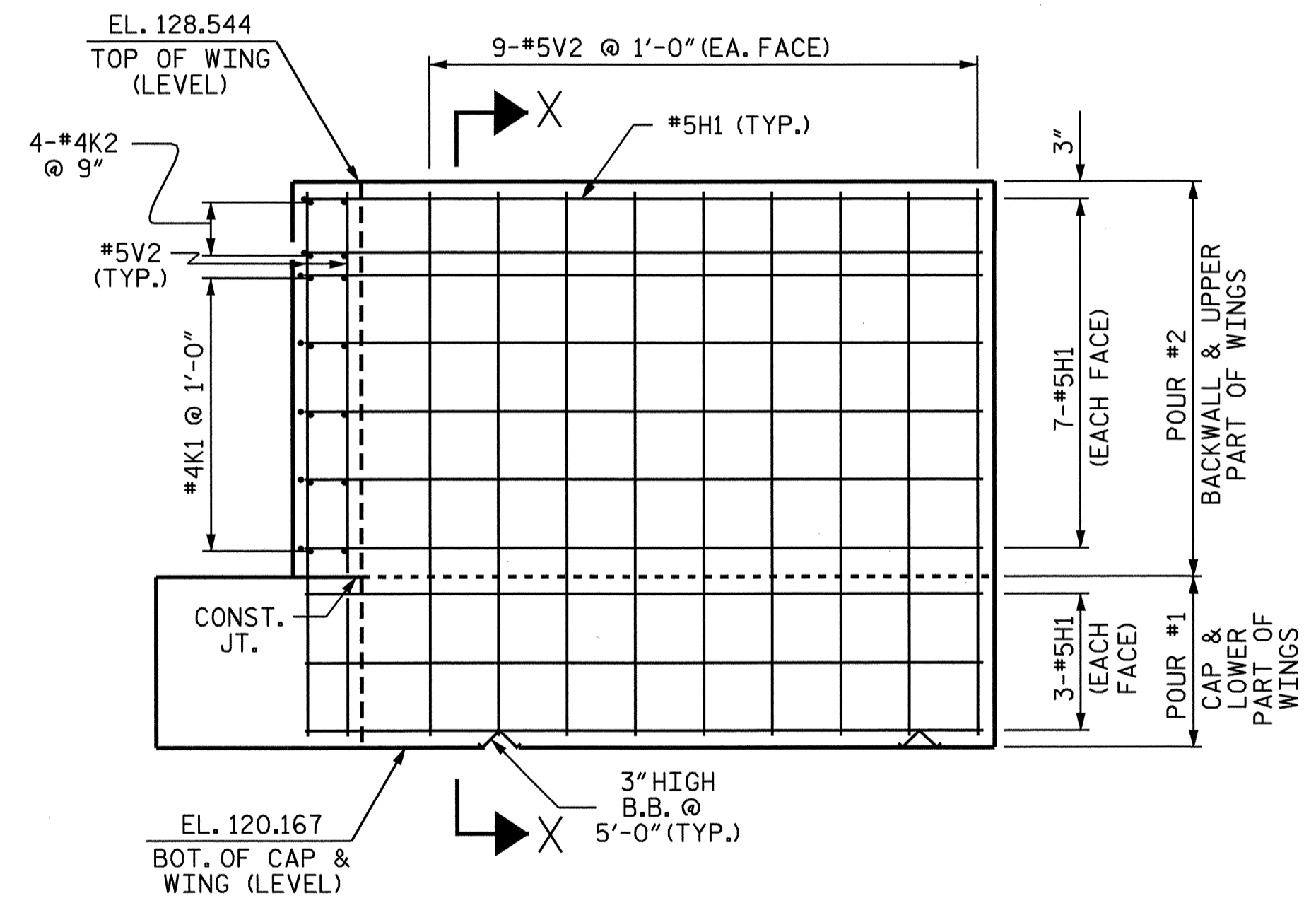


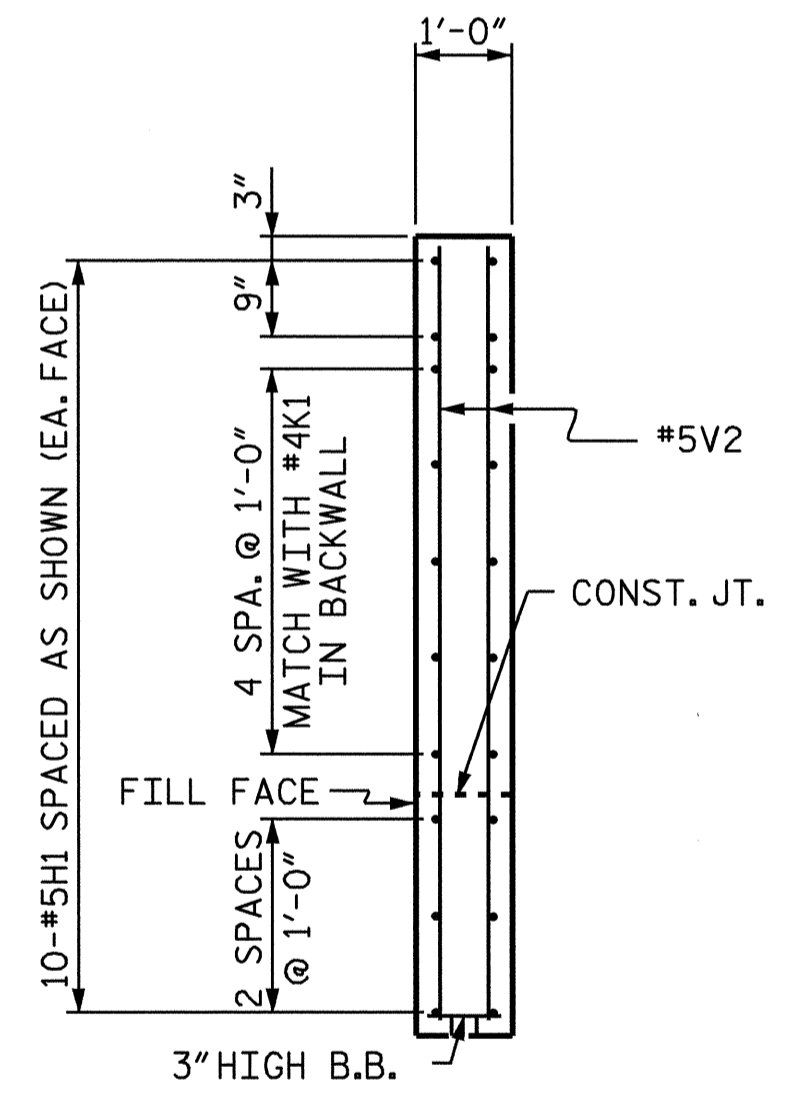
PLAN OF LEFT WING - (W1)



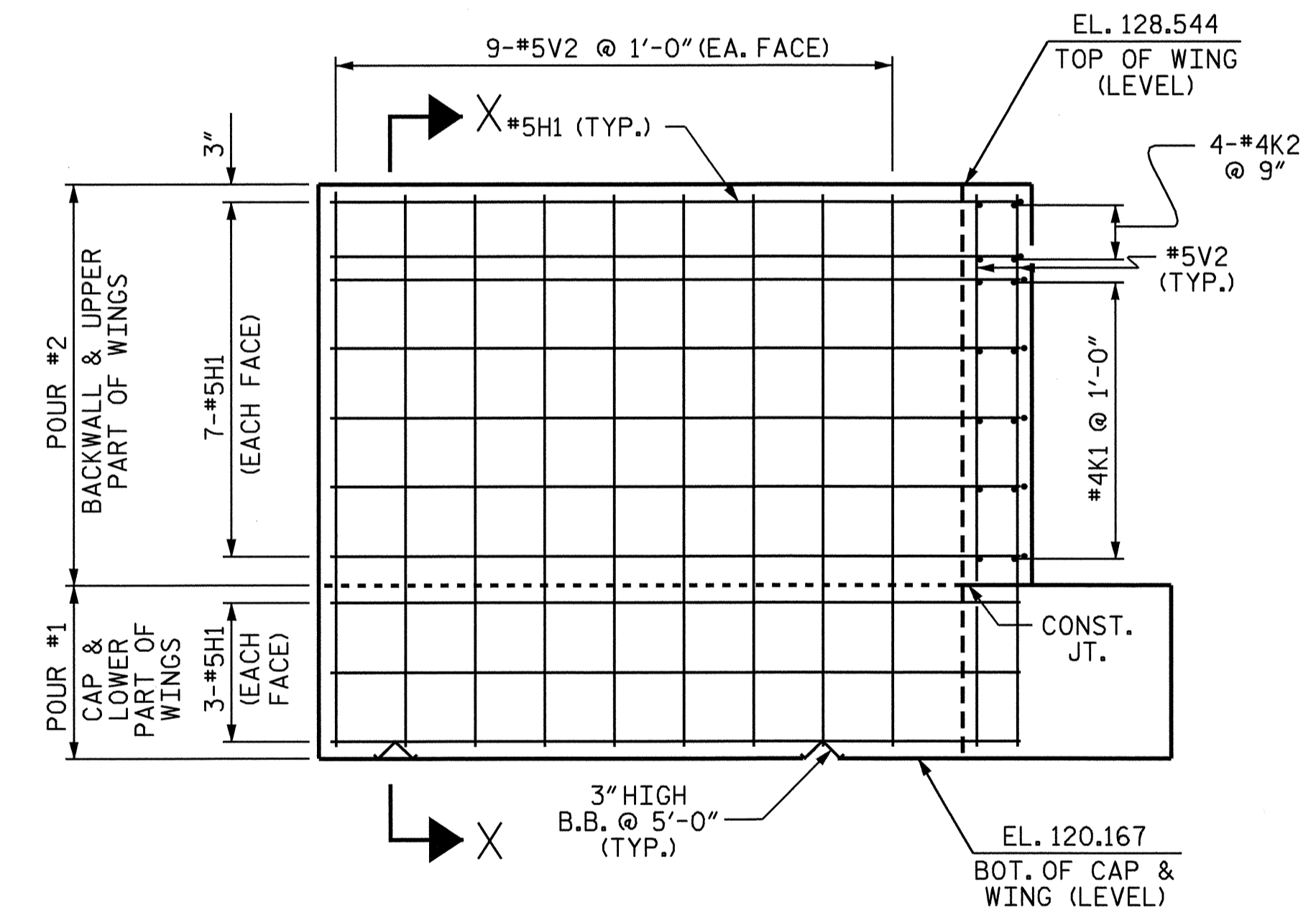
PLAN OF RIGHT WING - (W2)



ELEVATION OF LEFT WING - (W1)



SECTION X-X



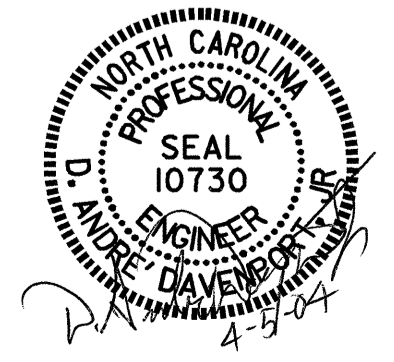
ELEVATION OF RIGHT WING - (W2)

PROJECT NO. B-3865
 JOHNSTON COUNTY
 STATION: 21+48.00 -L-

SHEET 2 OF 3

STATE OF NORTH CAROLINA
 DEPARTMENT OF TRANSPORTATION
 RALEIGH

SUBSTRUCTURE
 END BENT #1



DRAWN BY: H. T. BARBOUR DATE: 2-4-04
 CHECKED BY: D.A. DAVENPORT DATE: 2-04

REVISIONS						SHEET NO. S-19
NO.	BY:	DATE:	NO.	BY:	DATE:	
1			3			TOTAL SHEETS 33
2			4			