

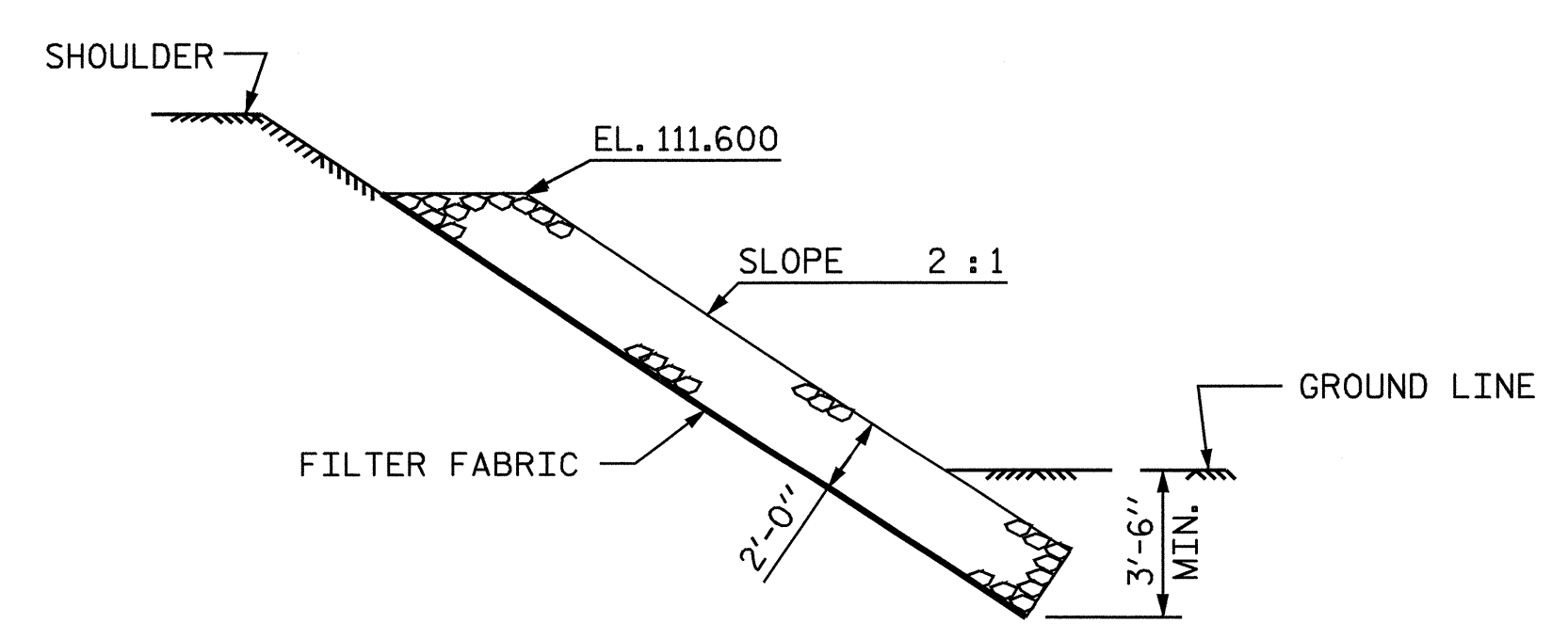
NOTES :
 FOR BERM WIDTH DIMENSIONS, SEE GENERAL DRAWING.

END BENT #1

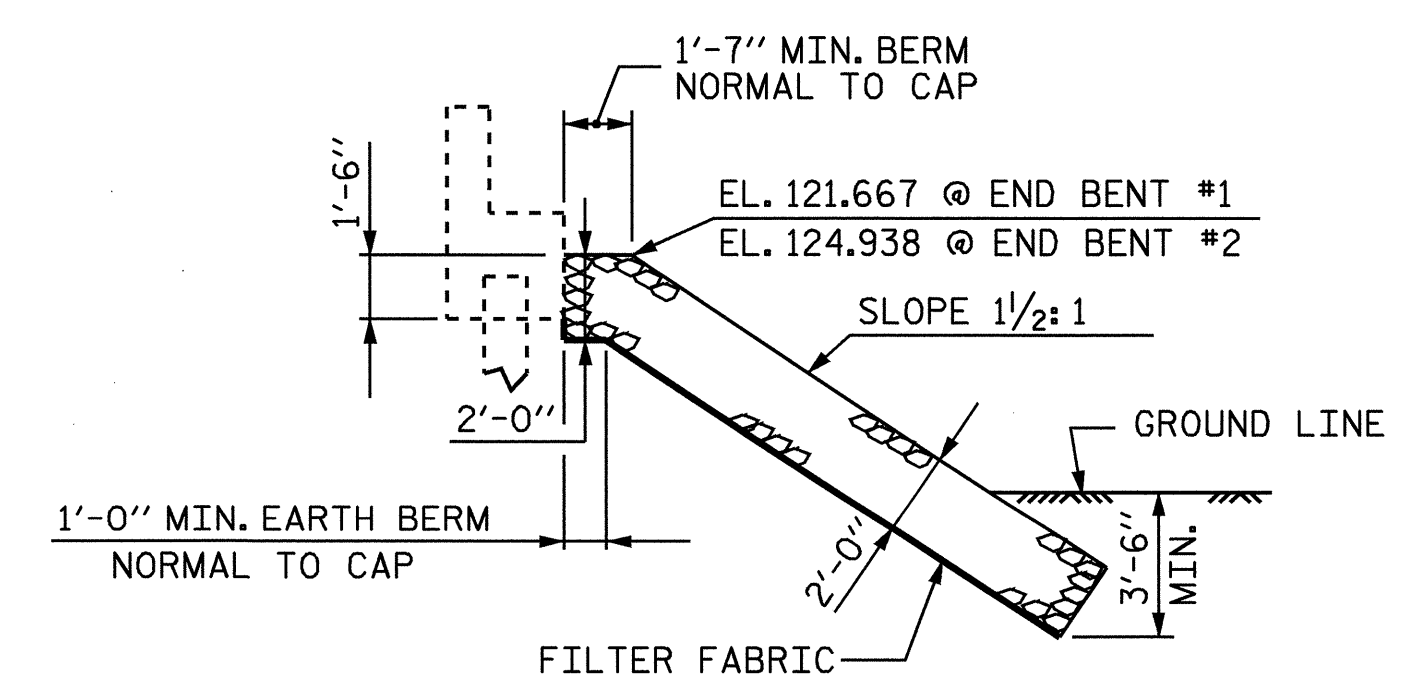
END BENT #2

PLAN

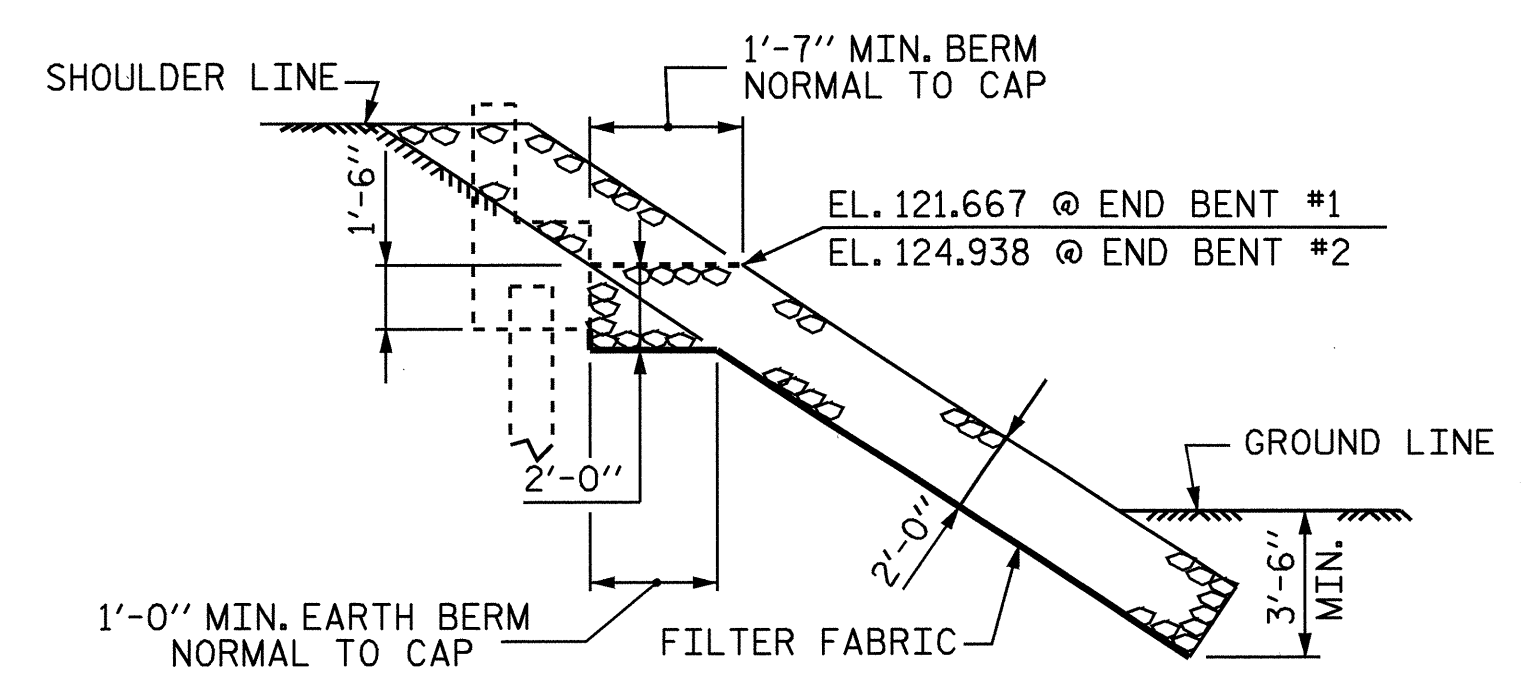
ESTIMATED QUANTITIES		
BRIDGE @ STA. 21+48.00 -L-	PLAIN RIP RAP CLASS II	FILTER FABRIC FOR DRAINAGE
	TONS	SQUARE YARDS
END BENT #1	380	420
END BENT #2	355	395
TOTAL	735	815



SECTION C-C



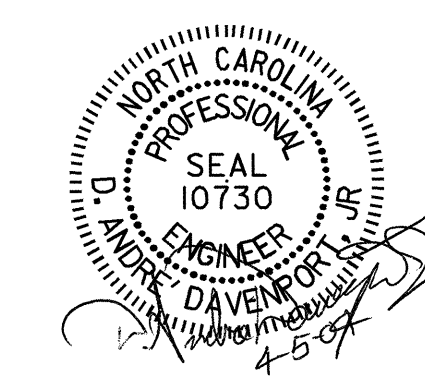
**SECTION H-H
 BERM RIP RAPPED**



SECTION H-H

PROJECT NO. B-3865
JOHNSTON COUNTY
 STATION: 21+48.00 -L-

STATE OF NORTH CAROLINA
 DEPARTMENT OF TRANSPORTATION
 RALEIGH
RIP RAP DETAILS



DRAWN BY : D. G. ELY DATE : 6/03
 CHECKED BY : H. T. BARBOUR DATE : 2/4/04

REVISIONS						SHEET NO. S-30
NO.	BY:	DATE:	NO.	BY:	DATE:	
1			3			TOTAL SHEETS 33
2			4			