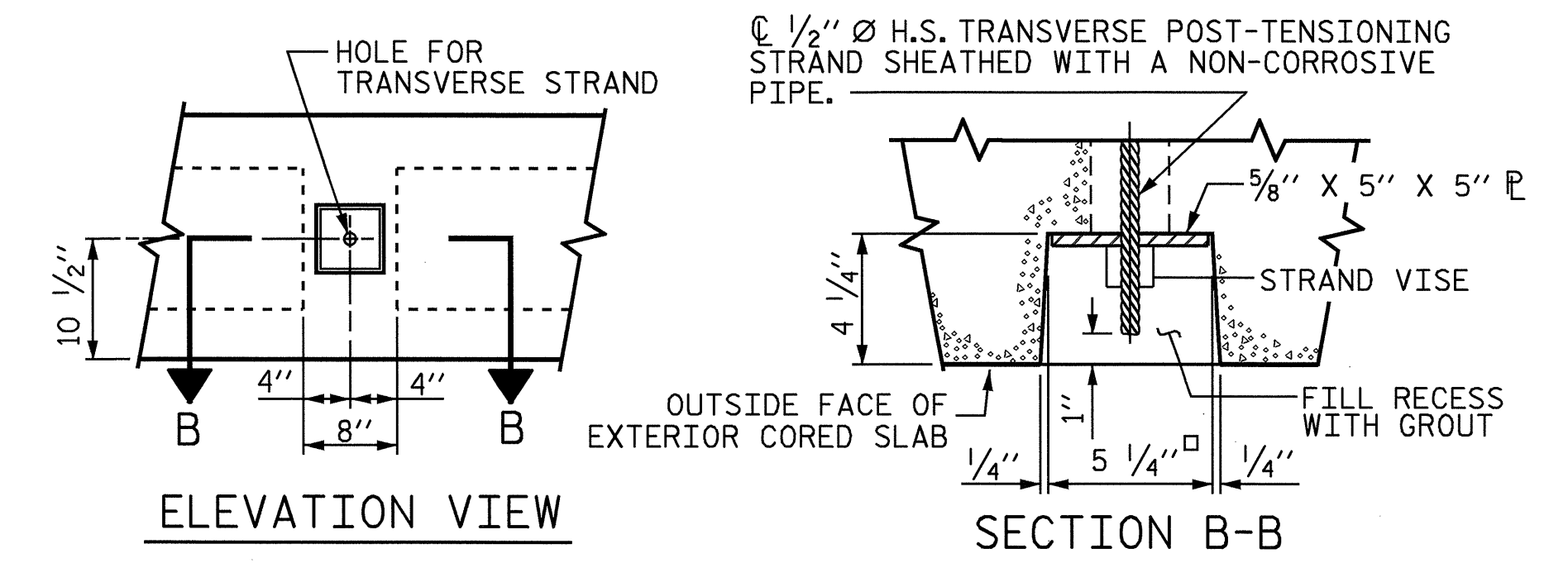
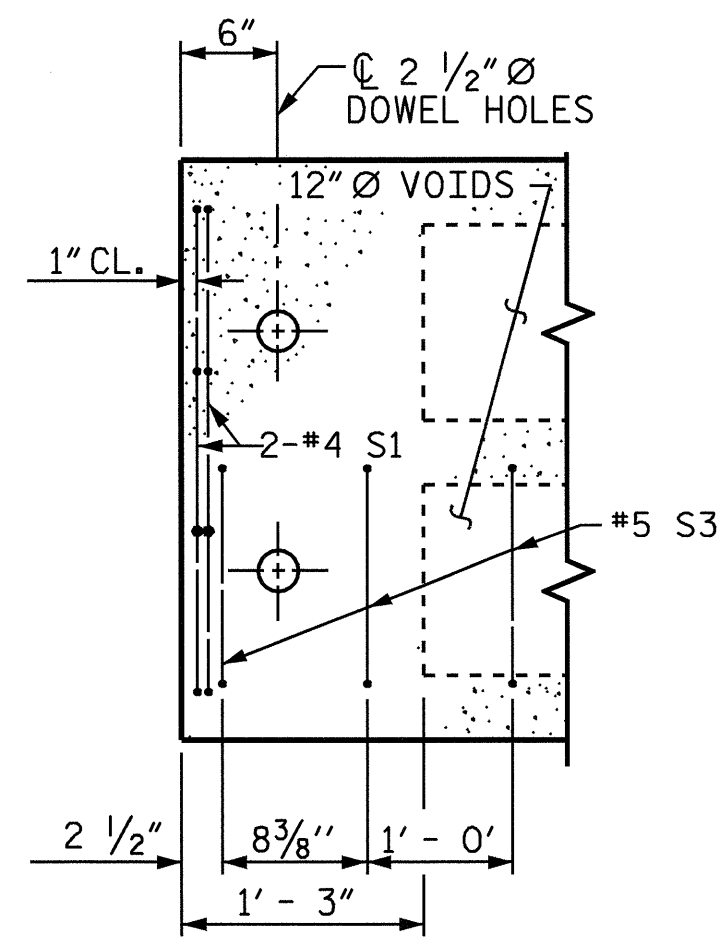
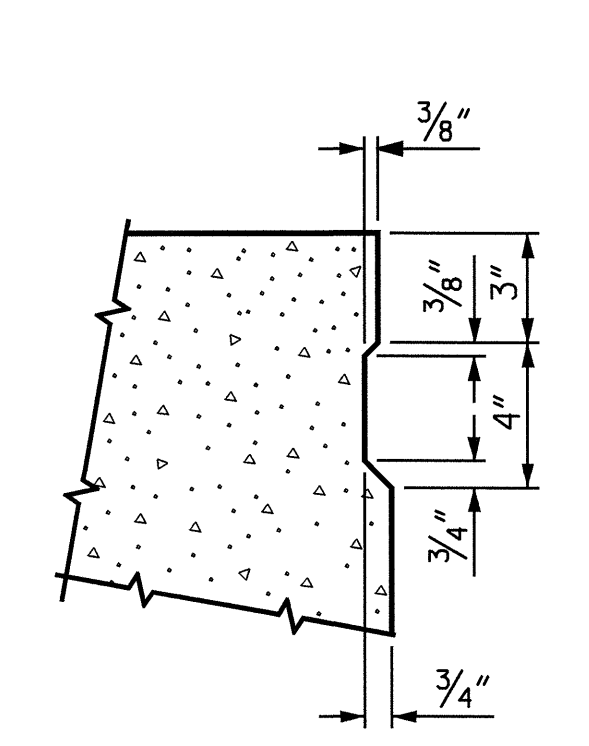
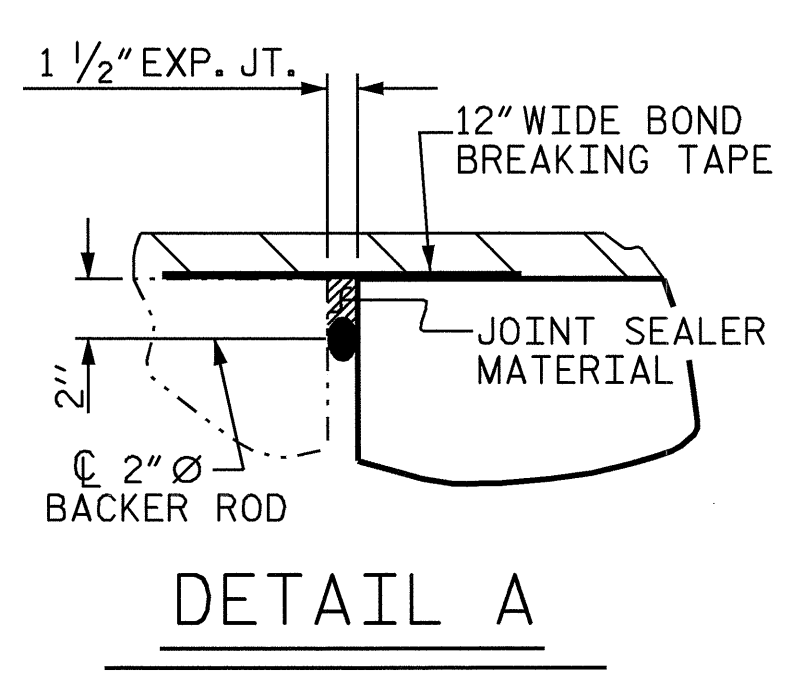
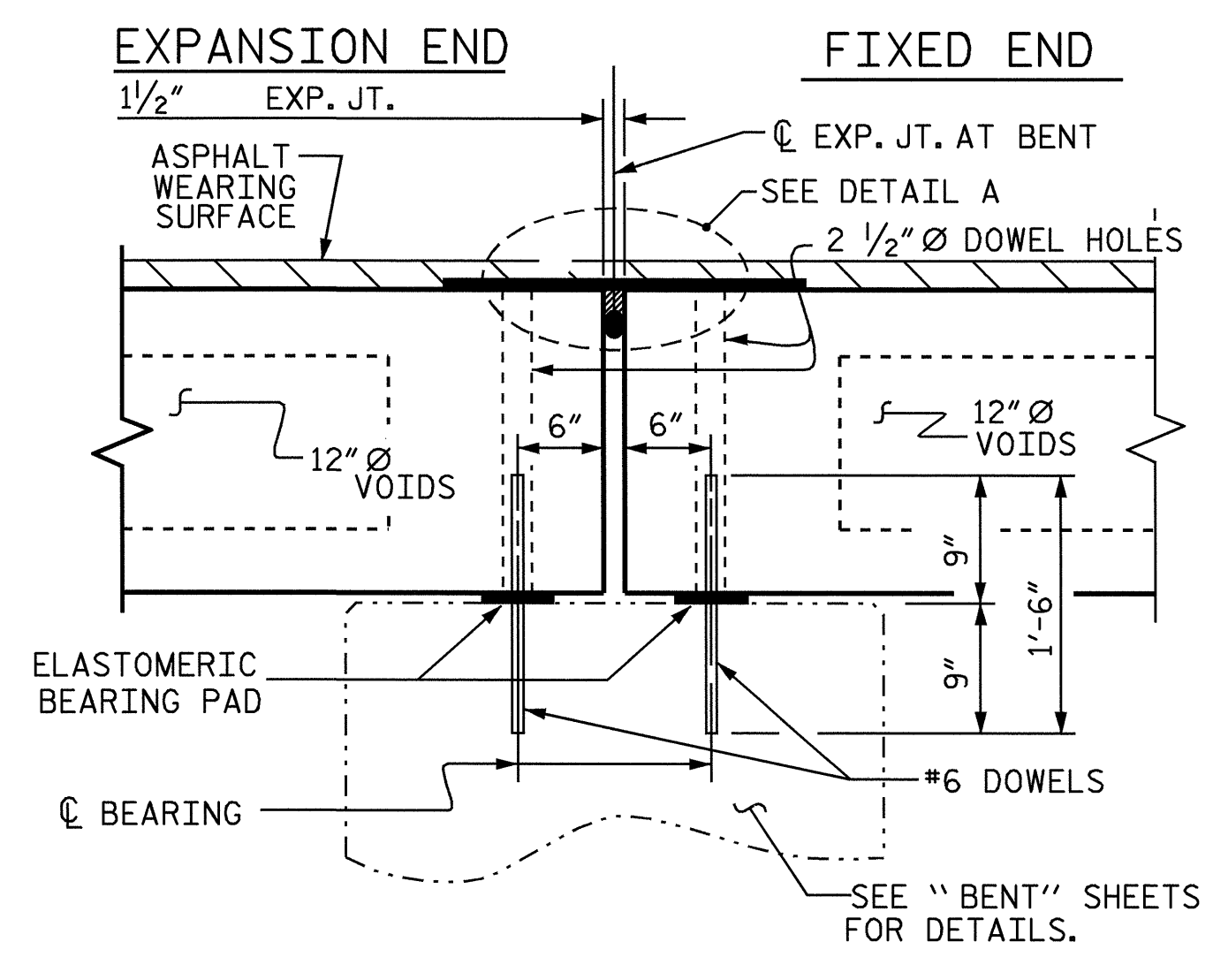
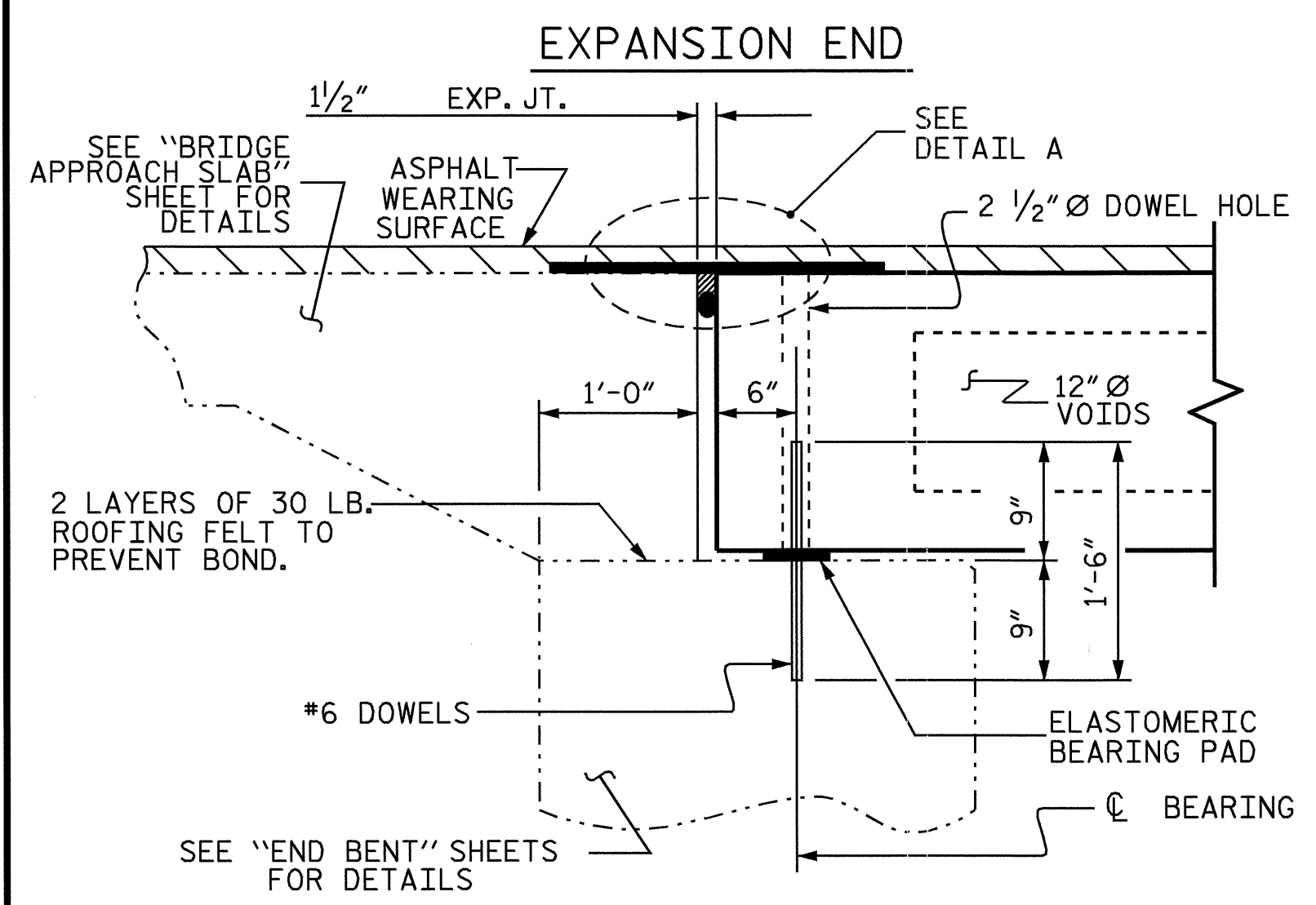
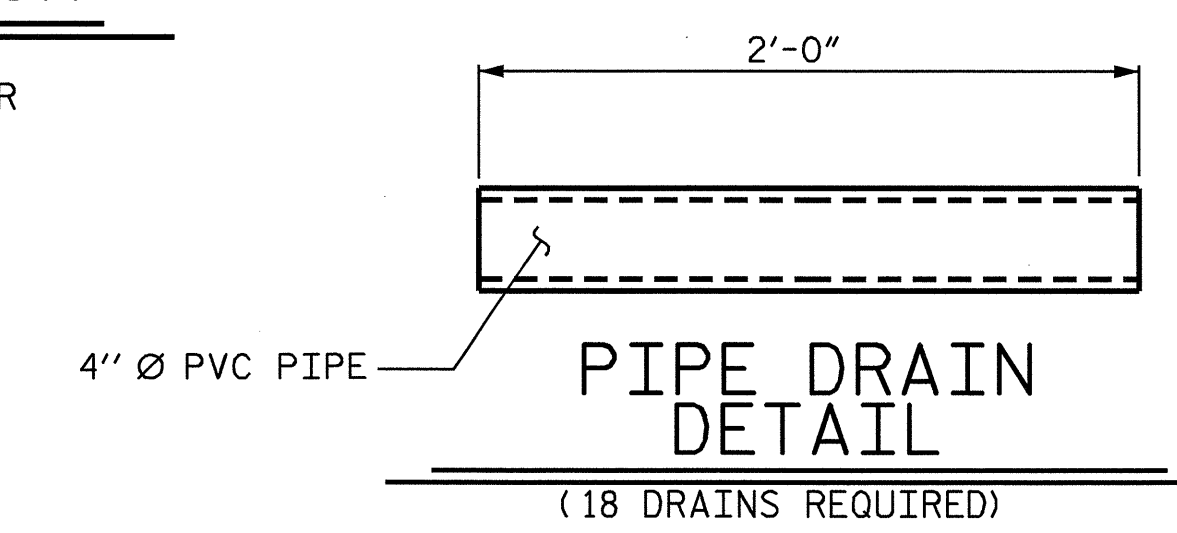


PART PLAN-EXTERIOR SECTION

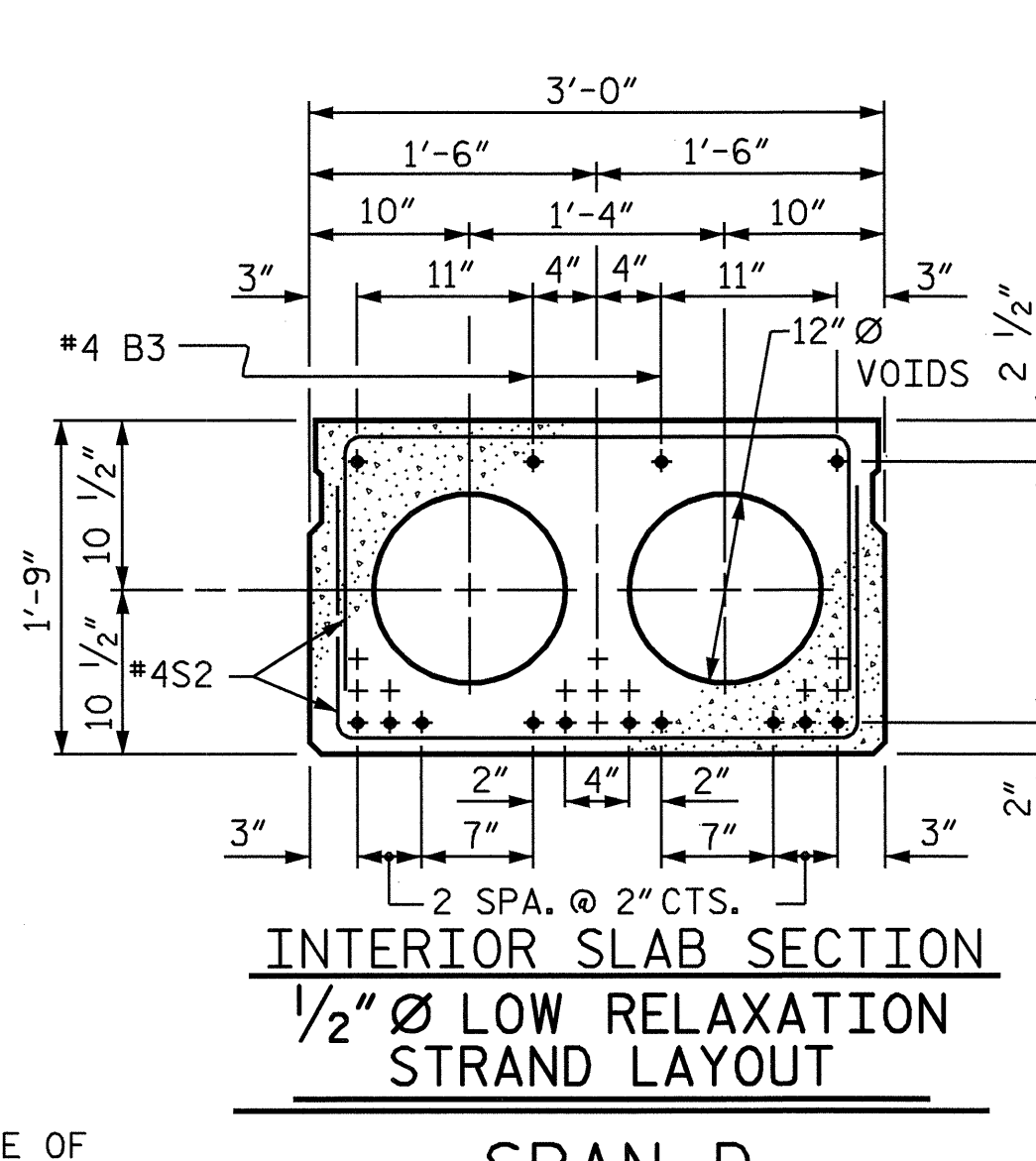
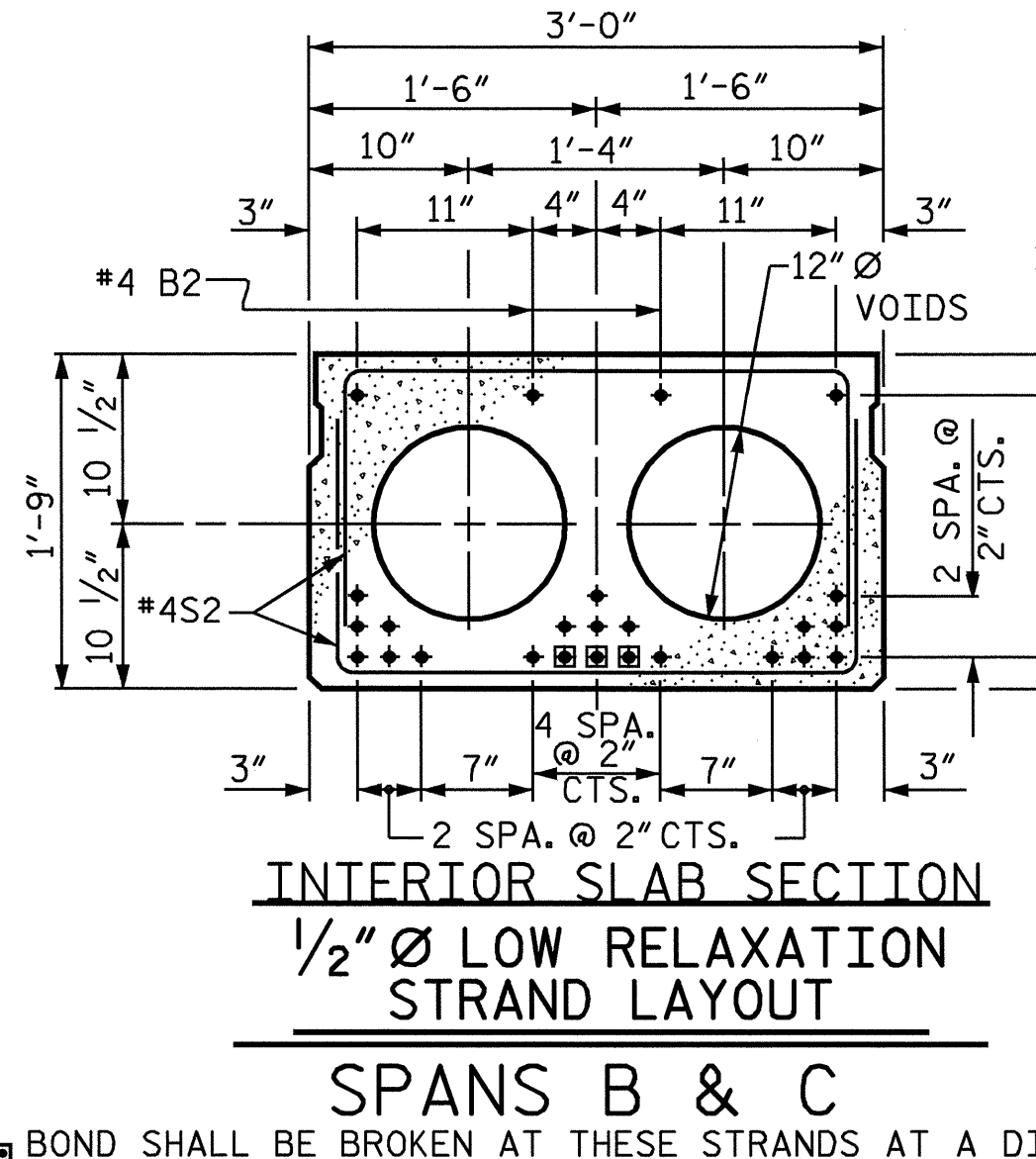
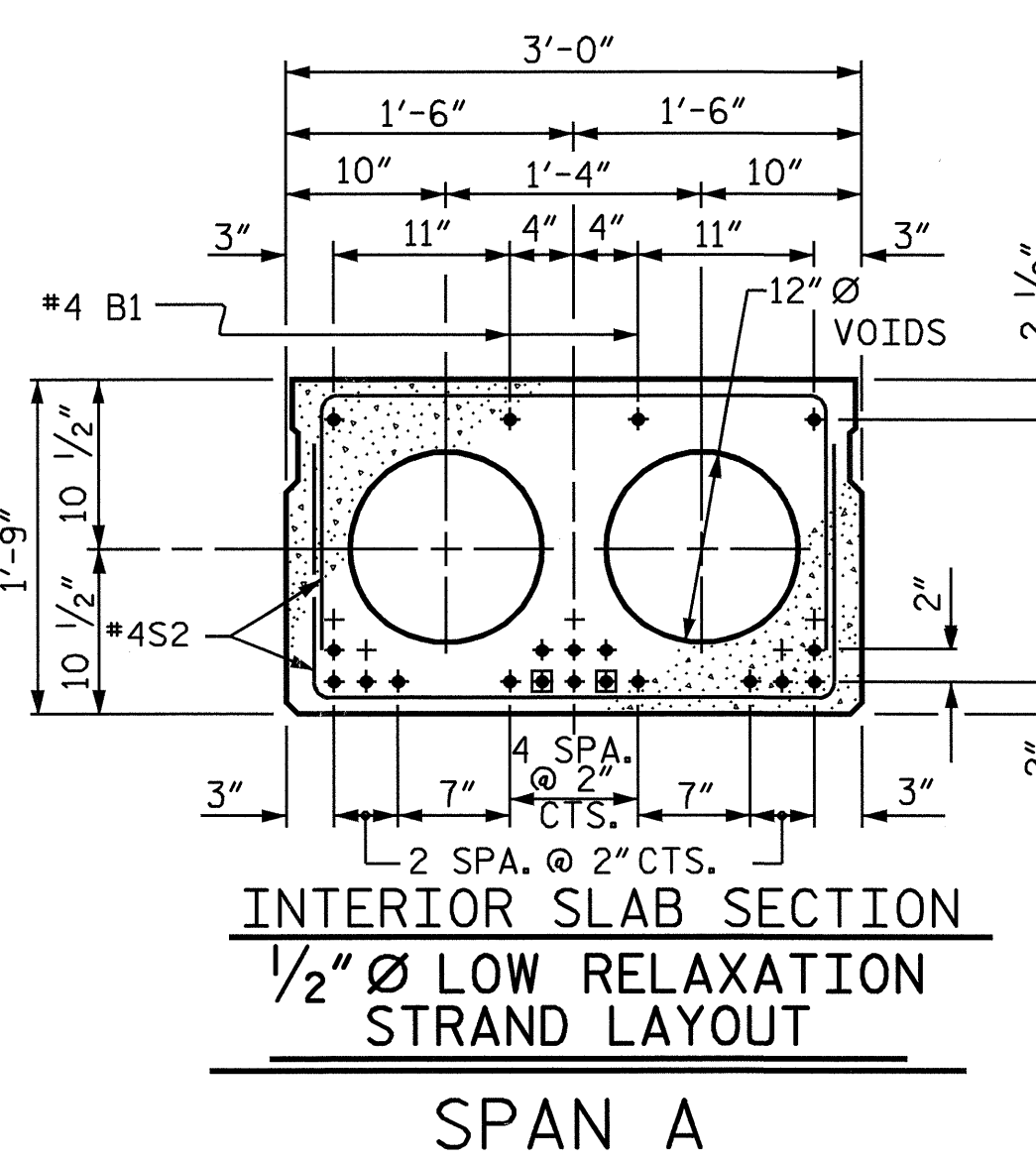
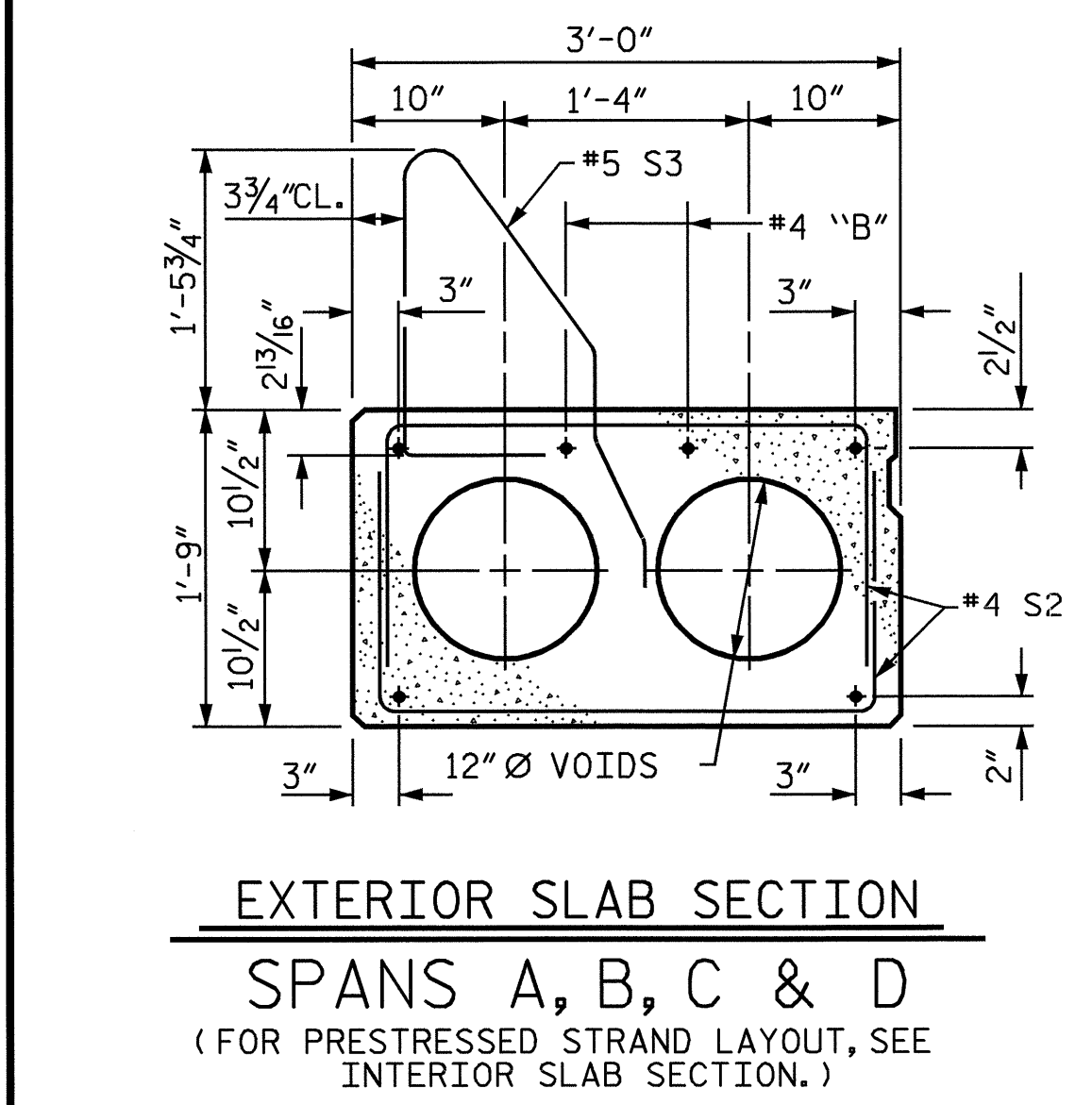
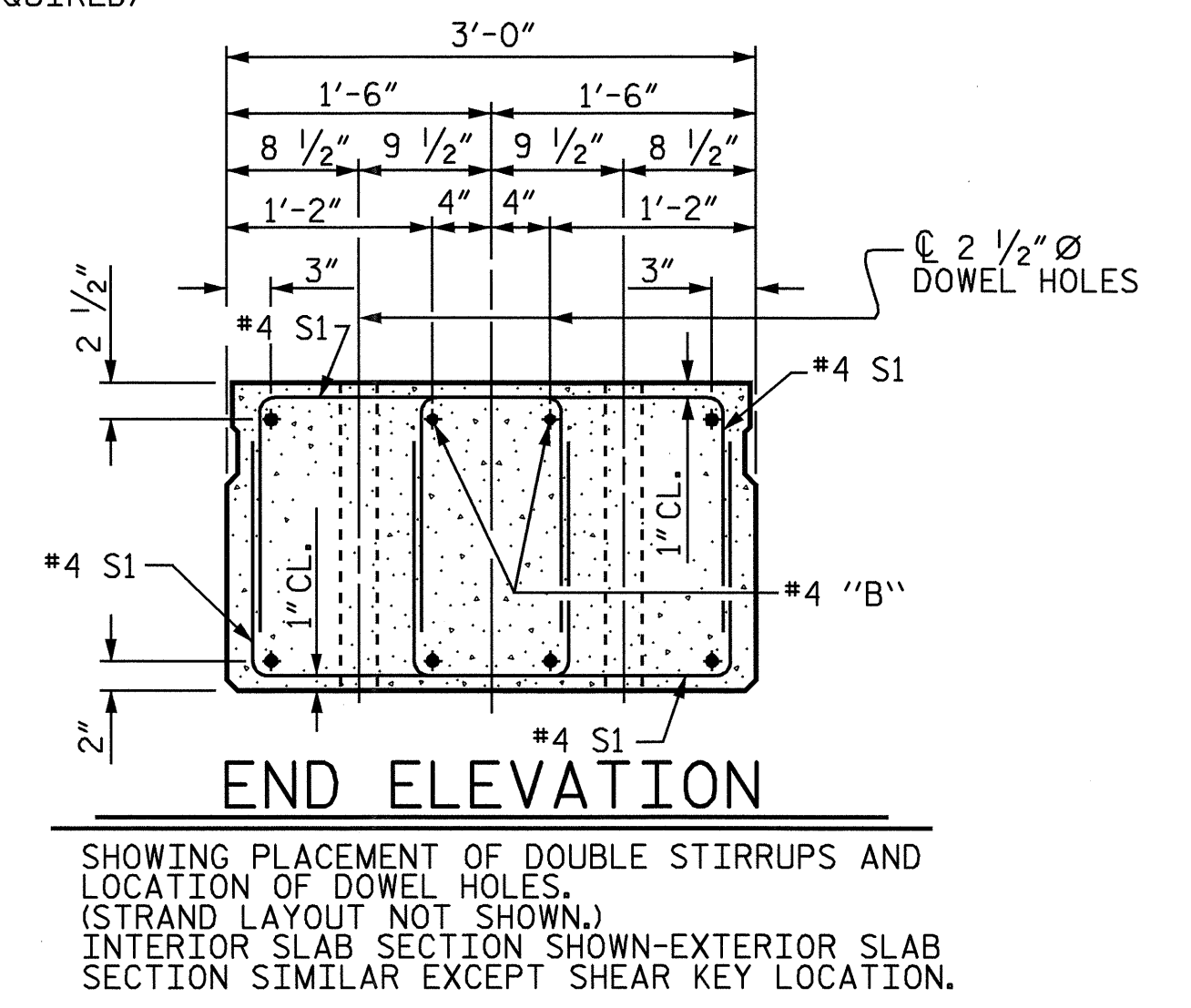
NOTE: EXTERIOR SECTION SHOWN-INTERIOR SECTION SIMILAR EXCEPT OMIT S3 BARS. SEE PLAN OF SPAN FOR DIM. A



GROUTED RECESS AT END OF POST-TENSIONED STRAND CORED SLABS



NOTE: OMIT SHEAR KEY ON OUTSIDE FACE OF EXTERIOR CORED SLABS.



ASSEMBLED BY : S. M. RASHIDI	DATE : 4/14/03
CHECKED BY : N. TRAN	DATE : 10/31/03
DRAWN BY : WJH 4/89	REV. 8/16/99 RWW/LFS
CHECKED BY : FCJ 5/89	REV. 10/17/00 RWW/LFS
	REV. 7/10/01 RWW/LFS

BOND SHALL BE BROKEN AT THESE STRANDS AT A DISTANCE OF FOUR FEET FROM THE END OF CORED SLAB UNIT. SEE STANDARD SPECIFICATIONS ARTICLE 1078-7.



PROJECT NO. B-4139
 HARNETT COUNTY
 STATION: 17+68.00 -L-
 SHEET 1 OF 7

STATE OF NORTH CAROLINA DEPARTMENT OF TRANSPORTATION RALEIGH					
STANDARD 3'-0" X 1'-9" PRESTRESSED CONCRETE CORED SLAB UNIT					
REVISIONS					
NO.	BY:	DATE:	NO.	BY:	DATE:
1			3		
2			4		
					SHEET NO. S-4
					TOTAL SHEETS 22