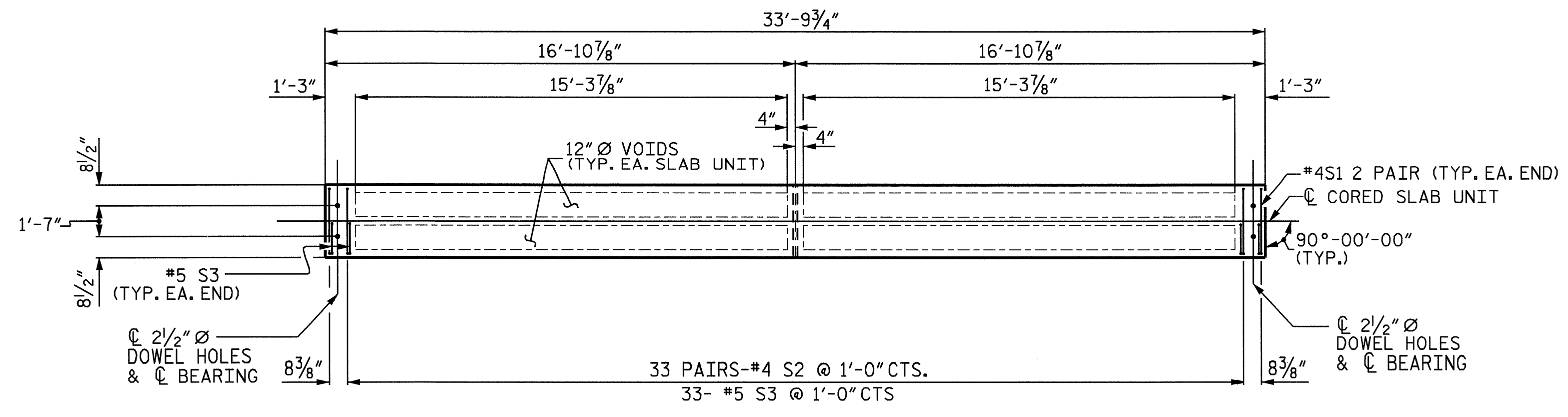


**PLAN OF SPAN D**

\*4B3 SPLICE LENGTH = 1'-9"

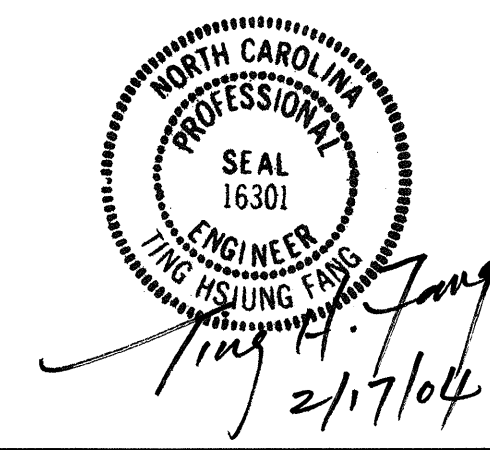


**PLAN OF EXTERIOR SLAB - SPAN D**

PLAN FOR INTERIOR SLAB IDENTICAL EXCEPT OMIT S3 BARS

PROJECT NO. B-4139  
HARNETT COUNTY  
 STATION: 17+68.00 -L-  
 SHEET 5 OF 7

STATE OF NORTH CAROLINA DEPARTMENT OF TRANSPORTATION RALEIGH					
SUPERSTRUCTURE PLAN OF SPAN					
REVISIONS					
NO.	BY:	DATE:	NO.	BY:	DATE:
1			3		
2			4		
					SHEET NO. S-8
					TOTAL SHEETS 22



DRAWN BY: S. M. RASHIDI DATE: 4/14/03  
 CHECKED BY: N. TRAN DATE: 10/31/03