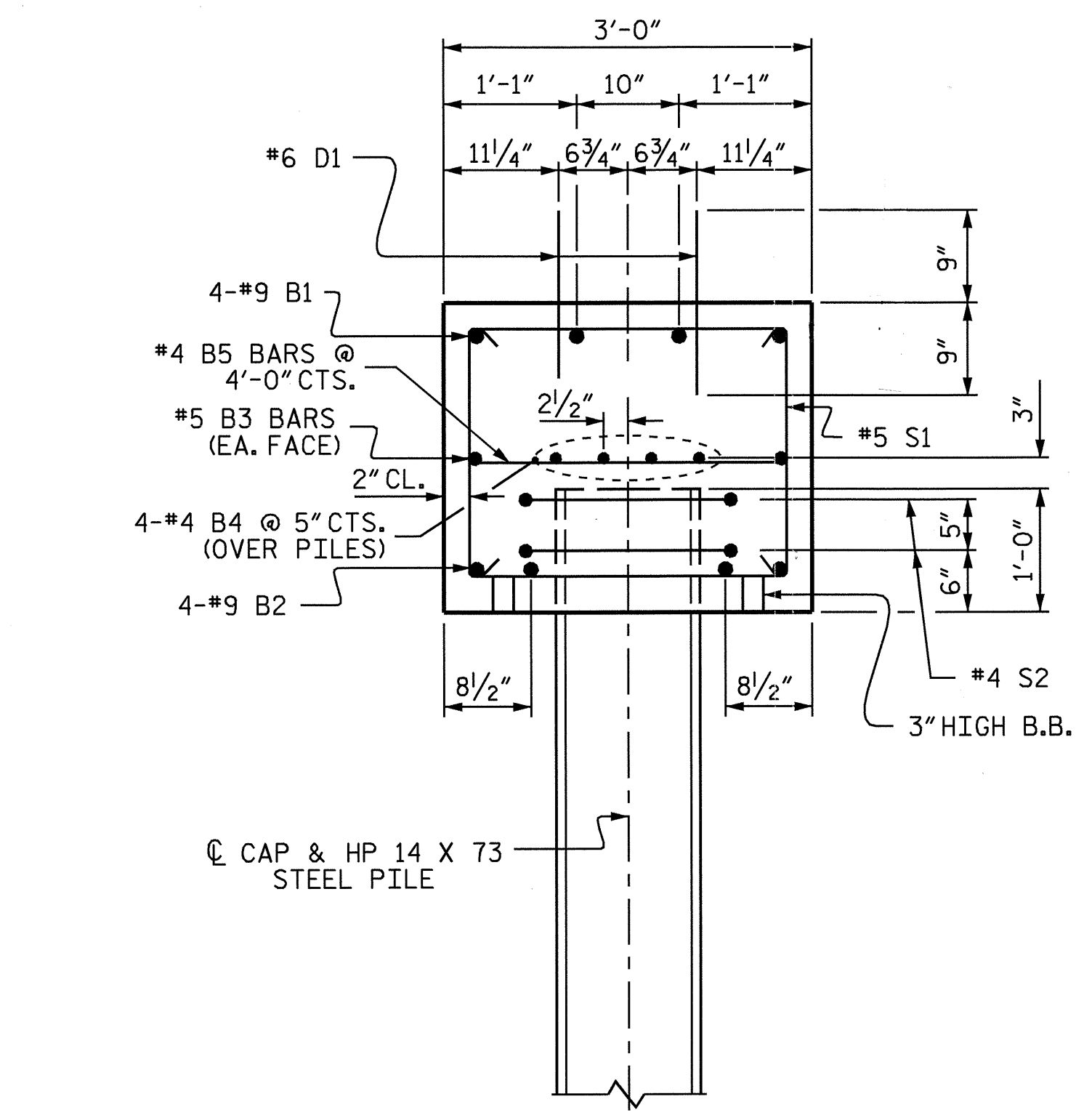
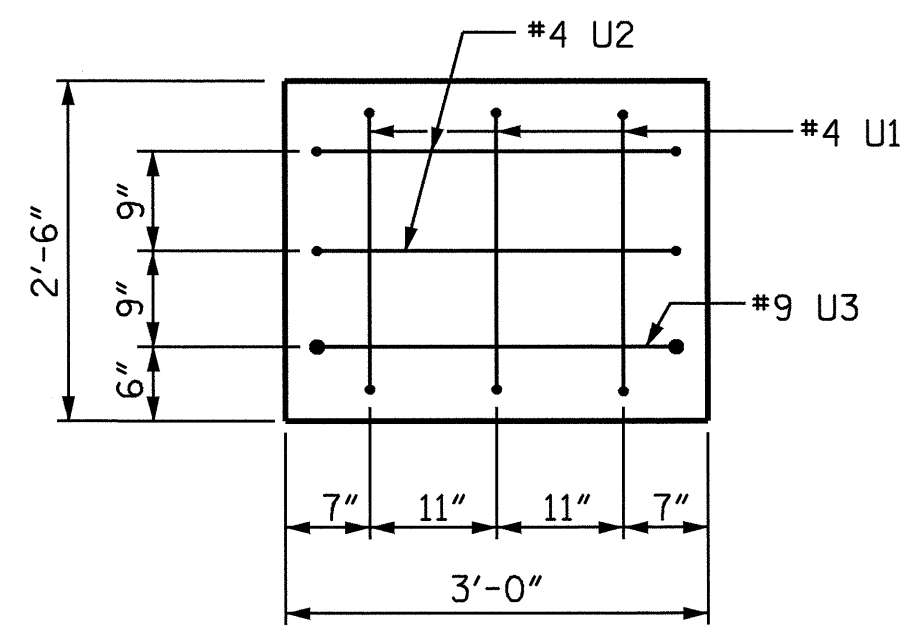


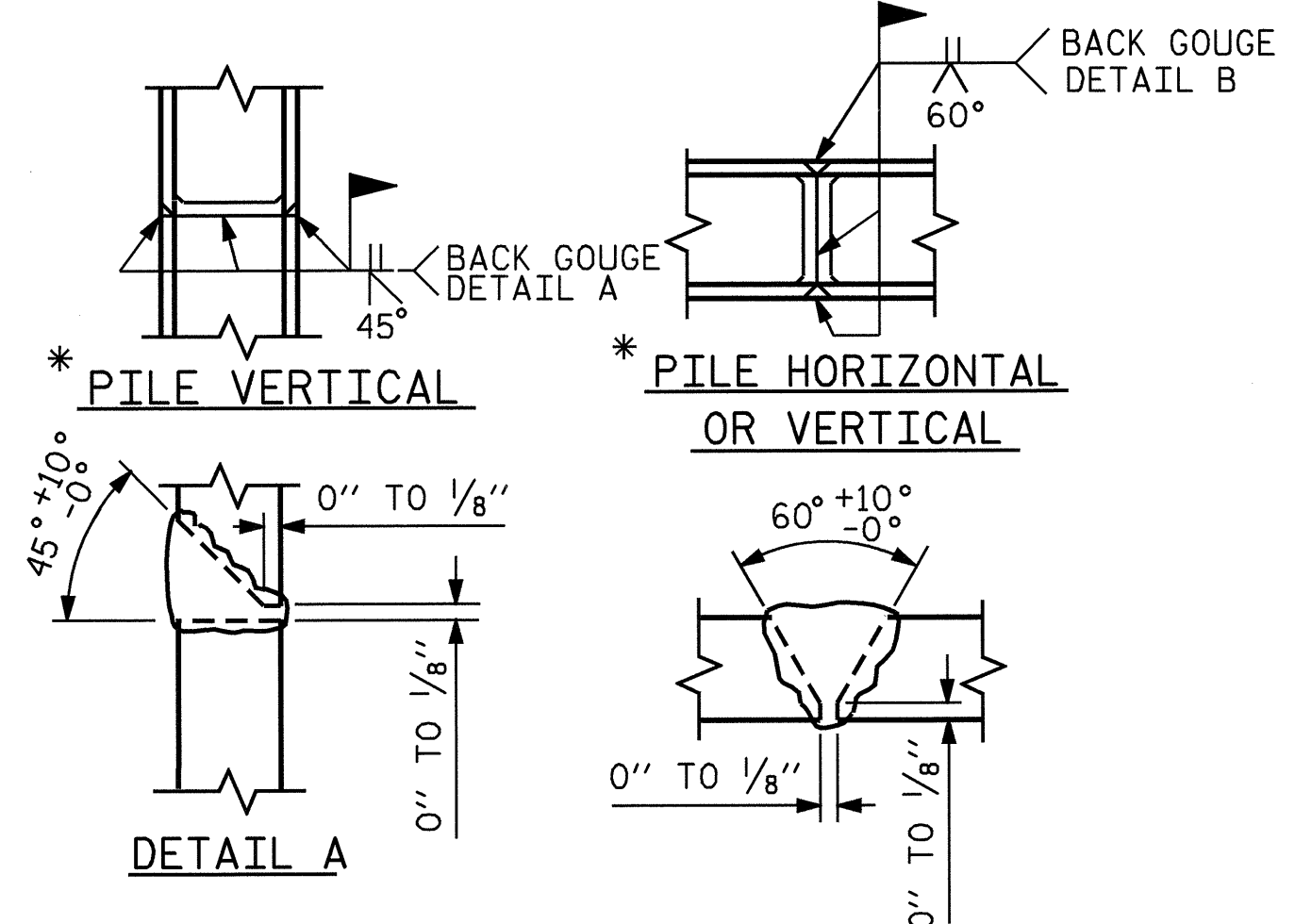
PLAN OF STEEL PILES



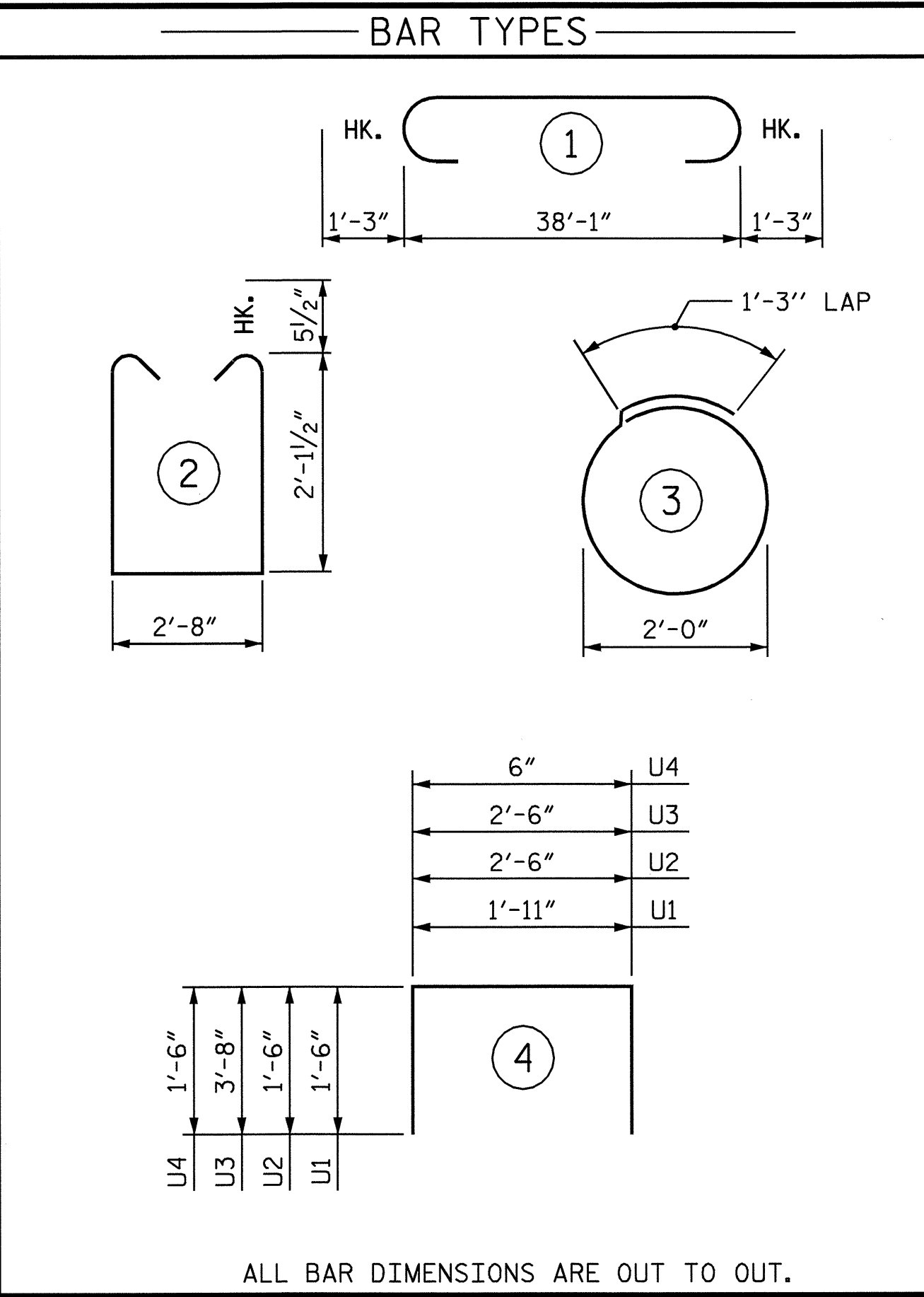
SECTION A-A



END VIEW



PILE SPLICE DETAILS



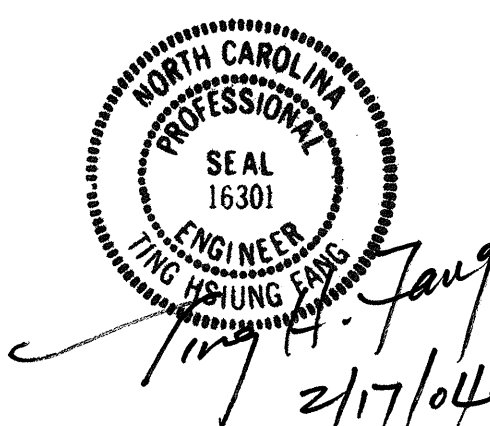
ALL BAR DIMENSIONS ARE OUT TO OUT.

BILL OF MATERIAL					
BENT 1					
BAR NO.	SIZE	TYPE	LENGTH	WEIGHT	
B1	4	9	1	40'-7"	552
B2	4	9	STR	38'-3"	520
B3	2	5	STR	38'-3"	80
B4	8	4	STR	20'-5"	109
B5	14	4	STR	2'-8"	25
S1	42	5	2	7'-10"	343
S2	16	4	3	7'-7"	81
D1	48	6	STR	1'-6"	108
U1	6	4	4	4'-11"	20
U2	4	4	4	5'-6"	15
U3	2	9	4	9'-10"	67
U4	8	4	4	3'-6"	19
REINFORCING STEEL					LBS. 1939
CLASS 'A' CONCRETE					
POUR #1				CU. YD.	10.7
POUR #2				CU. YD.	0.1
TOTAL:				CU. YD.	10.8
HP 14 X 73 STEEL PILES					
NO. 8				LINEAR FEET	400.0

BILL OF MATERIAL					
BENT 2					
BAR NO.	SIZE	TYPE	LENGTH	WEIGHT	
B1	4	9	1	40'-7"	552
B2	4	9	STR	38'-3"	520
B3	2	5	STR	38'-3"	80
B4	8	4	STR	20'-5"	109
B5	14	4	STR	2'-8"	25
S1	42	5	2	7'-10"	343
S2	16	4	3	7'-7"	81
D1	48	6	STR	1'-6"	108
U1	6	4	4	4'-11"	20
U2	4	4	4	5'-6"	15
U3	2	9	4	9'-10"	67
U4	8	4	4	3'-6"	19
REINFORCING STEEL					LBS. 1939
CLASS 'A' CONCRETE					
POUR #1				CU. YD.	10.7
POUR #2				CU. YD.	0.1
TOTAL:				CU. YD.	10.8
HP 14 X 73 STEEL PILES					
NO. 8				LINEAR FEET	360.0

PROJECT NO. B-4139  
HARNETT COUNTY  
 STATION: 17+68.00 -L-

SHEET 2 OF 2  
 STATE OF NORTH CAROLINA  
 DEPARTMENT OF TRANSPORTATION  
 RALEIGH  
 SUBSTRUCTURE  
 BENTS 1 & 2



REVISIONS						SHEET NO.
NO.	BY:	DATE:	NO.	BY:	DATE:	S-14
1			3			TOTAL SHEETS
2			4			22