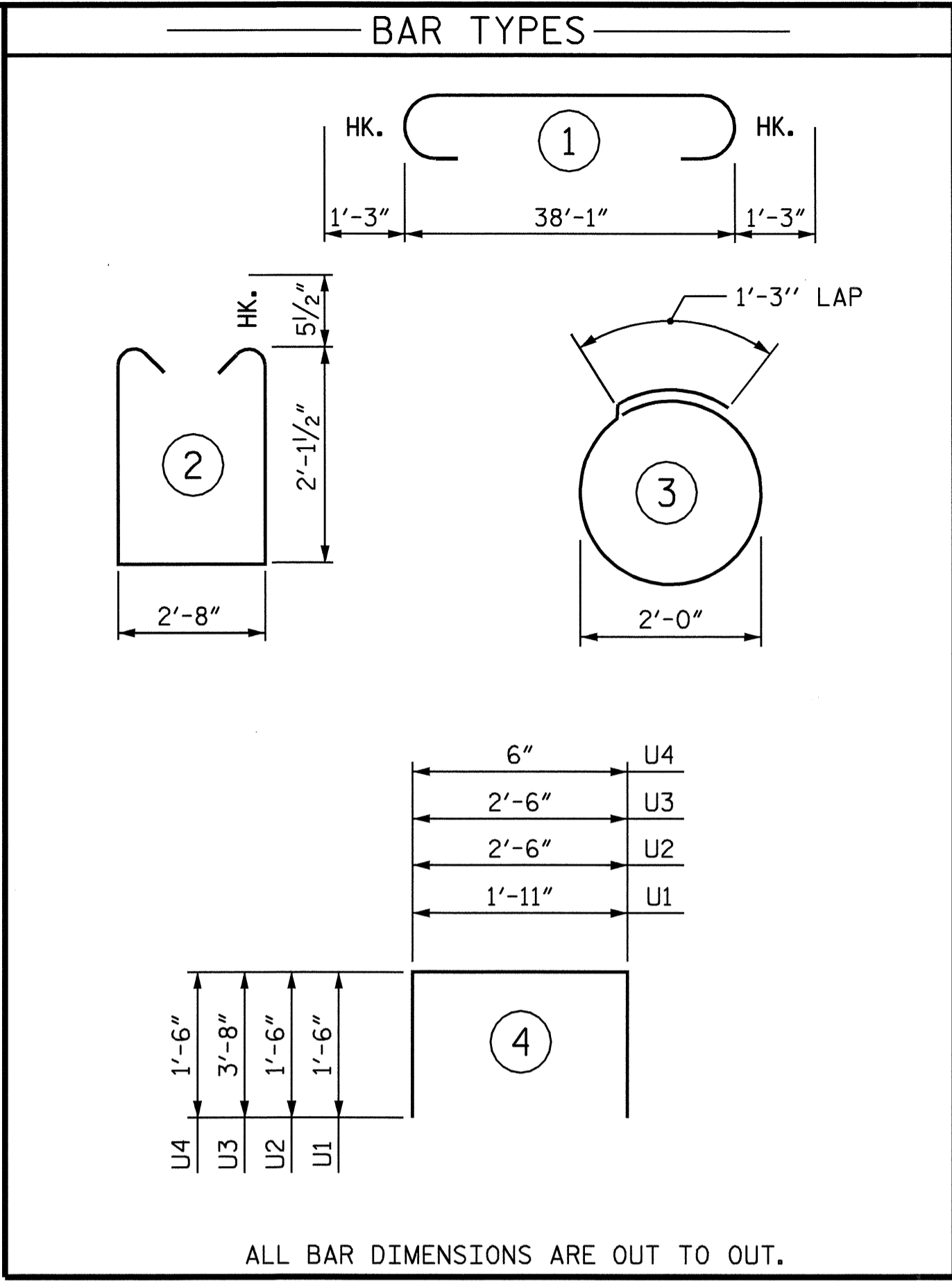
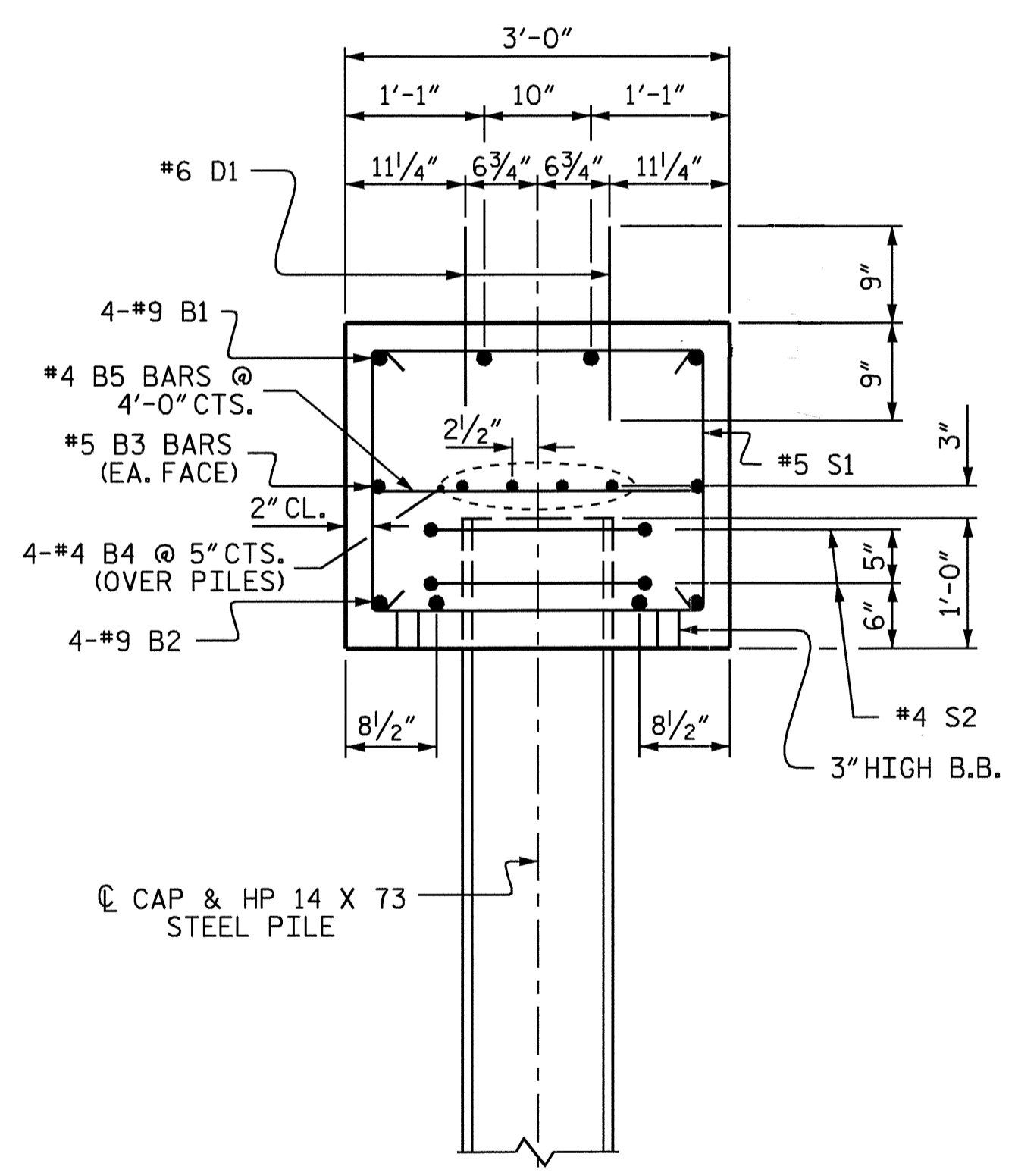


PLAN OF STEEL PILES

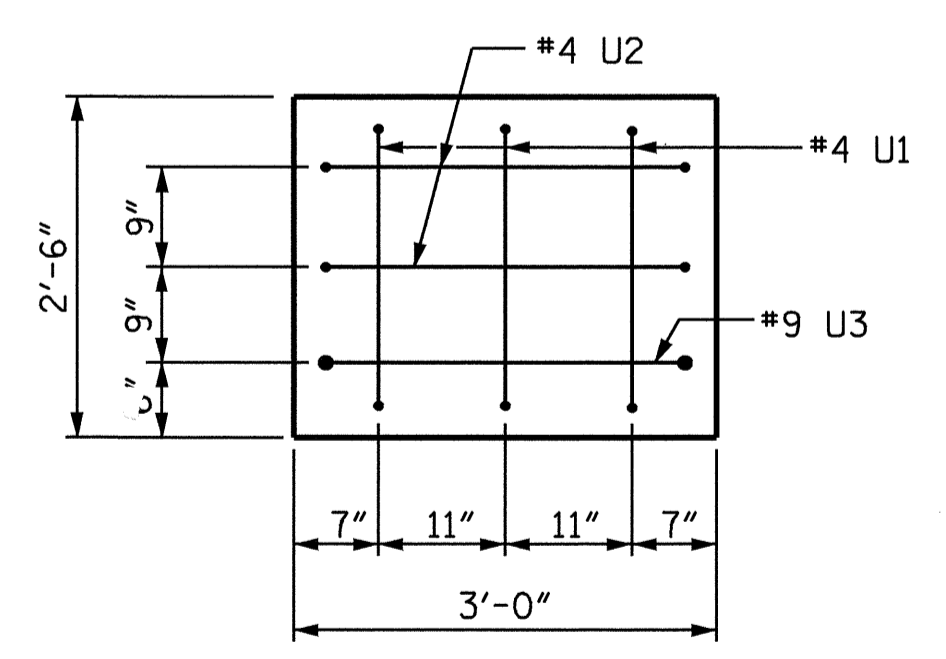


ALL BAR DIMENSIONS ARE OUT TO OUT.

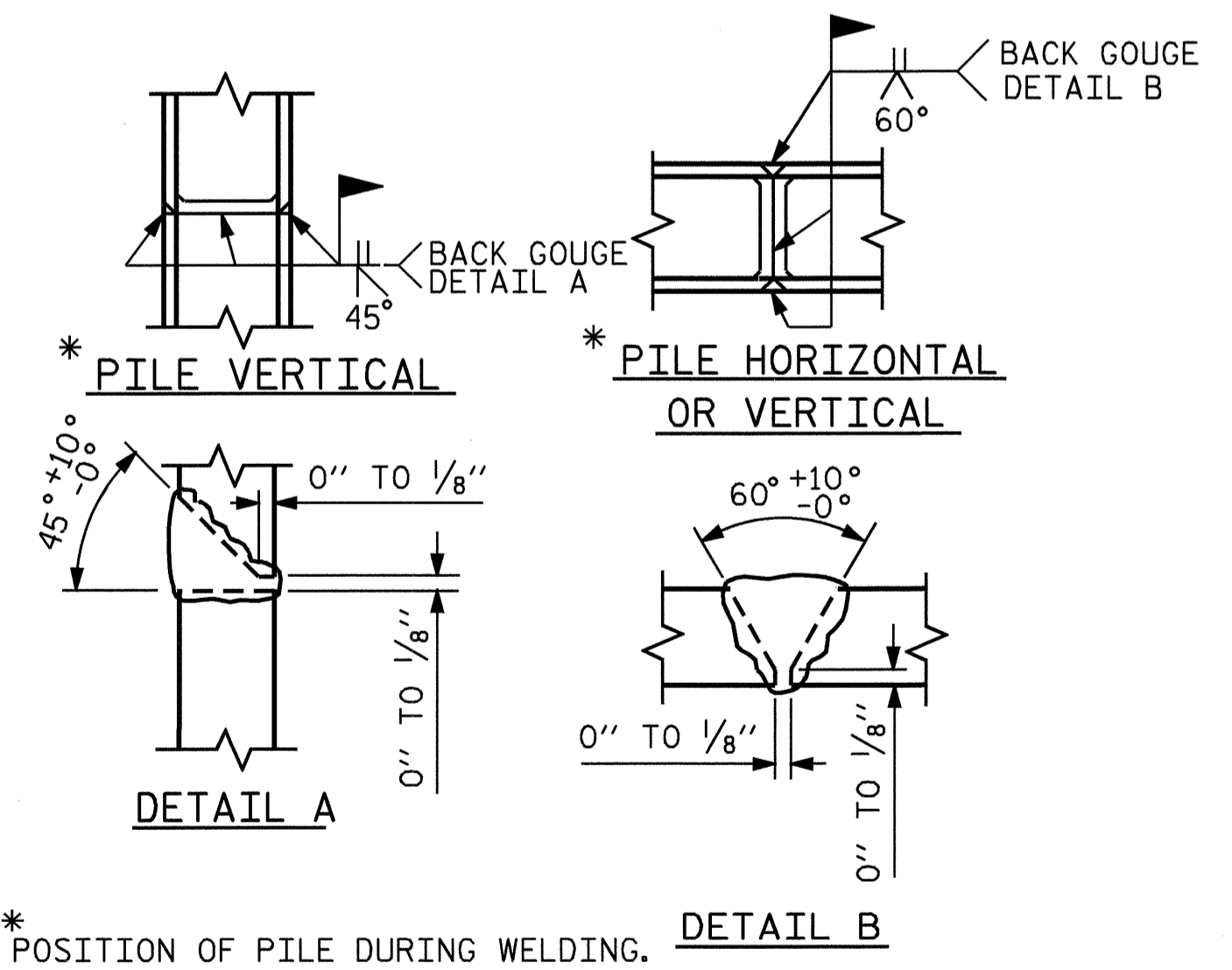
BILL OF MATERIAL					
BENT 3					
BAR NO.	SIZE	TYPE	LENGTH	WEIGHT	
B1	4	9	1	40'-7"	552
B2	4	9	STR	38'-3"	520
B3	2	5	STR	38'-3"	80
B4	8	4	STR	20'-5"	109
B5	14	4	STR	2'-8"	25
S1	43	5	2	7'-10"	351
S2	14	4	3	7'-7"	71
D1	48	6	STR	1'-6"	108
U1	6	4	4	4'-11"	20
U2	4	4	4	5'-6"	15
U3	2	9	4	9'-10"	67
U4	8	4	4	3'-6"	19
REINFORCING STEEL				LBS.	1937
CLASS 'A' CONCRETE					
POUR #1		CU. YD.	10.7		
POUR #2		CU. YD.	0.1		
TOTAL:		CU. YD.	10.8		
HP 14 X 73 STEEL PILES					
NO. 7		LINEAR FEET	315.0		



SECTION A-A



END VIEW



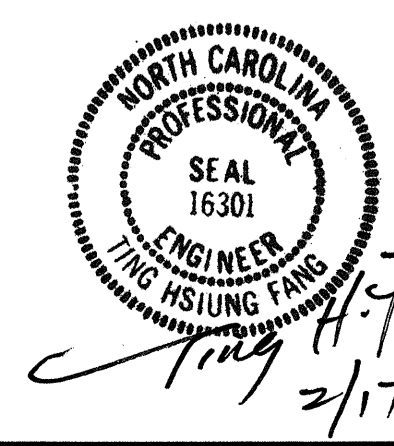
\* POSITION OF PILE DURING WELDING.

PILE SPLICE DETAILS

PROJECT NO. B-4139  
HARNETT COUNTY  
 STATION: 17+68.00 -L-

SHEET 2 OF 2

STATE OF NORTH CAROLINA  
 DEPARTMENT OF TRANSPORTATION  
 RALEIGH  
 SUBSTRUCTURE  
 BENT 3



REVISIONS						SHEET NO.
NO.	BY:	DATE:	NO.	BY:	DATE:	S-16
1			3			TOTAL SHEETS
2			4			22