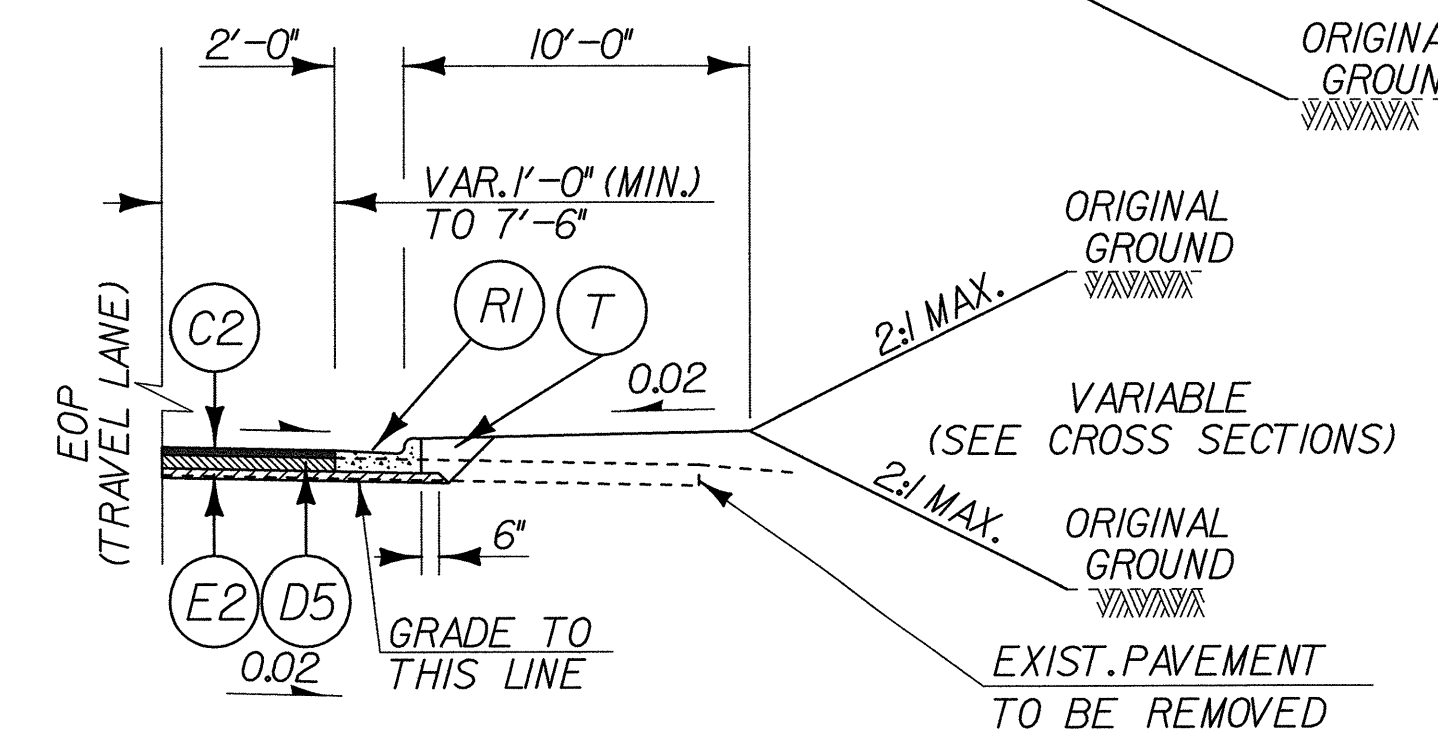
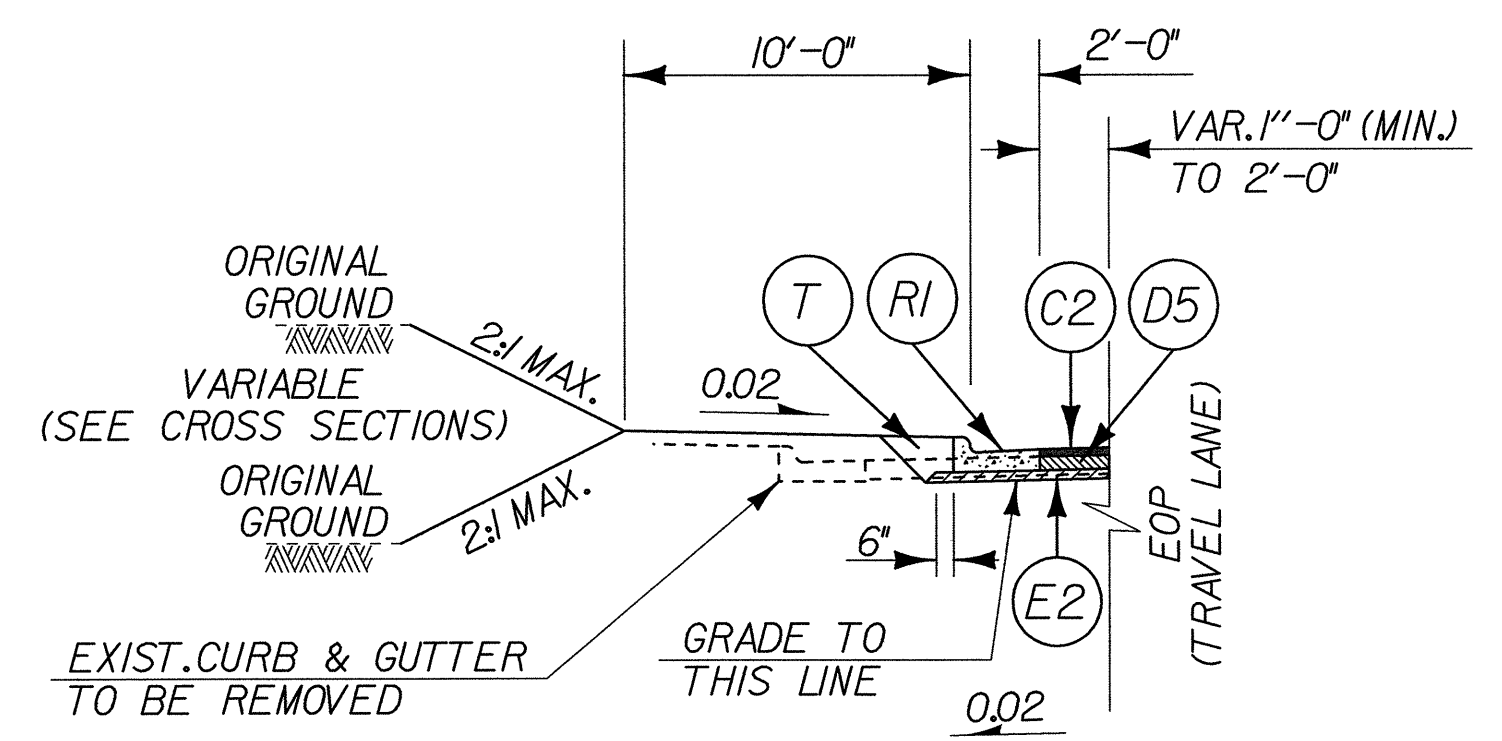


\* WHEN THESE DISTANCES INDICATE SLOPES OUTSIDE THE LIMITS OF 6:1 TO 2:1, THE DISTANCE BECOMES VARIABLE AND THE MAXIMUM OR MINIMUM SLOPE MAINTAINED.

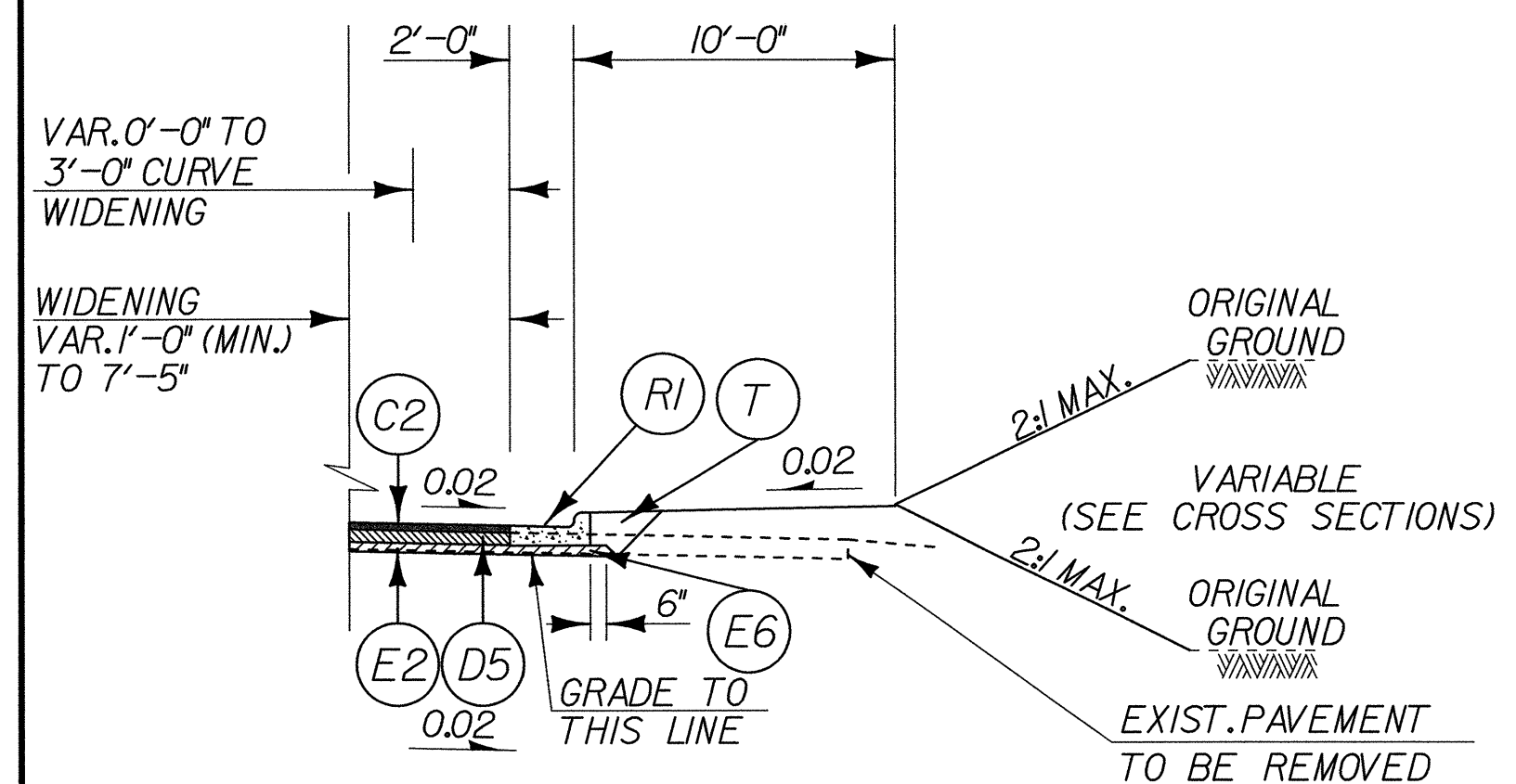
**TYPICAL SECTION NO.6**  
TRANSITION FROM EXISTING TO T.S.No.6 FROM  
-Y1- STA.14+00.00 TO -Y1- STA.14+50.00  
USE TYPICAL SECTION No.6 AS FOLLOWS:  
FROM -Y1- STA.14+50.00 TO -Y1- STA.17+40.75



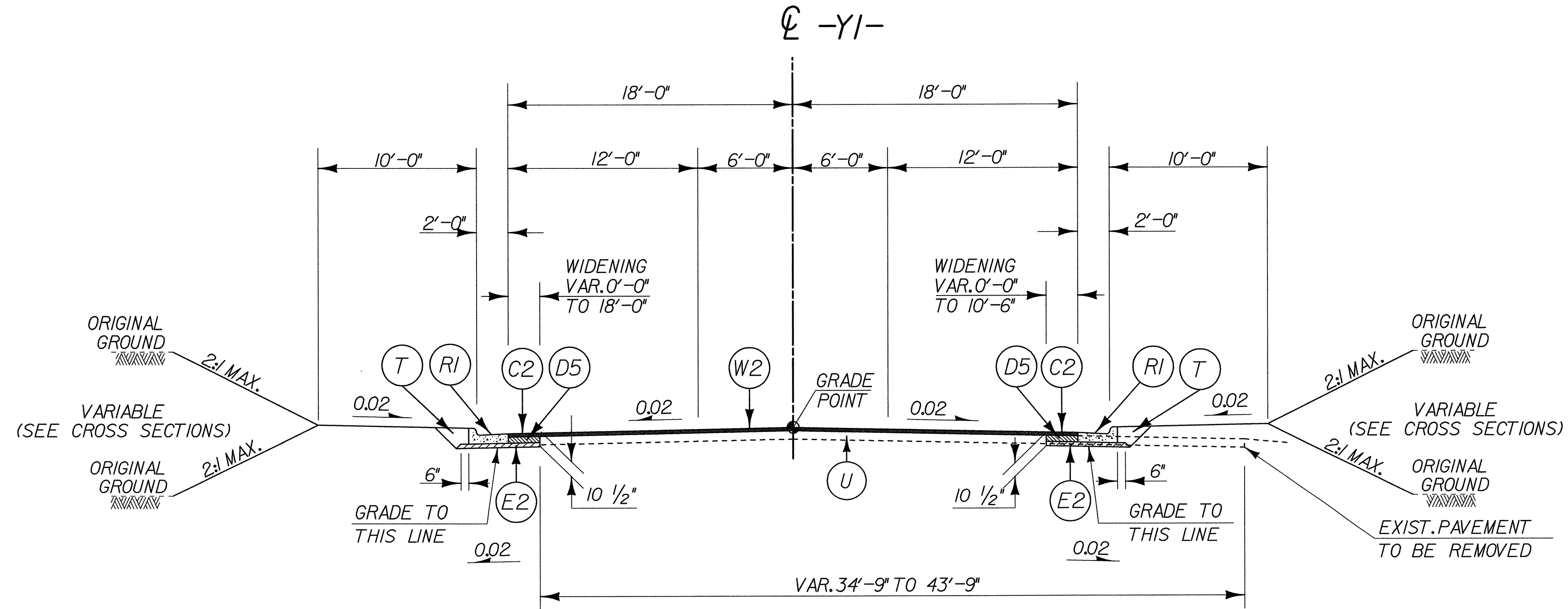
**INSET NO.2**  
TO BE USED IN CONJUNCTION WITH  
TYPICAL SECTION No.6 AS FOLLOWS:  
FROM -Y1- STA.14+36.45 TO -Y1- STA.16+80.34 RT.



**INSET NO.3**  
TO BE USED IN CONJUNCTION WITH  
TYPICAL SECTION No.7 AS FOLLOWS:  
FROM -Y1- STA.21+13 TO -Y1- STA.24+44.21 LT.  
FROM -Y1- STA.23+96 TO -Y1- STA.24+95.94 RT.



**INSET NO.4**  
TO BE USED IN CONJUNCTION WITH  
TYPICAL SECTION No.7 AS FOLLOWS:  
FROM -Y1- STA.18+09.32 TO -Y1- STA.22+24.08 RT.



**TYPICAL SECTION NO.7**  
USE TYPICAL SECTION No.7 AS FOLLOWS:  
FROM -Y1- STA.17+40.75 TO -Y1- STA.24+00.00  
TRANSITION FROM T.S.No.7 TO T.S.No.8 FROM  
-Y1- STA.24+00.00 TO -Y1- STA.25+00.00

C1	1 1/2" S9.5B
C2	2 1/2" S9.5B
C3	VAR.DEPTH S9.5B
C4	1 1/2" S12.5C
C5	3" S12.5C
C6	VAR.DEPTH S12.5C
D1	2 1/2" 119.0B
D2	3" 119.0B
D3	3 1/2" 119.0B
D4	4" 119.0B
D5	4 1/2" 119.0B
D6	VAR.DEPTH 119.0B
D7	4" 119.0C
D8	VAR.DEPTH 119.0C
E1	3" B25.0B
E2	3 1/2" B25.0B
E3	4" B25.0B
E4	5" B25.0B
E5	5 1/2" B25.0B
E6	VAR.DEPTH B25.0B
E7	9" B25.0C
E8	VAR.DEPTH B25.0C
J1	6" ABC
J2	10" ABC
J3	VAR.DEPTH ABC
RI	2'-6" CONC. CURB & GUTTER
R2	5" MONO. CONC. ISLAND
R3	CONC. EXPRESS. GUTTER
R4	MOD. CONCRETE EXPRESS. GUTTER
R5	SINGLE FACED CONC. BARRIER
R6	DOUBLE FACED CONC. BARRIER
T	EARTH MATERIAL
U	EXIST. PAVEMENT
W1	WEDGING
W2	WEDGING
W3	WEDGING
W4	WEDGING
W5	WEDGING
W6	WEDGING
W7	WEDGING

NOTE:  
1. SEE SHEET 2 FOR DETAILED DESCRIPTION OF PAVEMENT SCHEDULE.  
2. ALL PAVEMENT EDGES ARE 1:1 UNLESS OTHERWISE NOTED.

REVISIONS

07/17/2004 09:03:40 AM  
P:\Roadway\Projects\13517\RD1\_TIF.DGN