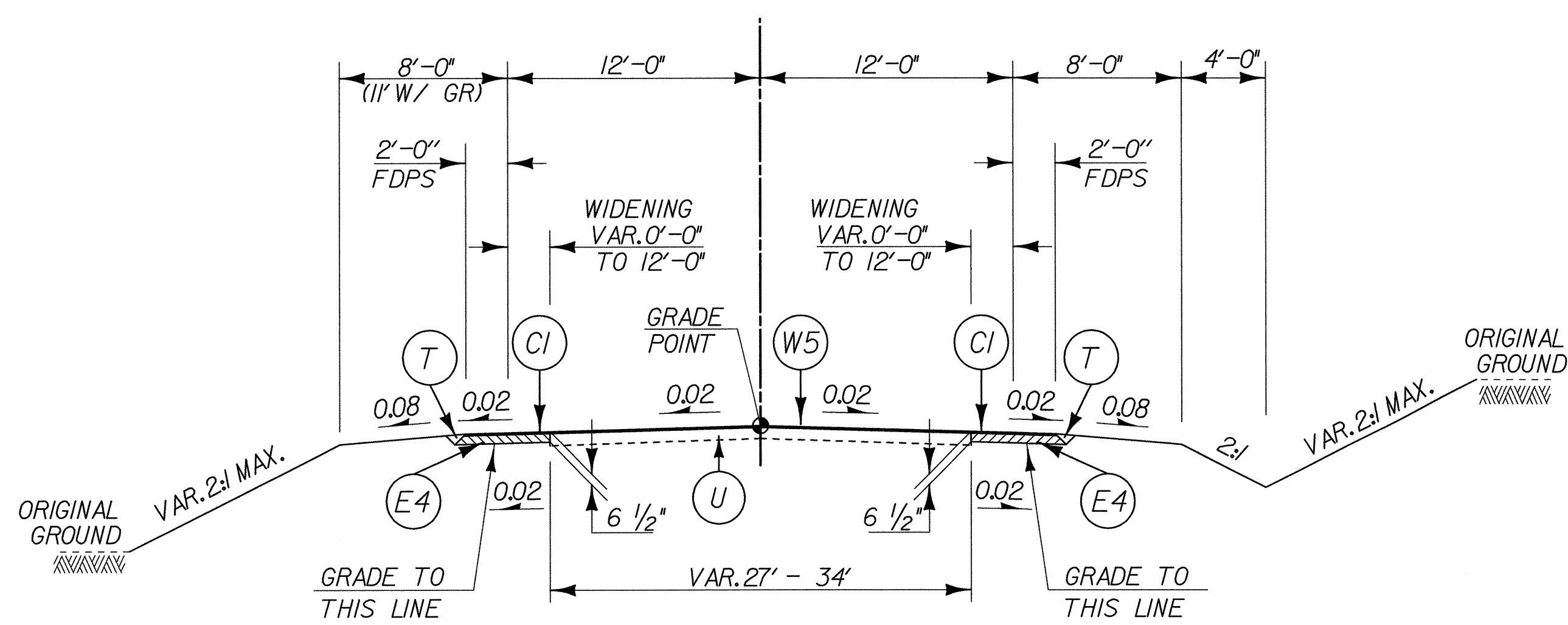


CL -Y1- DETOUR, -Y3- DETOUR

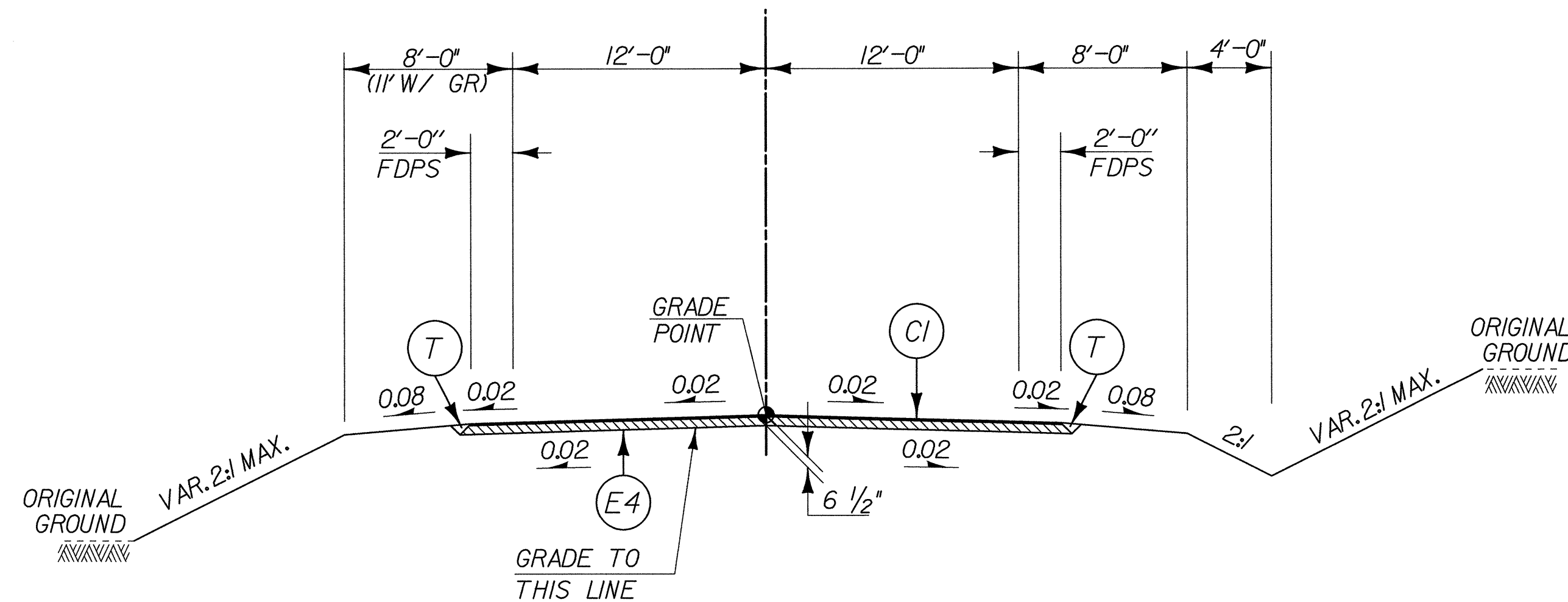


TYPICAL SECTION NO.15

USE TYPICAL SECTION No.15 AS FOLLOWS:

TRANSITION FROM EXISTING TO T.S.No.15 FROM
-Y1-DETOUR STA.14+75.00 TO -Y1-DETOUR STA.15+25.00
FROM -Y1-DETOUR STA.15+25.00 TO -Y1-DETOUR STA.16+54
FROM -Y1-DETOUR STA.18+73 TO -Y1-DETOUR STA.19+50.00
TRANSITION FROM T.S.No.15 TO EXISTING FROM
-Y1-DETOUR STA.19+50.00 TO -Y1-DETOUR STA.20+00.00
TRANSITION FROM EXISTING TO T.S No.15 FROM
-Y3- DETOUR STA.11+00.00 TO -Y3- DETOUR STA.11+20.00
FROM -Y3- DETOUR STA.11+20.00 TO -Y3- DETOUR STA.11+93.94

CL -Y1- DETOUR

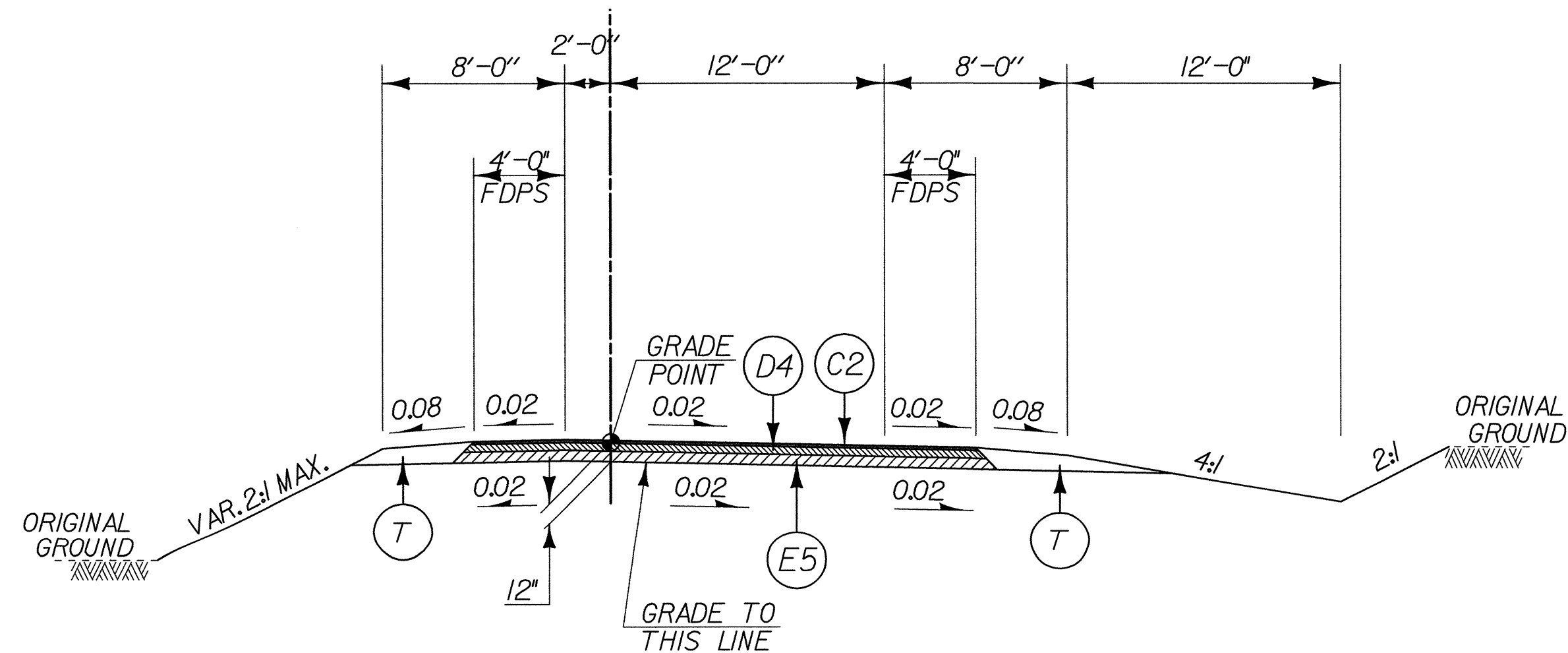


TYPICAL SECTION NO.16

USE TYPICAL SECTION No.16 AS FOLLOWS:

FROM -Y1-DETOUR STA.16+54 TO -Y1-DETOUR STA.18+73

CL RAMP C DETOUR



TYPICAL SECTION NO.17

USE TYPICAL SECTION No.17 AS FOLLOWS:

FROM RAMP C DETOUR STA.11+00.29 TO RAMP C DETOUR STA.13+45.39

C1	1 1/2" S9.5B
C2	2 1/2" S9.5B
C3	VAR.DEPTH S9.5B
C4	1 1/2" S12.5C
C5	3" S12.5C
C6	VAR.DEPTH S12.5C
D1	2 1/2" 119.0B
D2	3" 119.0B
D3	3 1/2" 119.0B
D4	4" 119.0B
D5	4 1/2" 119.0B
D6	VAR.DEPTH 119.0B
D7	4" 119.0C
D8	VAR.DEPTH 119.0C
E1	3" B25.0B
E2	3 1/2" B25.0B
E3	4" B25.0B
E4	5" B25.0B
E5	5 1/2" B25.0B
E6	VAR.DEPTH B25.0B
E7	9" B25.0C
E8	VAR.DEPTH B25.0C
J1	6" ABC
J2	10" ABC
J3	VAR.DEPTH ABC
R1	2'-6" CONC. CURB & GUTTER
R2	5" MONO. CONC.ISLAND
R3	CONC. EXPRESS.GUTTER
R4	MOD.CONCRETE EXPRESS.GUTTER
R5	SINGLE FACED CONC.BARRIER
R6	DOUBLE FACED CONC.BARRIER
T	EARTH MATERIAL
U	EXIST.PAVEMENT
W1	WEDGING
W2	WEDGING
W3	WEDGING
W4	WEDGING
W5	WEDGING
W6	WEDGING
W7	WEDGING

NOTE:
1. SEE SHEET 2 FOR DETAILED DESCRIPTION OF PAVEMENT SCHEDULE.
2. ALL PAVEMENT EDGES ARE 1:1 UNLESS OTHERWISE NOTED.

REVISIONS