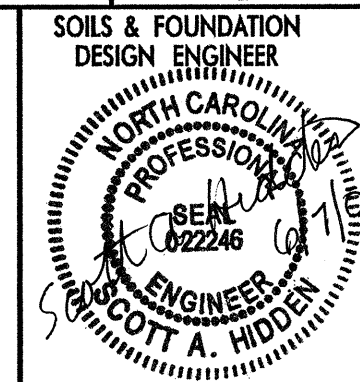
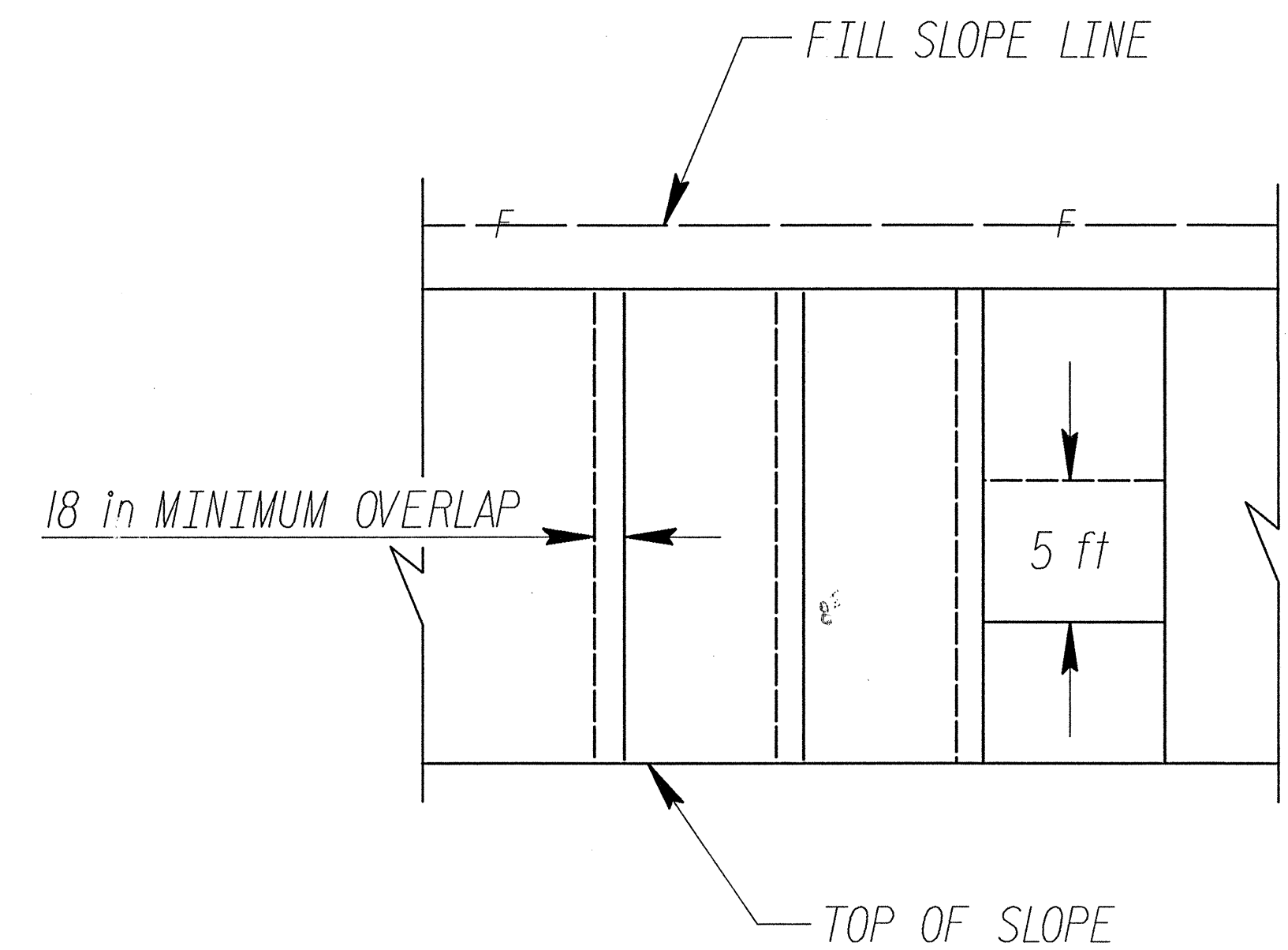
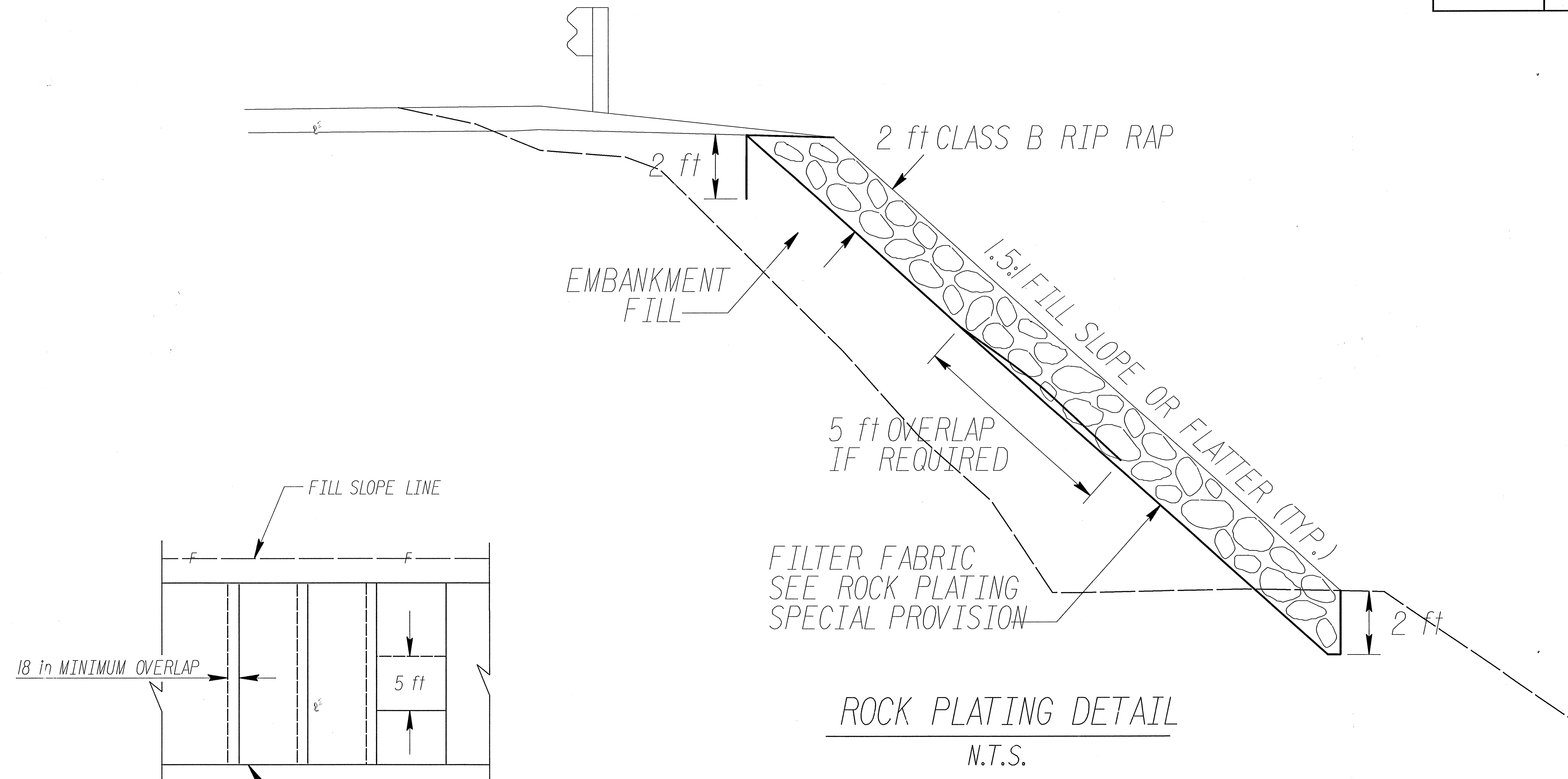


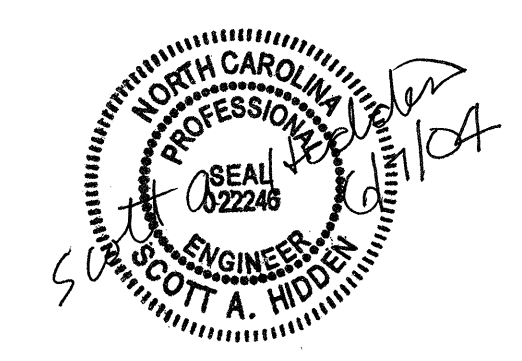
PROJECT REFERENCE NO.	SHEET NO.
B-3157	2-5
SOILS & FOUNDATION DESIGN ENGINEER	
	



FABRIC OVERLAP DETAIL
N.T.S.

ROCK PLATING DETAIL
N.T.S.

PROJECT B-3157
DAVIDSON COUNTY
 STATIONS 13+50 TO 16+50 -Y6-, RT



DRAWN BY SAH DATE 11/2002
 CHECKED BY CAK DATE 11/2002

STATE OF NORTH CAROLINA
 DEPARTMENT OF TRANSPORTATION
 RALEIGH
TYPICAL ROCK PLATING CROSS SECTION

DATE 11/04/02