

STATE OF NORTH CAROLINA  
DEPT. OF TRANSPORTATION  
DIVISION OF HIGHWAYS  
RALEIGH, N.C.

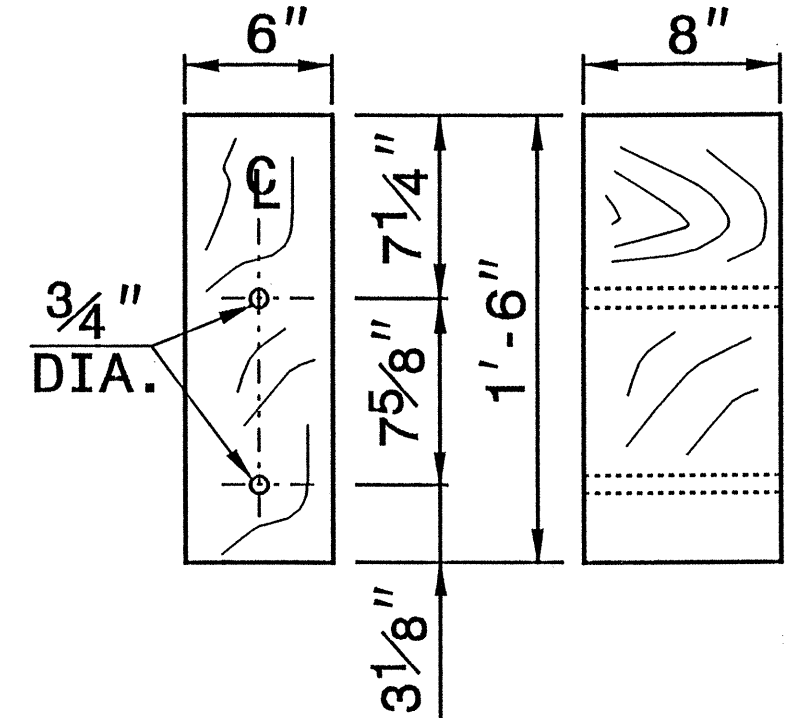
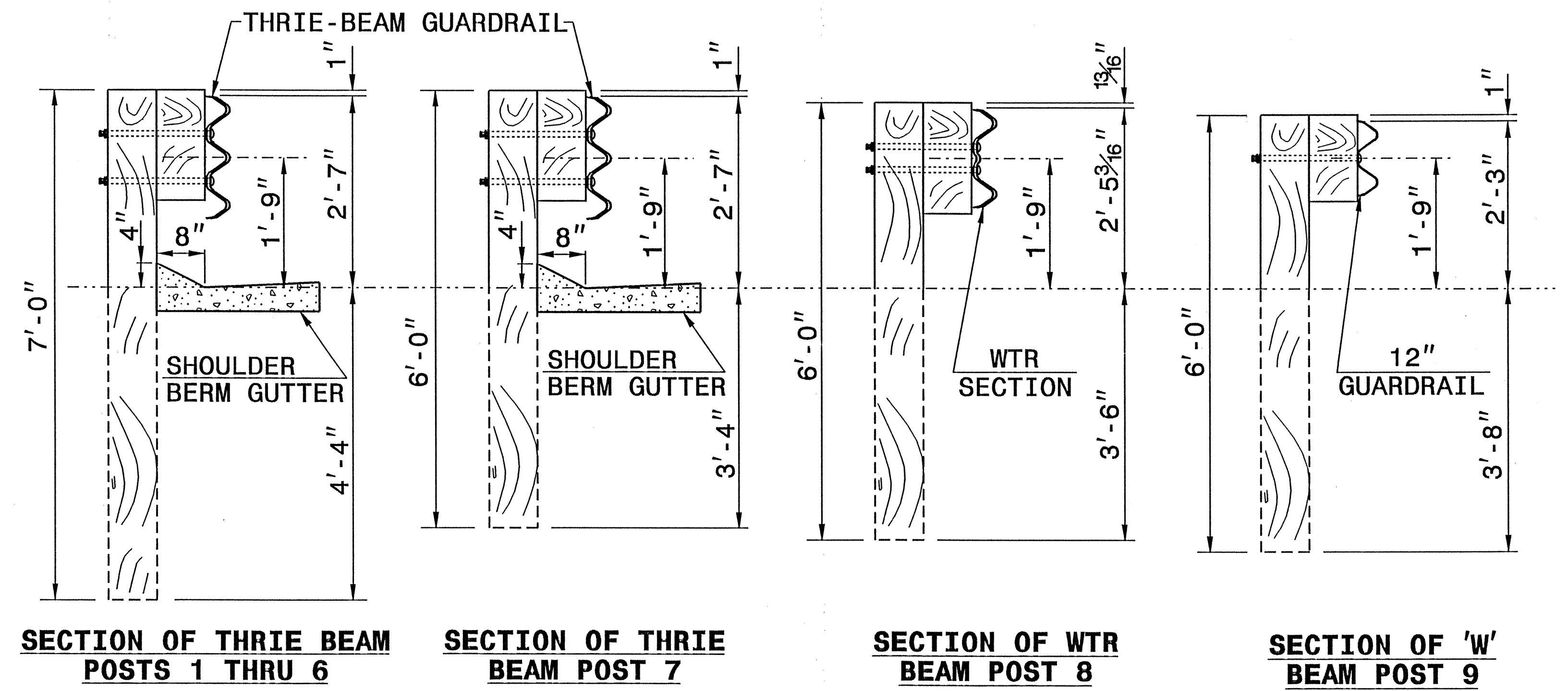
ENGLISH DETAIL DRAWING FOR  
**STRUCTURE ANCHOR UNIT**

SHEET 1 OF 1  
**862D03**

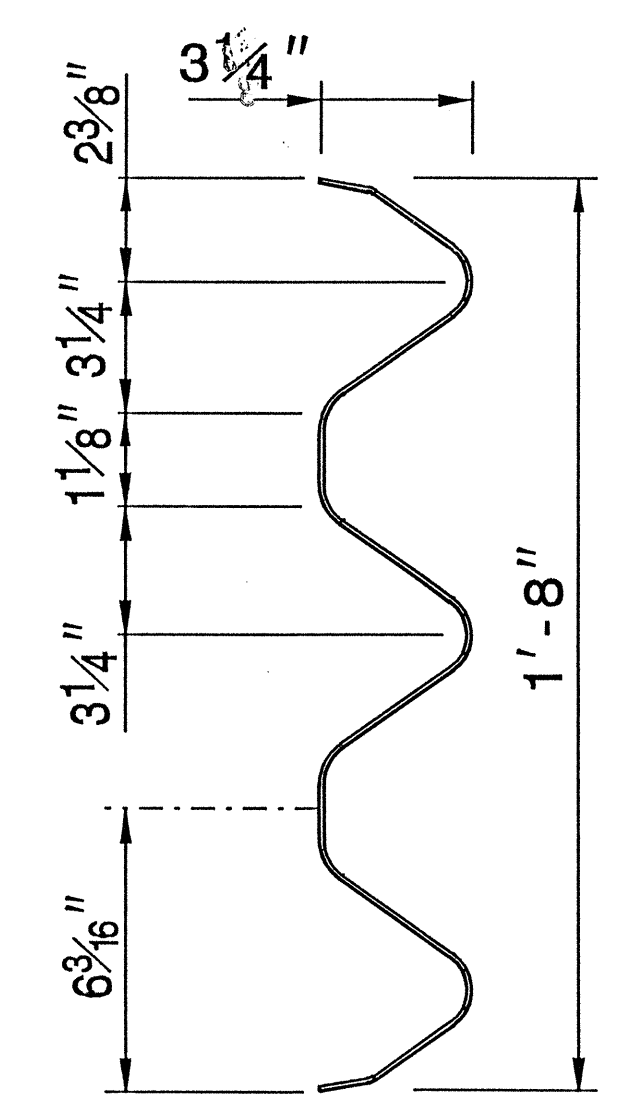
STATE OF NORTH CAROLINA  
DEPT. OF TRANSPORTATION  
DIVISION OF HIGHWAYS  
RALEIGH, N.C.

ENGLISH DETAIL DRAWING FOR  
**STRUCTURE ANCHOR UNIT**

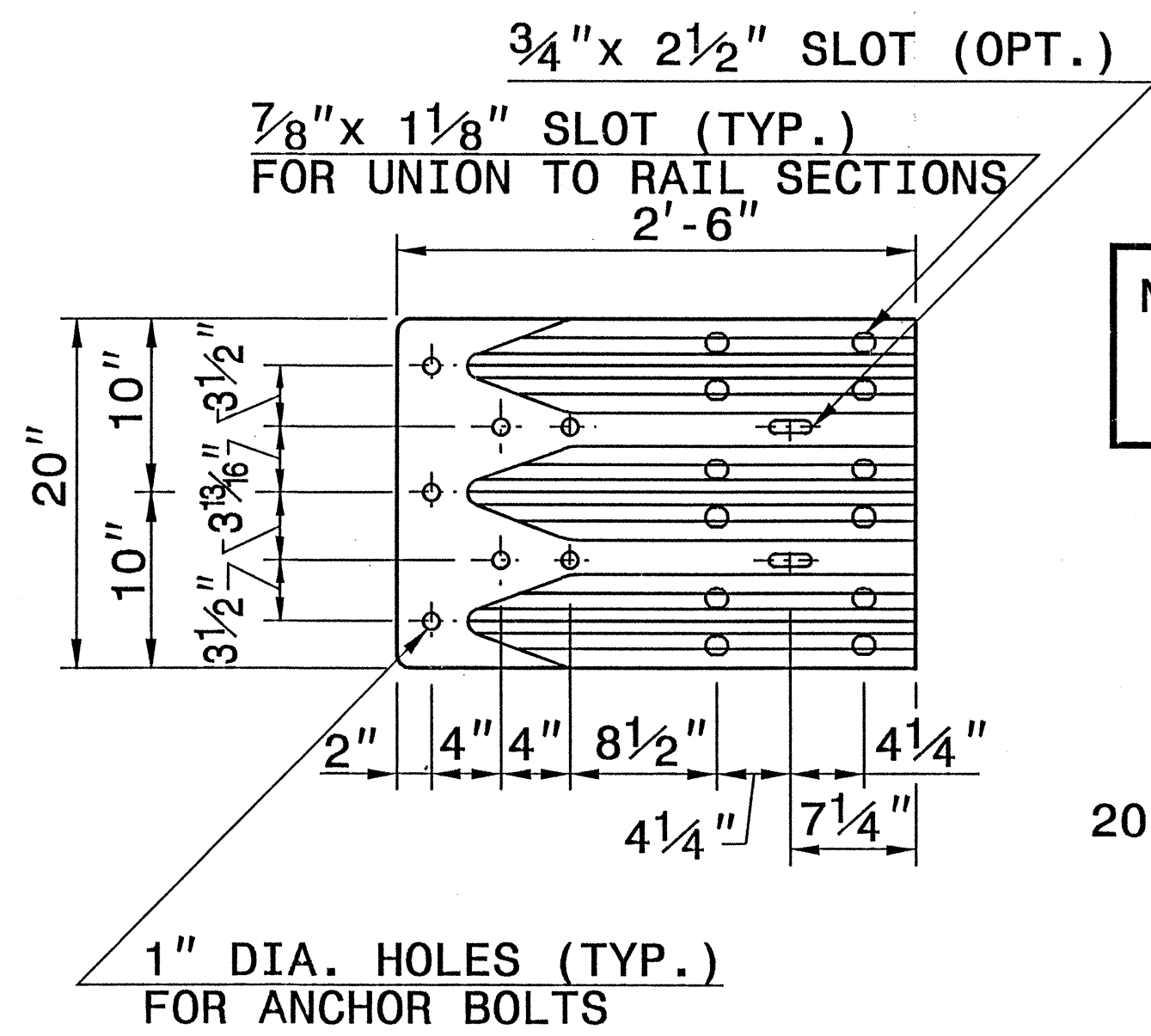
SHEET 1 OF 1  
**862D03**



**THRIE BEAM  
OFFSET BLOCK**

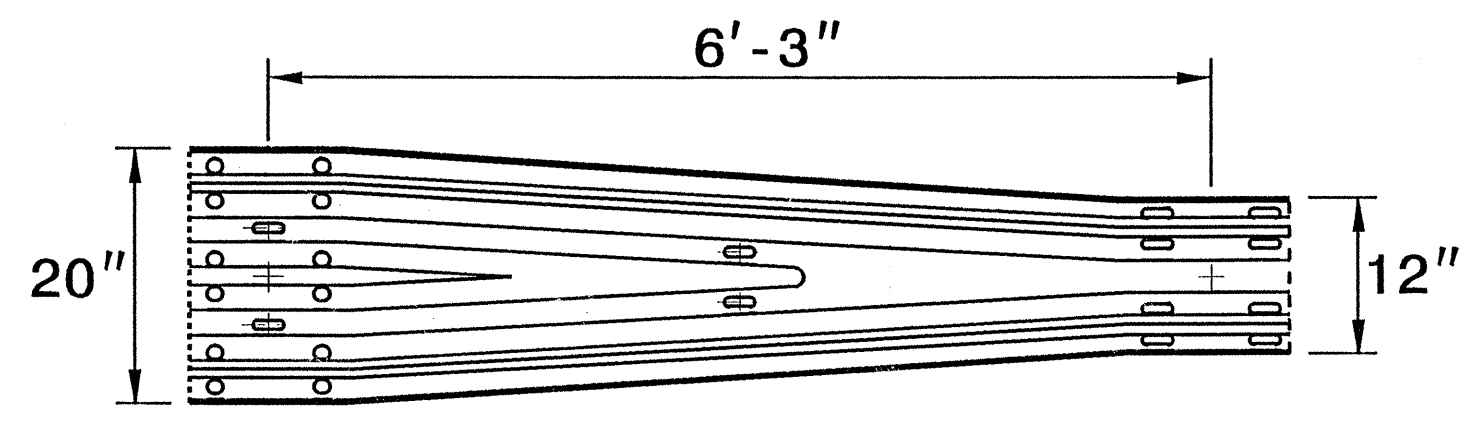


**THRIE-BEAM  
SECTION**

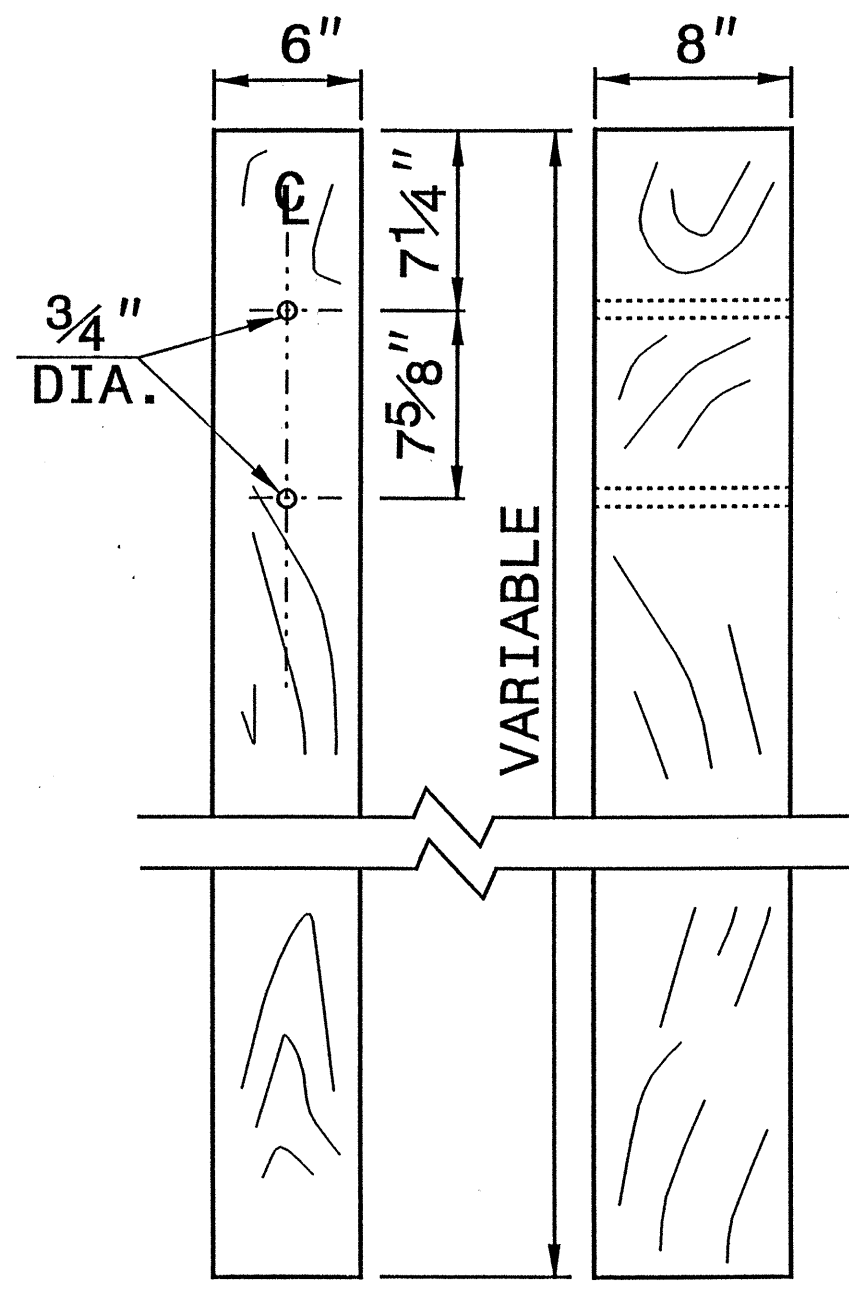


**END SHOE**

NOTE: THE THRIE BEAM RAIL WTR SECTION  
WILL REQUIRE SPECIAL OFFSET BLOCK  
AND LINE POST.

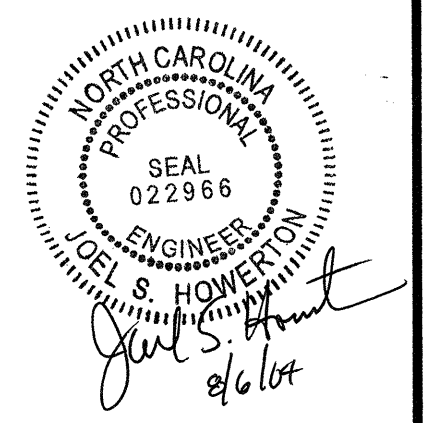


**WTR SECTION  
ELEVATION VIEW**



**THRIE BEAM  
LINE POST**

I:\JUL-2002\11:03 W:\Special Details\ward\stand\bp.dgn  
ericward AT DS188660



**DESIGN SERVICES UNIT  
STANDARDS AND SPECIAL DESIGN**  
Office 919-250-4128 FAX 919-250-4119

**DETAIL OF GUARDRAIL ANCHOR  
UNIT TYPE III MODIFIED**  
SHEET 2 OF 2

ORIGINAL BY: E.E. WARD DATE: 7-11-02  
MODIFIED BY: DATE:  
CHECKED BY: DATE: 7-02  
FILE SPEC.: us\details\stand\bp.dgn