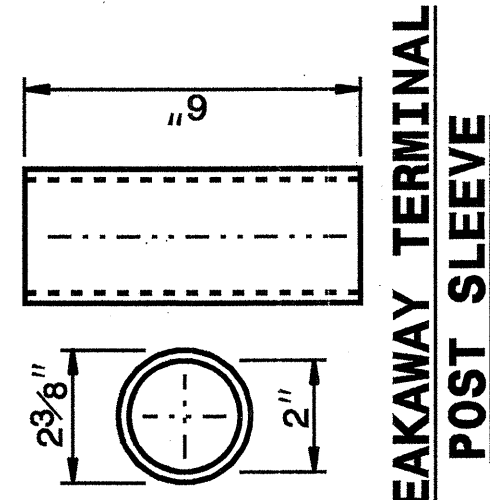


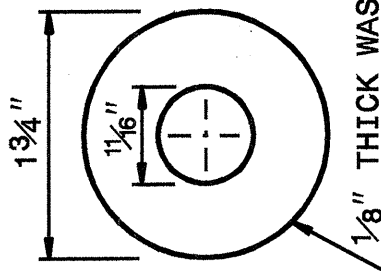
STATE OF NORTH CAROLINA
DEPT. OF TRANSPORTATION
DIVISION OF HIGHWAYS
RALEIGH, N.C.

ENGLISH DETAIL DRAWING FOR
GUARDRAIL INSTALLATION

SHEET 5 OF 7
862D02

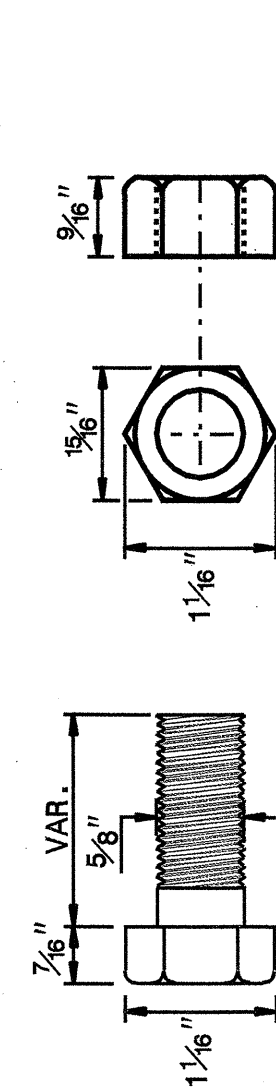


BREAKAWAY TERMINAL
POST SLEEVE

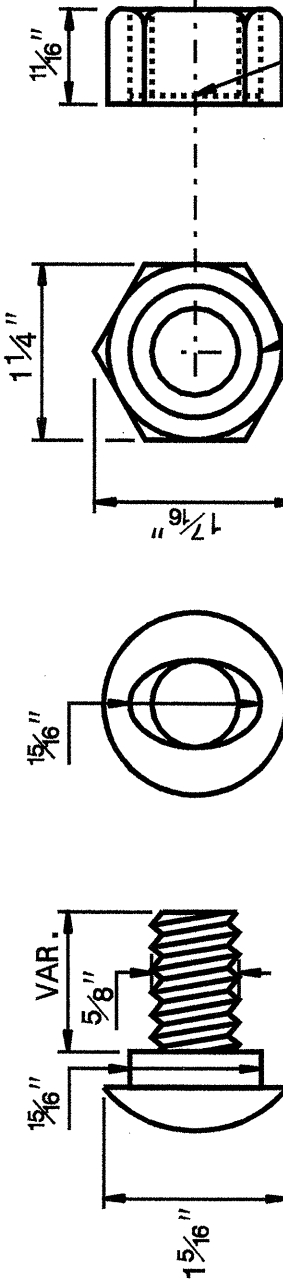


DETAIL OF STANDARD WASHER

STANDARD WASHER: TYPICAL USE UNDER NUT WITH WOOD POST

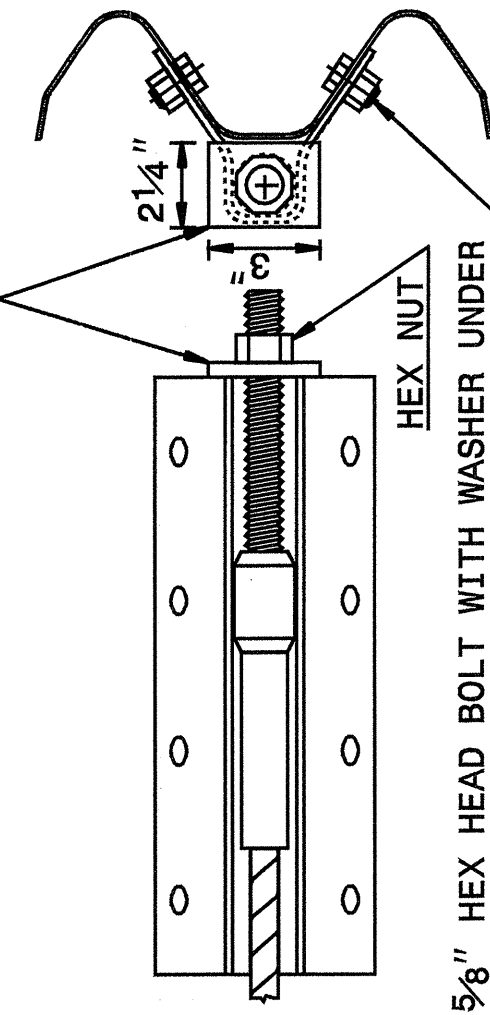


DETAIL OF STANDARD HEX BOLT AND NUT

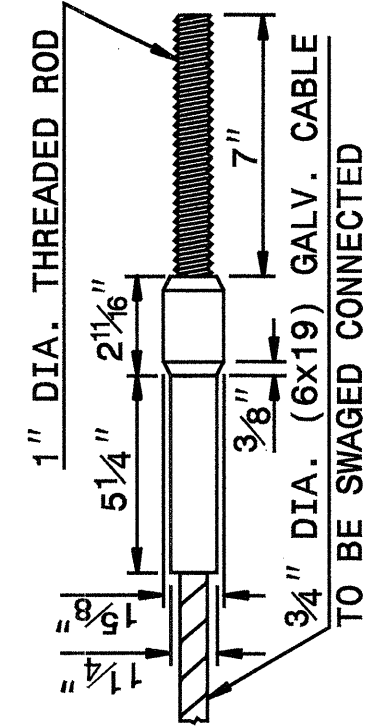


DETAIL OF BUTTON HEAD BOLT AND NUT

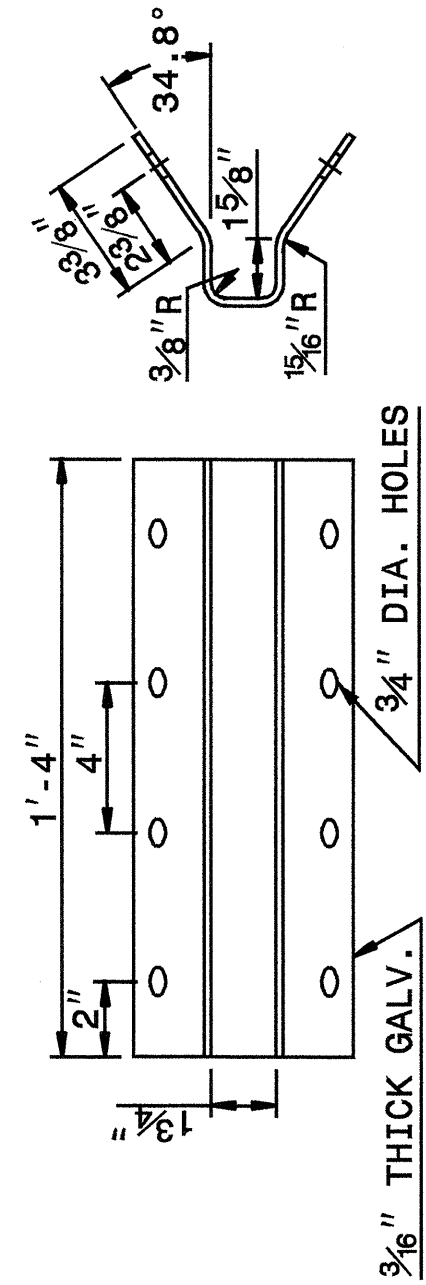
3/8" THICK END PLATE
WITH 1/16" DIA. HOLE
CENTERED IN PLATE.
END PLATE TO BE WELDED
TO ANCHOR PLATE.



ANCHOR PLATE ASSEMBLY



SWAGED CABLE



ANCHOR PLATE

CABLE ASSEMBLY

SYSTEM PARTS

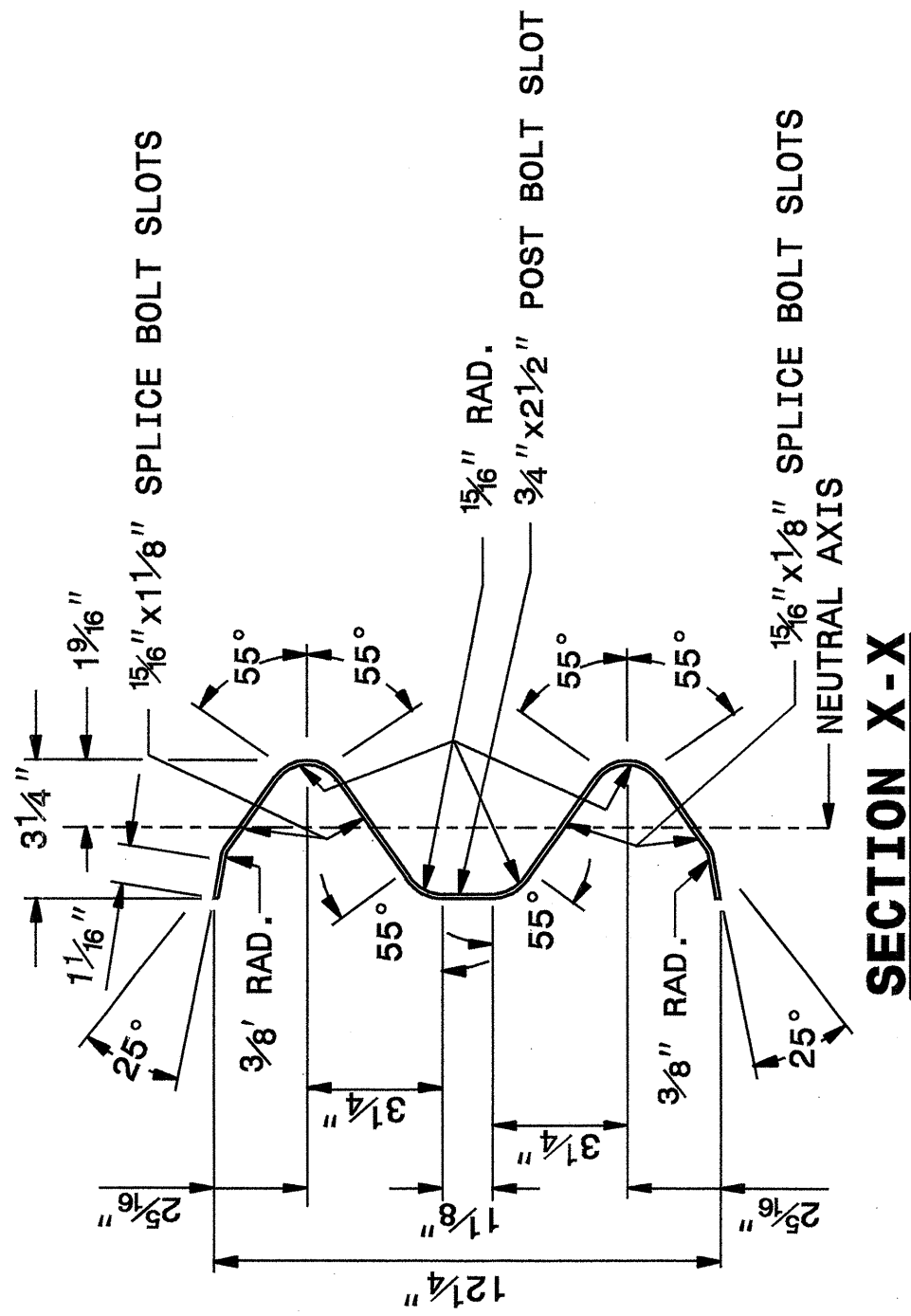
SHEET 5 OF 7
862D02

ENGLISH DETAIL DRAWING FOR
GUARDRAIL INSTALLATION
STATE OF NORTH CAROLINA
DEPT. OF TRANSPORTATION
RALEIGH, N.C.

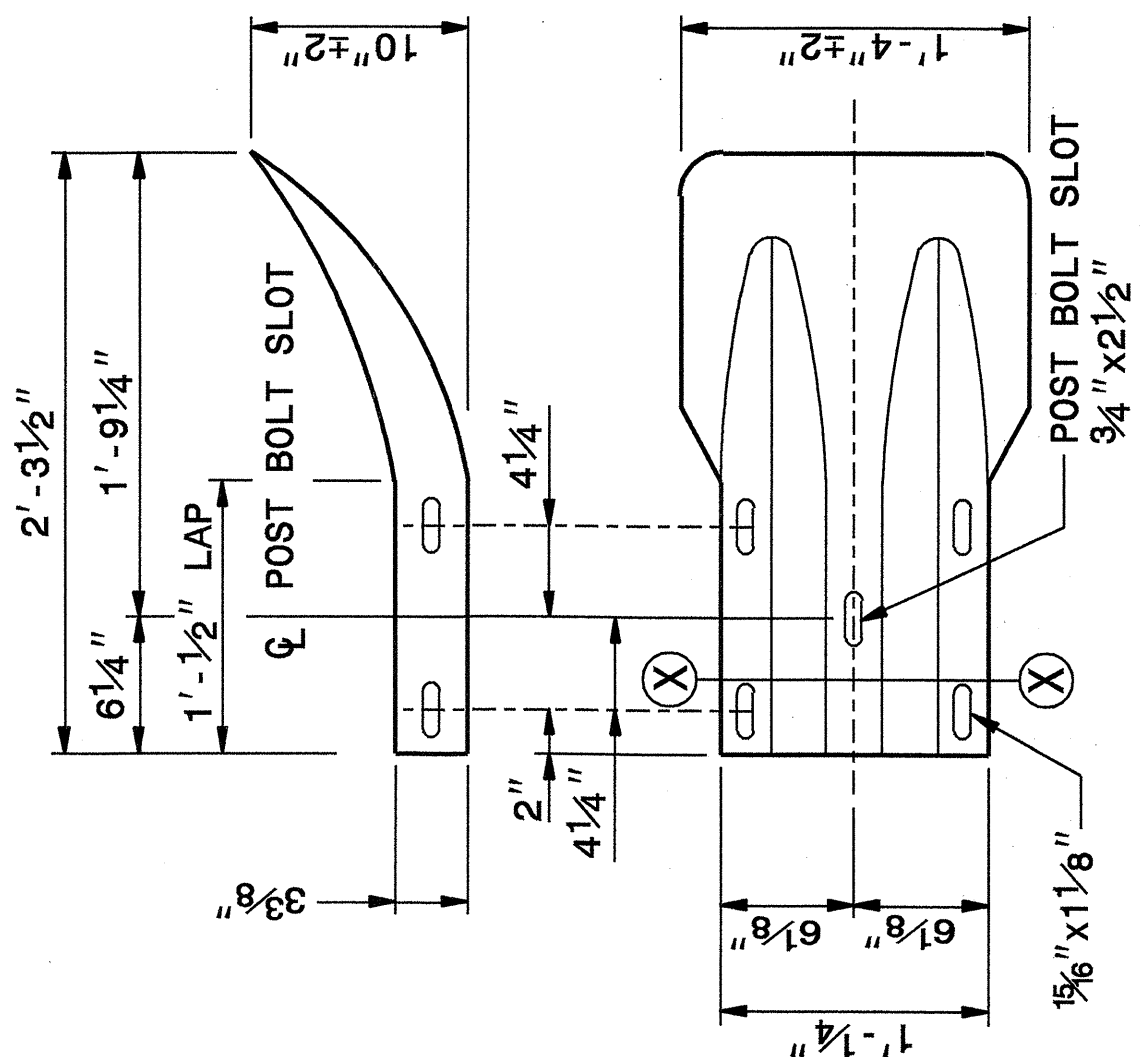
STATE OF NORTH CAROLINA
DEPT. OF TRANSPORTATION
DIVISION OF HIGHWAYS
RALEIGH, N.C.

ENGLISH DETAIL DRAWING FOR
GUARDRAIL INSTALLATION

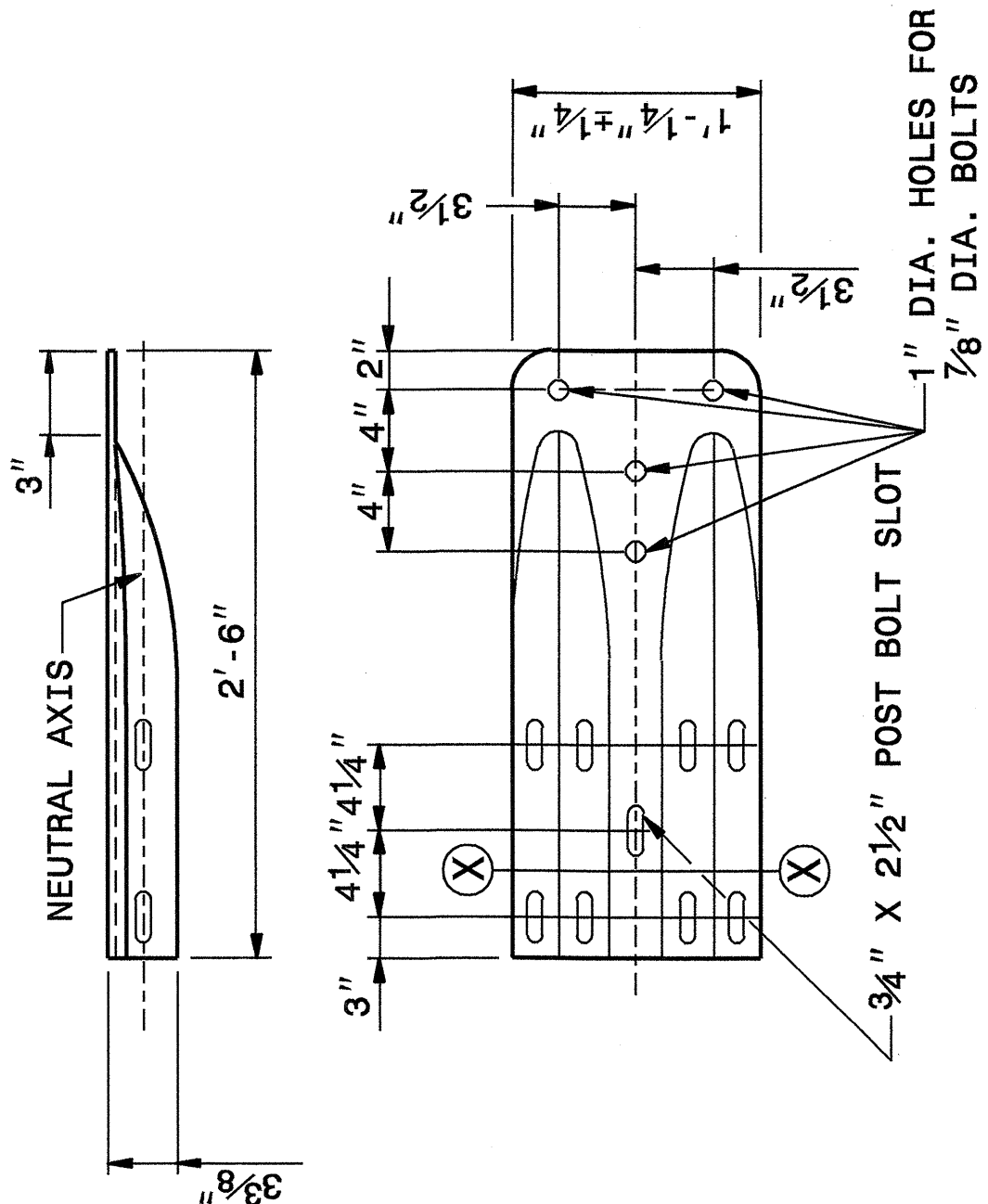
SHEET 6 OF 7
862D02



SECTION X-X



TERMINAL END SECTION



TYPICAL END SHOE

ENGLISH DETAIL DRAWING FOR
GUARDRAIL INSTALLATION
STATE OF NORTH CAROLINA
DEPT. OF TRANSPORTATION
RALEIGH, N.C.

SHEET 6 OF 7
862D02

DESIGN SERVICES UNIT
STANDARDS AND SPECIAL DESIGN
Office 919-250-4128 FAX 919-250-4119

SEE PLATE FOR TITLE

ORIGINAL BY: 2002 STD. 862.02 DATE: 02-09-03
MODIFIED BY: E. E. WARD DATE: 5-03
CHECKED BY: [Signature] DATE: 5-03
FILE SPEC.: /usr/stg/02todetd/english/86202/862d02.dgn

