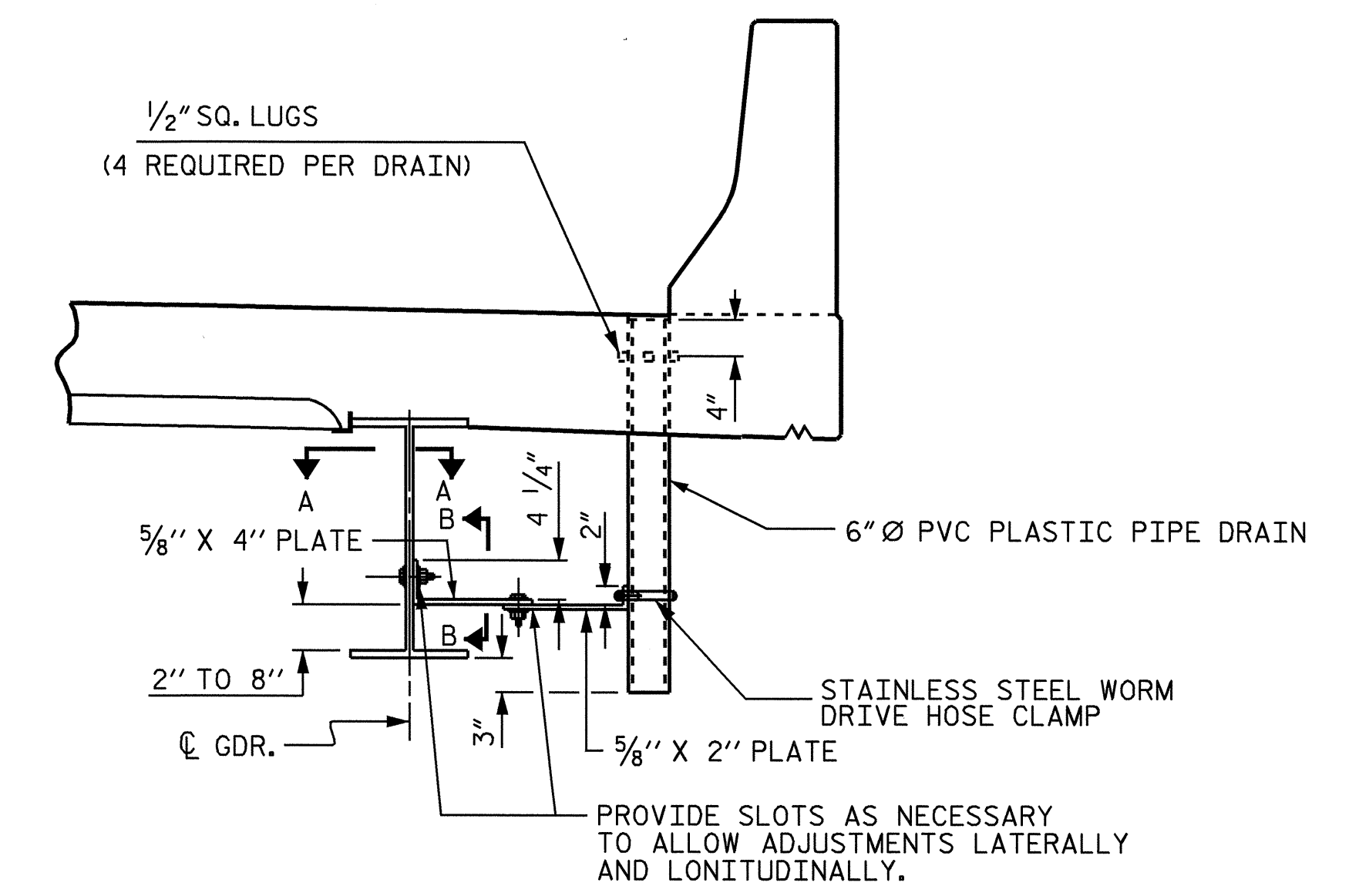
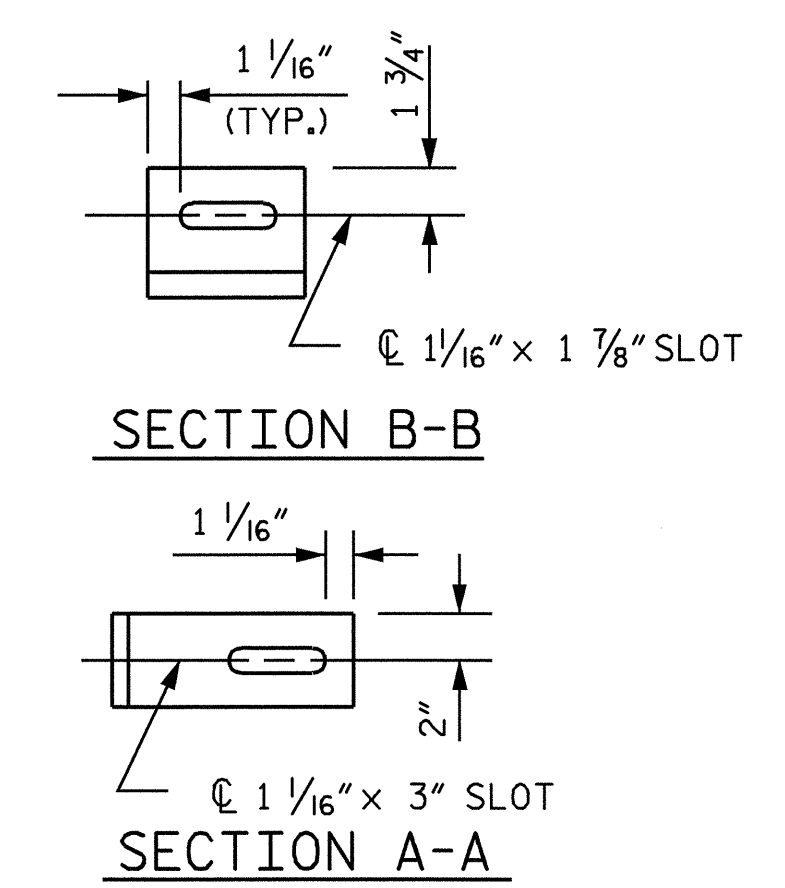


PLAN OF GIRDER @ END BENT



DRAIN CONNECTOR DETAIL

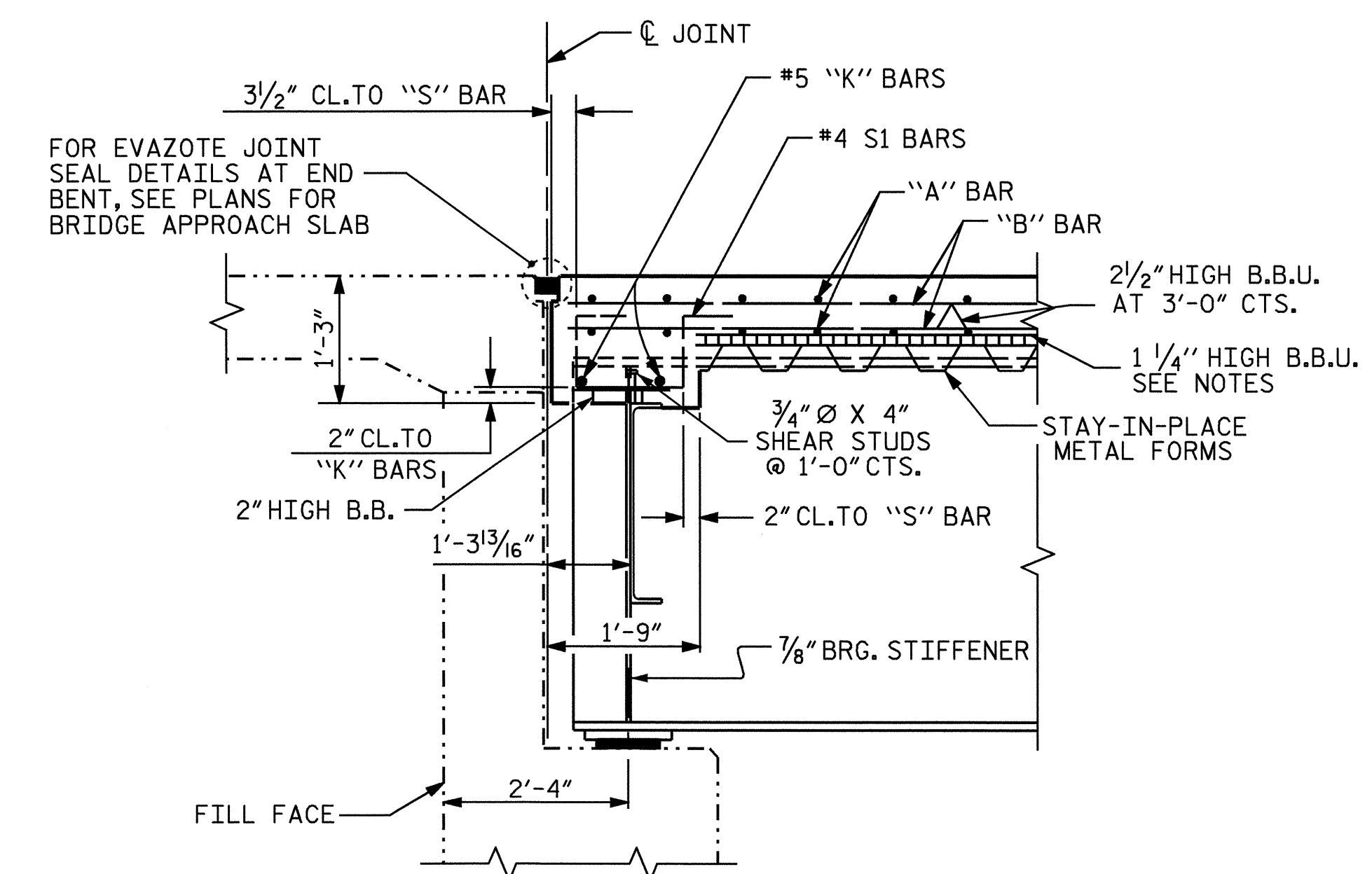
(5 DRAINS REQUIRED)

COUPLING IN DRAIN PIPE WILL BE PERMITTED AS APPROVED BY THE ENGINEER.

TOP OF FLOOR DRAIN TO BE SET 3/8" BELOW SURFACE OF SLAB.

4 - 1/2" SQUARE LUGS TO BE GLUED TO THE PVC PLASTIC PIPE AT EQUAL SOACES AROUND THE PIPE DRAIN APPROXIMATELY 4" FROM THE TOP OF THE PIPE.

BOLT SIZE TO BE SAME AS DIAPHRAGM AND CROSSFRAME CONNECTIONS. STAINLESS STEEL WORM DRIVE HOSE CLAMP SHALL BE COMMERCIAL QUALITY.



SECTION THRU END BENT DIAPHRAGM

PROJECT NO. B-3157
DAVIDSON COUNTY
 STATION: 29+25.37 -L-
 SHEET 2 OF 2

STATE OF NORTH CAROLINA
 DEPARTMENT OF TRANSPORTATION
 RALEIGH

SUPERSTRUCTURE
 TYPICAL SECTION
 DETAILS

LEFT LANE

NORTH CAROLINA PROFESSIONAL ENGINEER
 SEAL 025516
 EMILY E. MURRAY
 6/29/04

| REVISIONS | | | | SHEET NO. | |
|-----------|-----|-------|-----|-----------|--------------|
| NO. | BY: | DATE: | NO. | BY: | DATE: |
| 1 | | | 3 | | |
| 2 | | | 4 | | |
| | | | | | TOTAL SHEETS |
| | | | | | 56 |

DRAWN BY : PEGGY ADKINS DATE : 2-03
 CHECKED BY : M. M. PARSONS DATE : 5-03