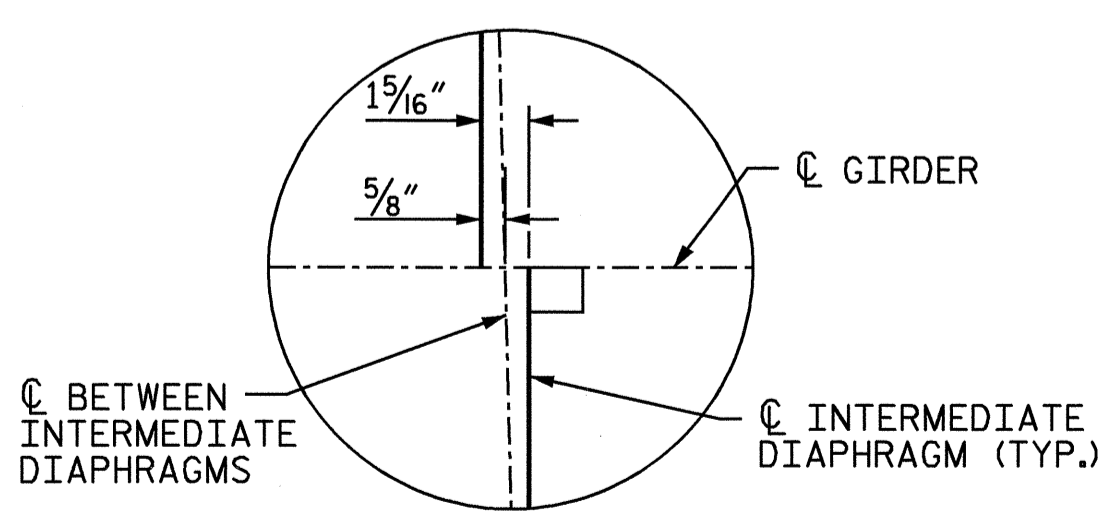


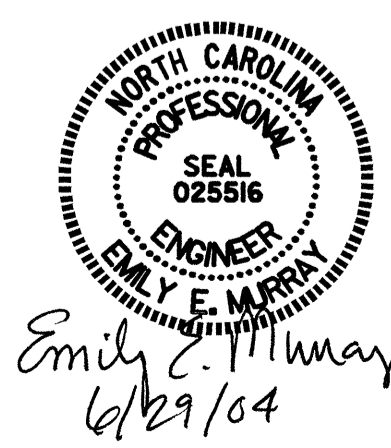
FRAMING PLAN

* RADIAL DIMENSION
 ** RADIAL DIMENSION THRU WORKPOINT



DETAIL "E"
 (TYPICAL EACH DIAPHRAGM AT EACH GIRDER)

PROJECT NO. B-3157
DAVIDSON COUNTY
 STATION: 29+25.37 -L-



STATE OF NORTH CAROLINA DEPARTMENT OF TRANSPORTATION RALEIGH					
SUPERSTRUCTURE FRAMING PLAN LEFT LANE					
REVISIONS					
NO.	BY:	DATE:	NO.	BY:	DATE:
1			3		
2			4		
					SHEET NO. S-9
					TOTAL SHEETS 56

DRAWN BY : PEGGY ADKINS DATE : 2-03
 CHECKED BY : M. M. PARSONS DATE : 5-03