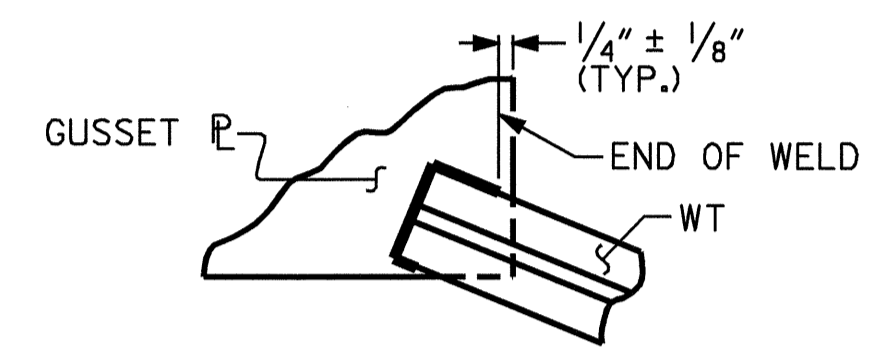
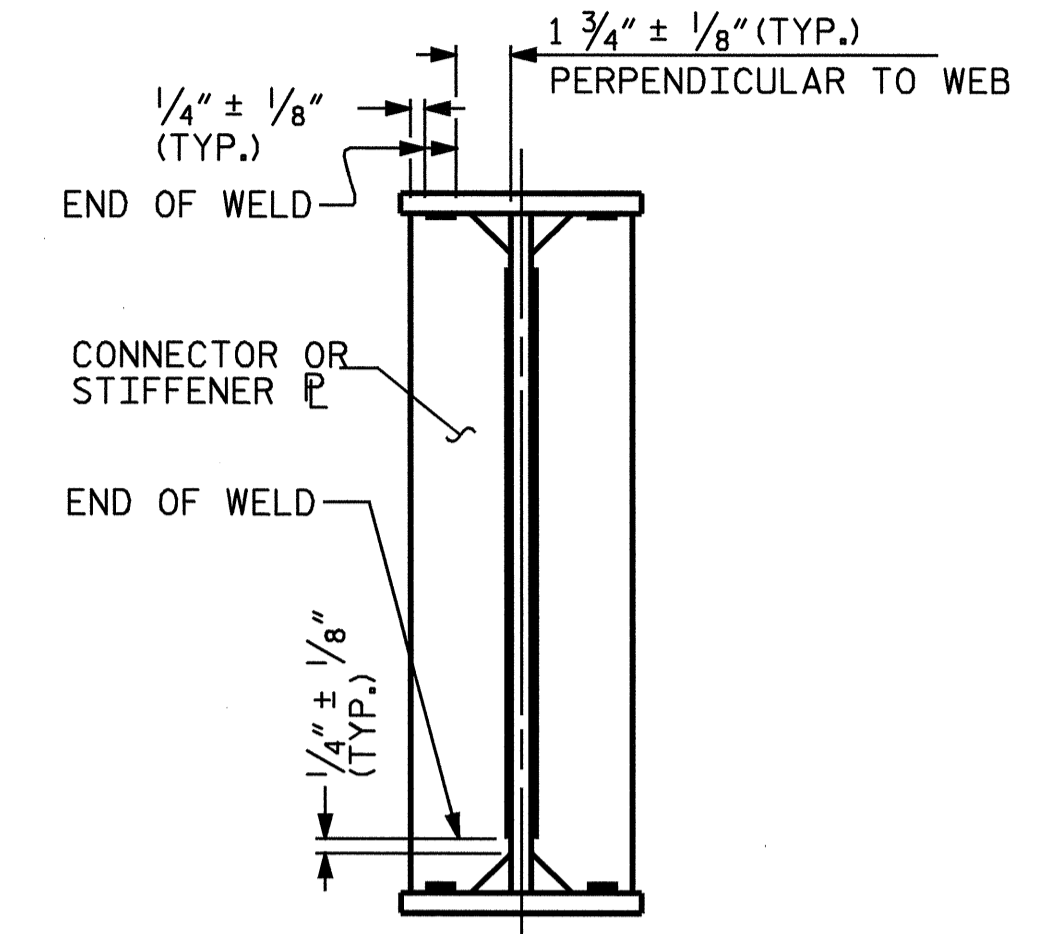


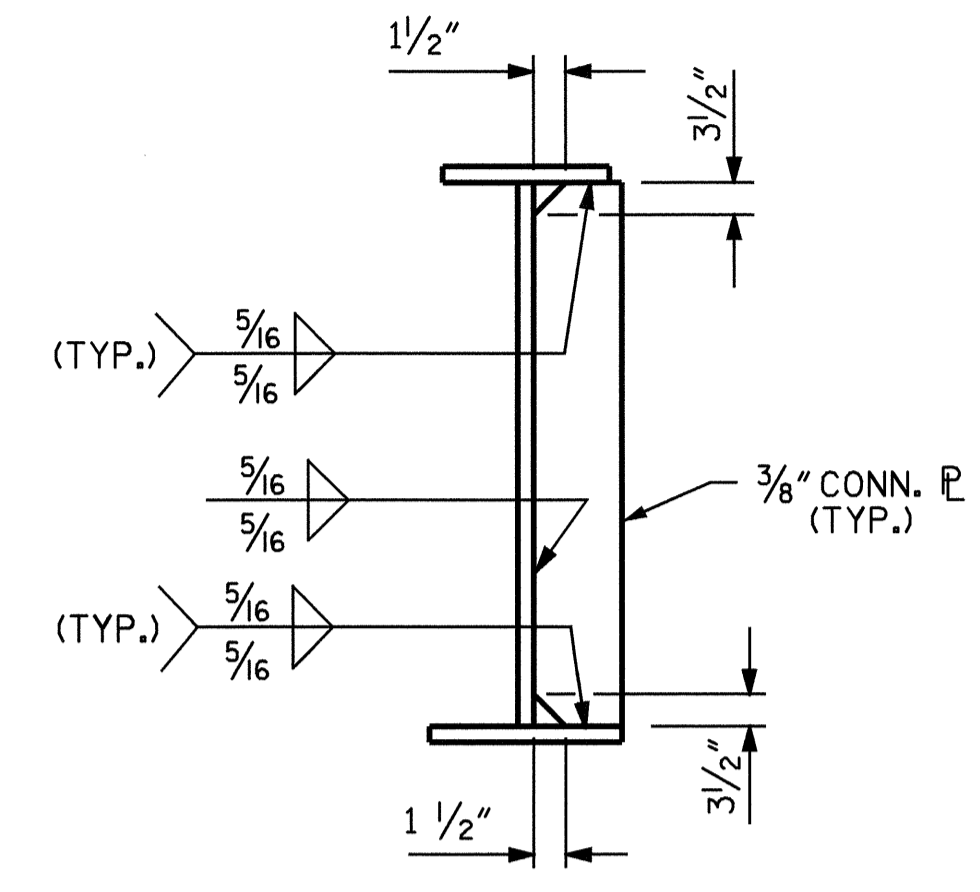
TYPICAL GUSSET PLATE CONNECTION



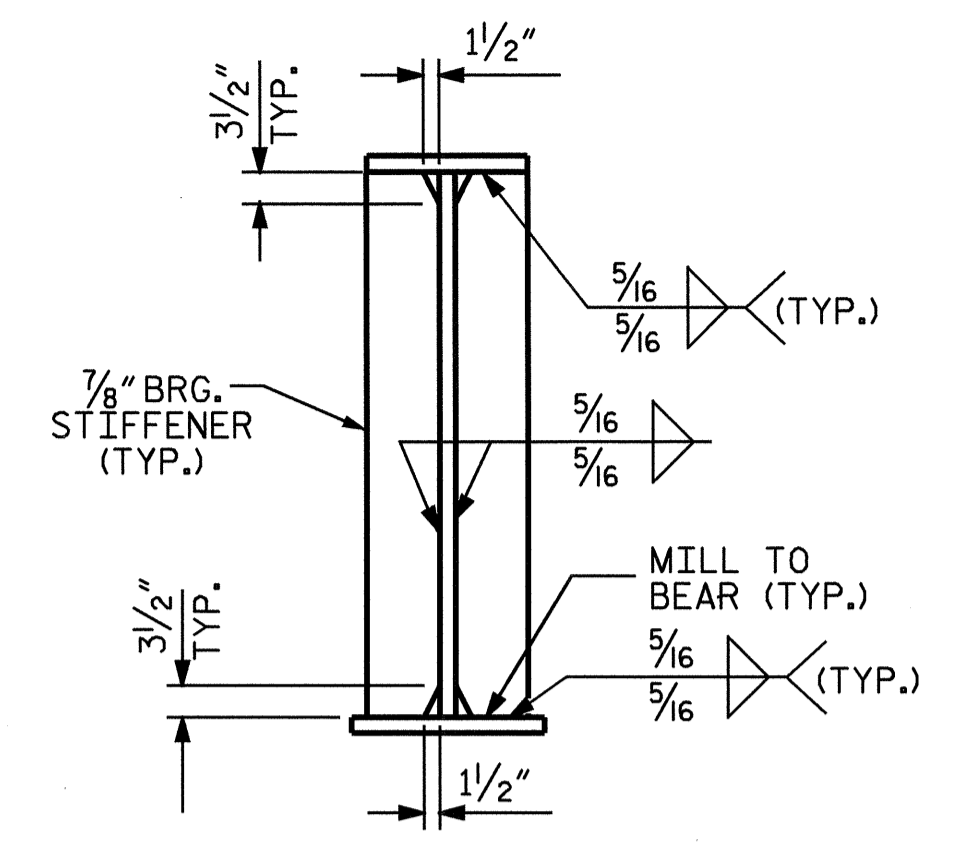
TYPICAL "TEE" TO GUSSET PLATE CONNECTION



TYPICAL STIFFENER OR CONNECTOR PLATE CONNECTIONS

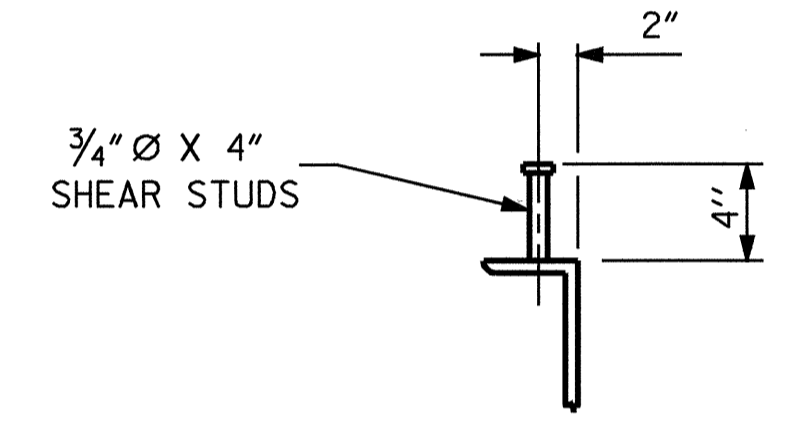


INTERMEDIATE DIAPHRAGM CONNECTOR PLATE

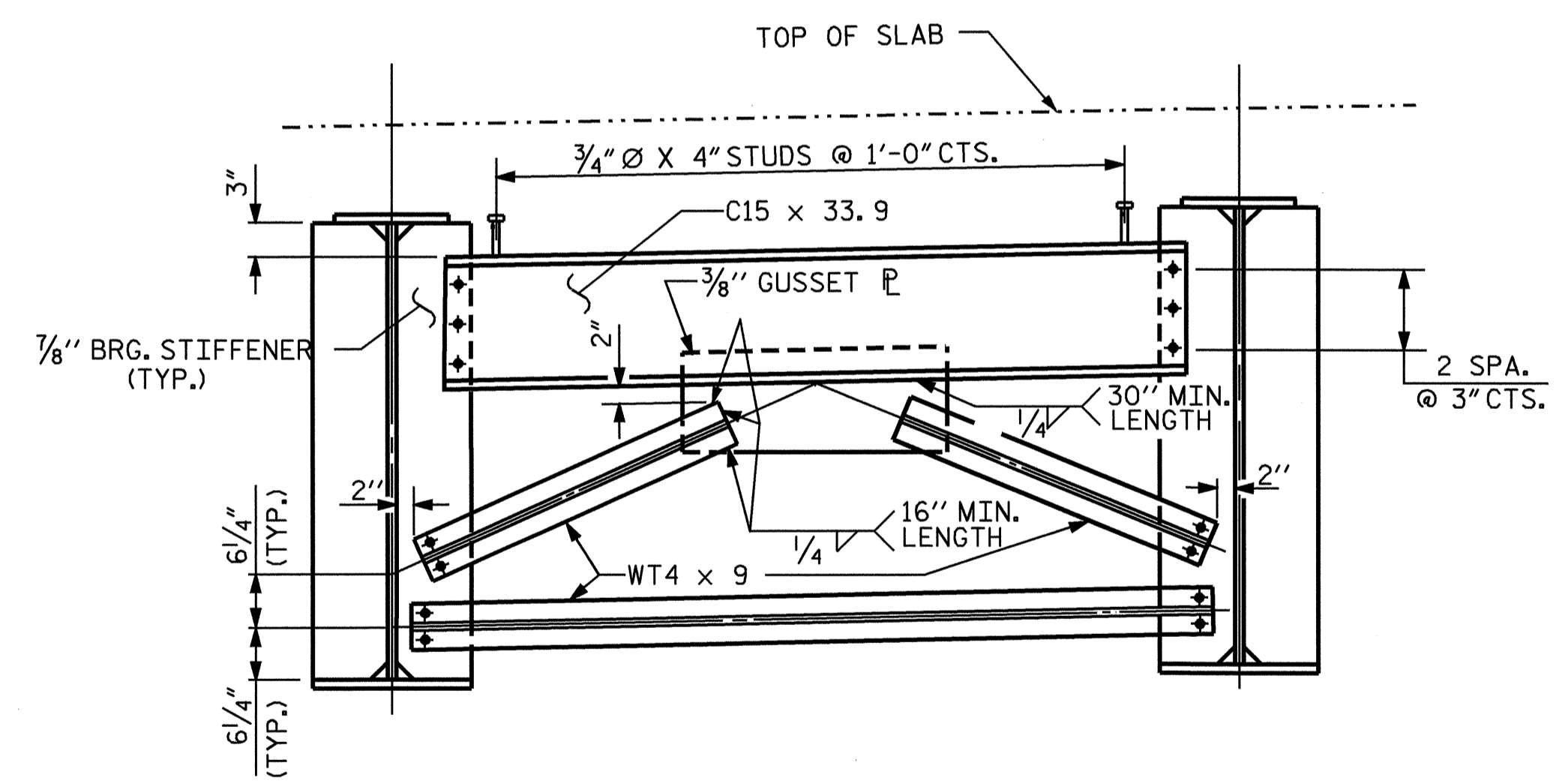


BEARING STIFFENER/CONNECTOR PLATE

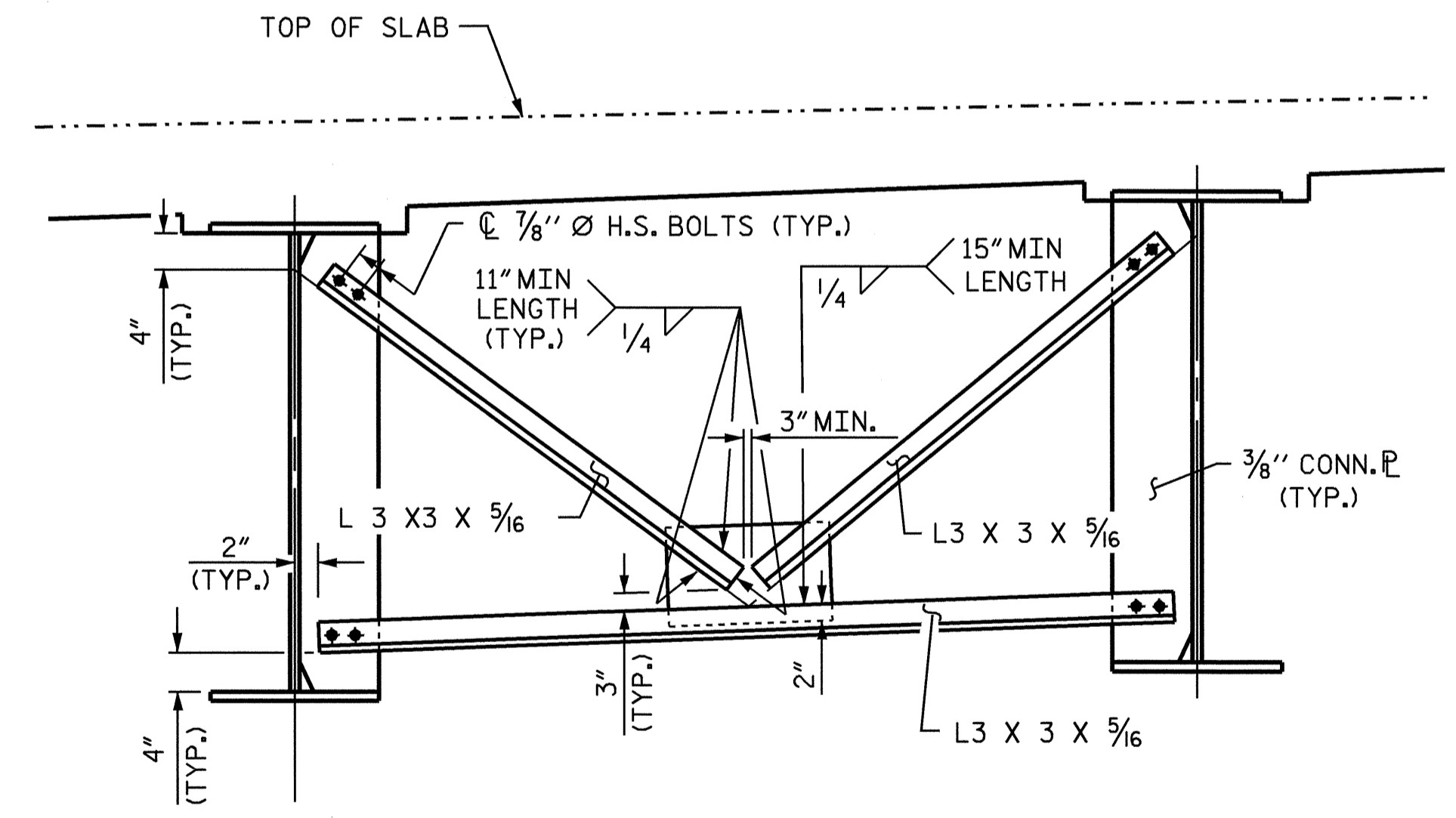
WELD TERMINATION DETAILS



SHEAR STUD DETAIL



TYPICAL END BENT DIAPHRAGM



TYPICAL INTERMEDIATE DIAPHRAGM

PROJECT NO. B-3157  
DAVIDSON COUNTY  
STATION: 29+25.37 -L-

SHEET 2 OF 4

NORTH CAROLINA  
PROFESSIONAL  
SEAL  
025516  
ENGINEER  
EMILY E. MURRAY  
6/29/04

STATE OF NORTH CAROLINA DEPARTMENT OF TRANSPORTATION RALEIGH					
SUPERSTRUCTURE STRUCTURAL STEEL DETAILS					
LEFT LANE					
REVISIONS					
NO.	BY:	DATE:	NO.	BY:	DATE:
1			3		
2			4		
					SHEET NO. S-11
					TOTAL SHEETS 56

DRAWN BY : PEGGY ADKINS DATE : 2-03  
CHECKED BY : M. M. PARSONS DATE : 5-03