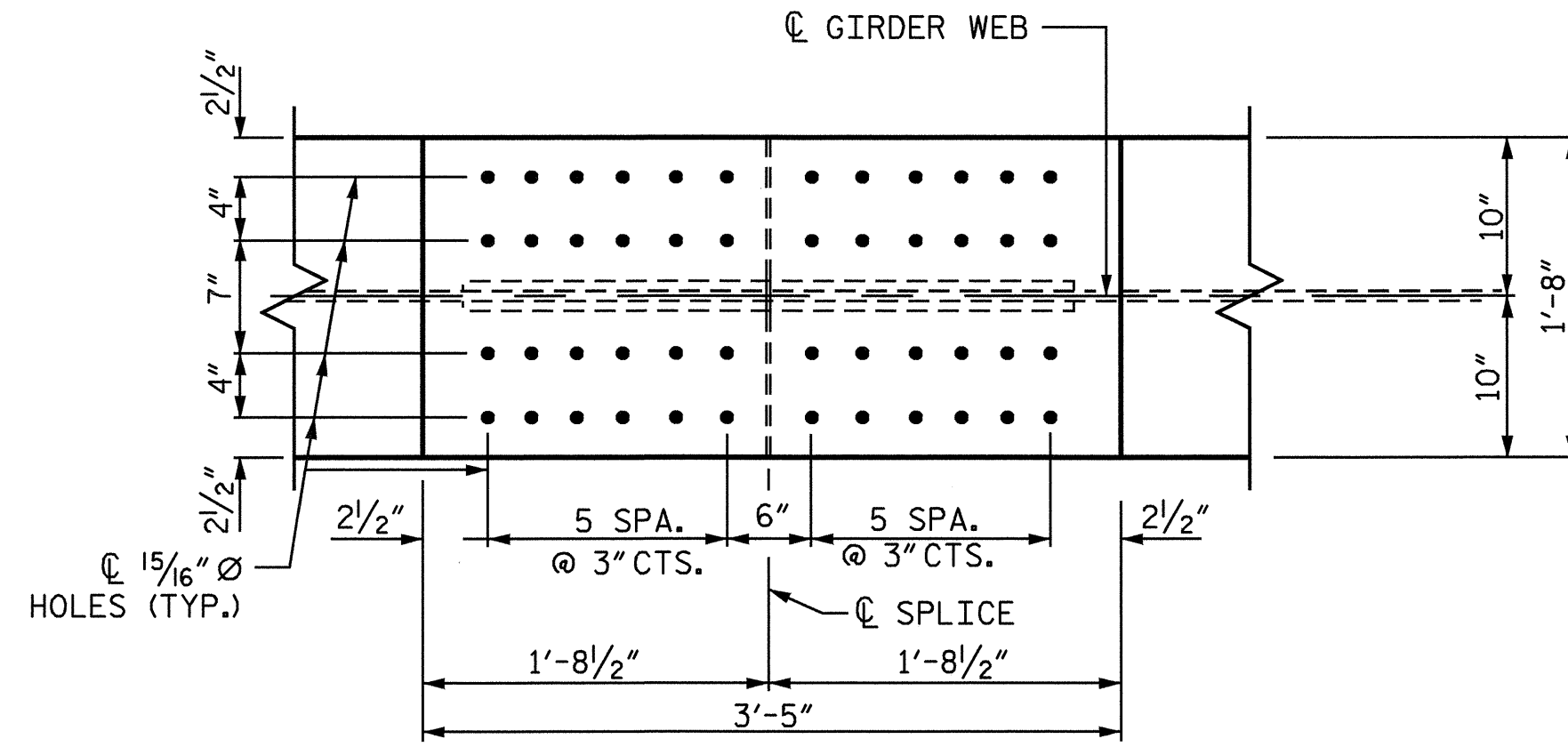
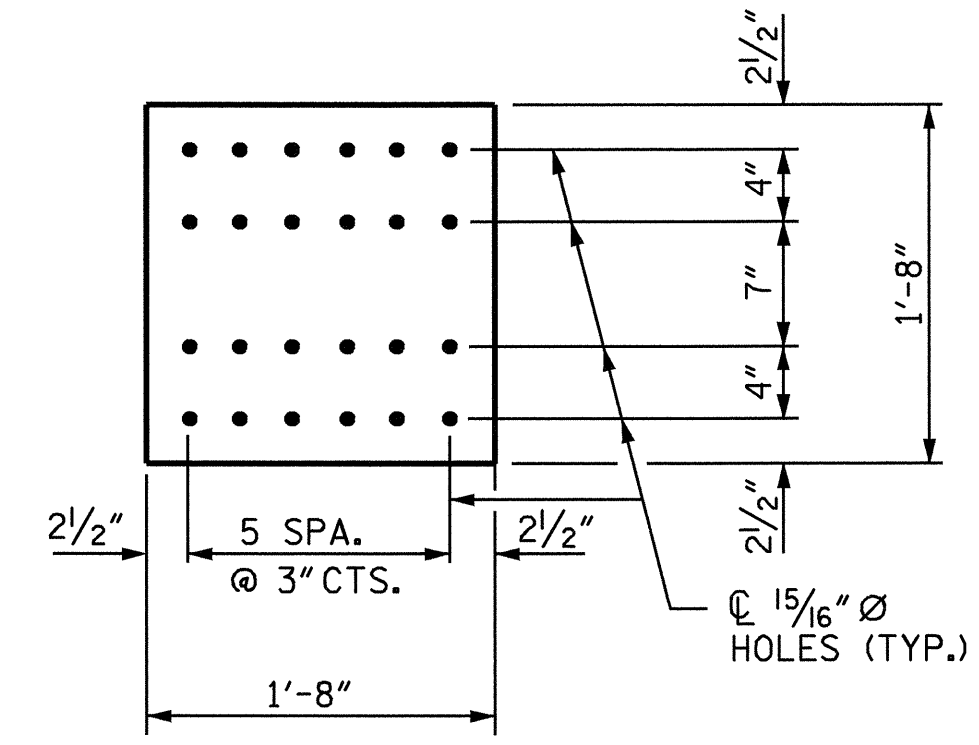


PLAN (BOTTOM OF TOP FLANGE)



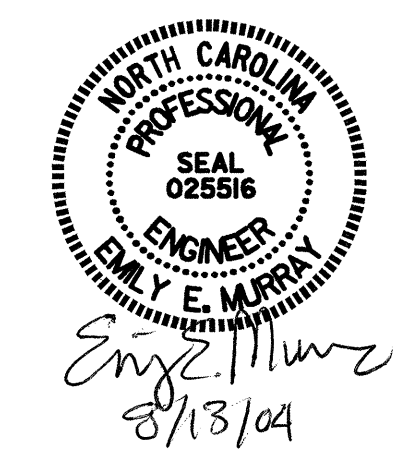
PLAN (BOTTOM OF BOTTOM FLANGE)



FILLER PLATE (BOTTOM FLANGE)

PROJECT NO. B-3157
DAVIDSON COUNTY
 STATION: 29+25.37 -L-

SHEET 4 OF 4



STATE OF NORTH CAROLINA
 DEPARTMENT OF TRANSPORTATION
 RALEIGH
 SUPERSTRUCTURE
 STRUCTURAL STEEL
 OPTIONAL BOLTED
 FIELD SPLICE DETAILS
 LEFT LANE

REVISIONS						SHEET NO.
NO.	BY:	DATE:	NO.	BY:	DATE:	S-13
1			3			TOTAL SHEETS
2			4			56

DRAWN BY : PEGGY ADKINS DATE : 2-03
 CHECKED BY : M. M. PARSONS DATE : 5-03