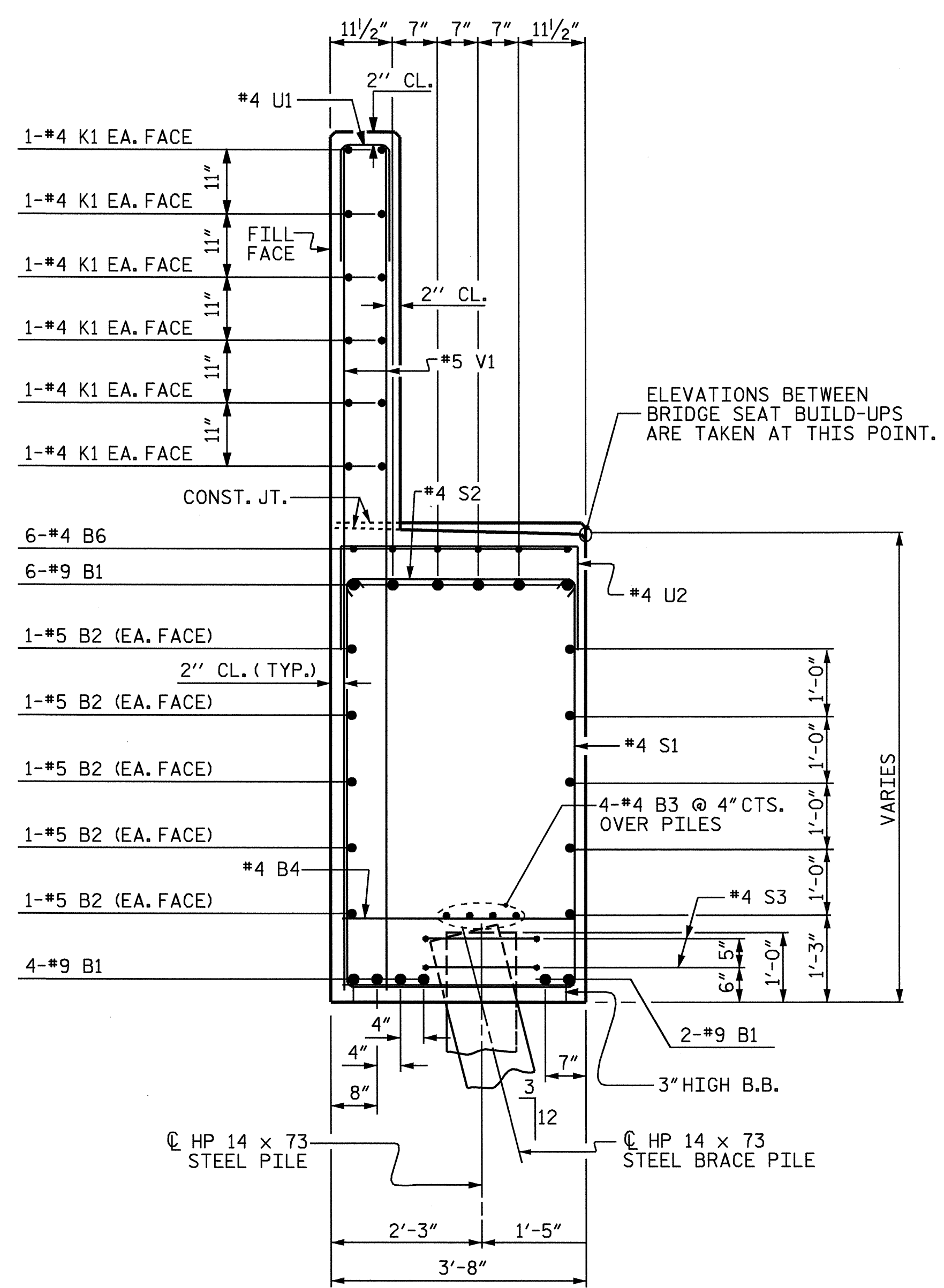
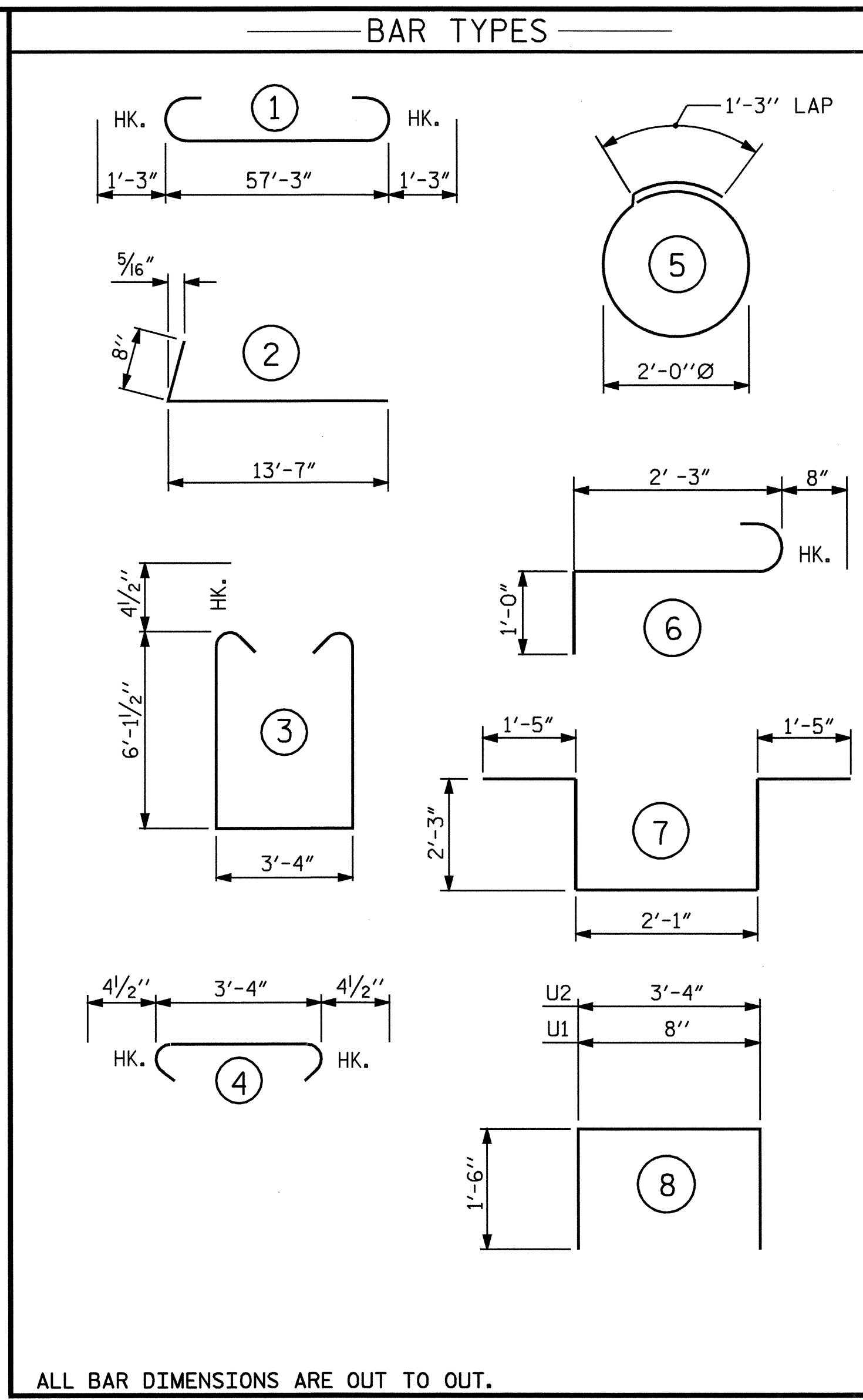


SECTION A-A

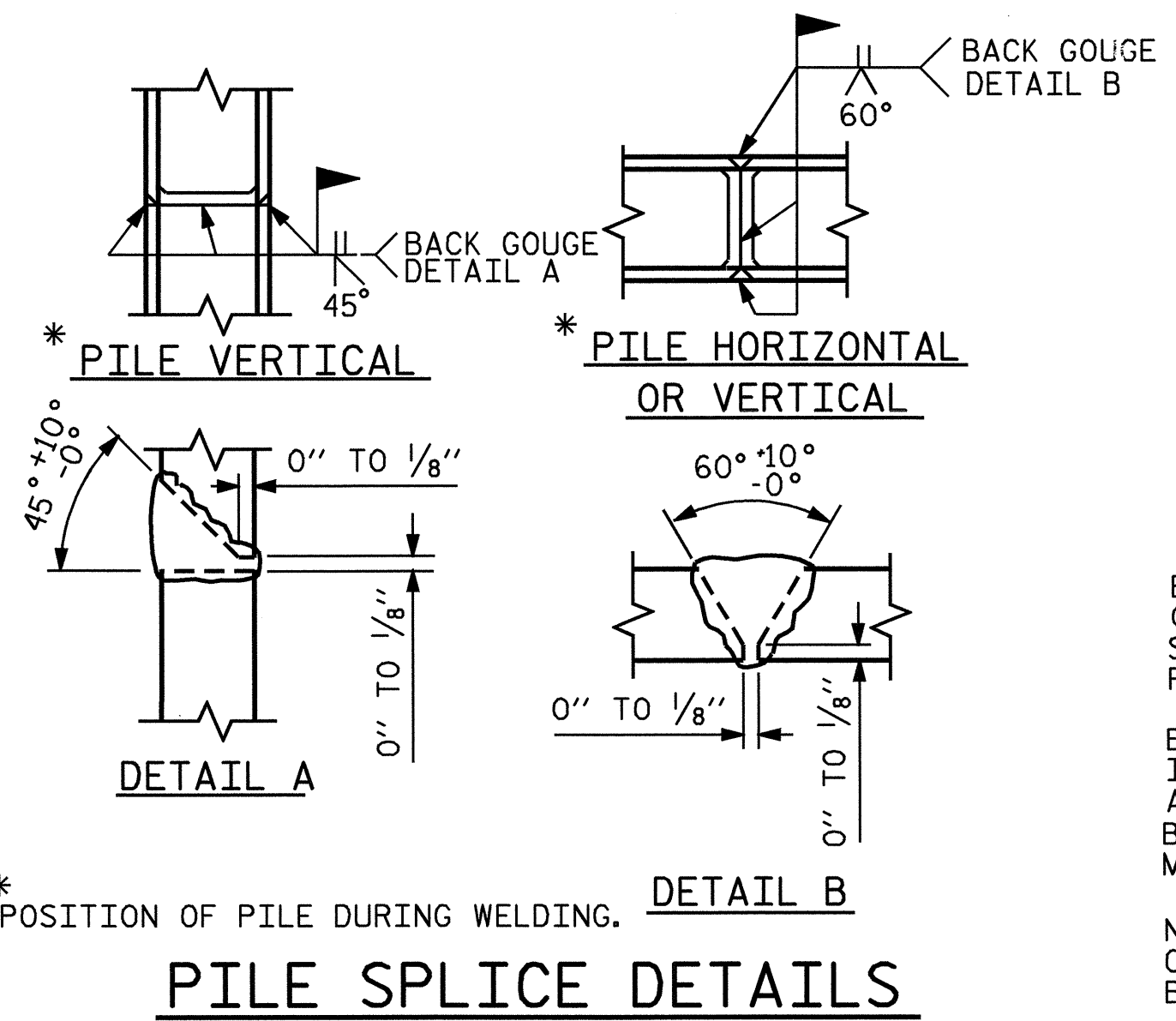


SECTION B-B

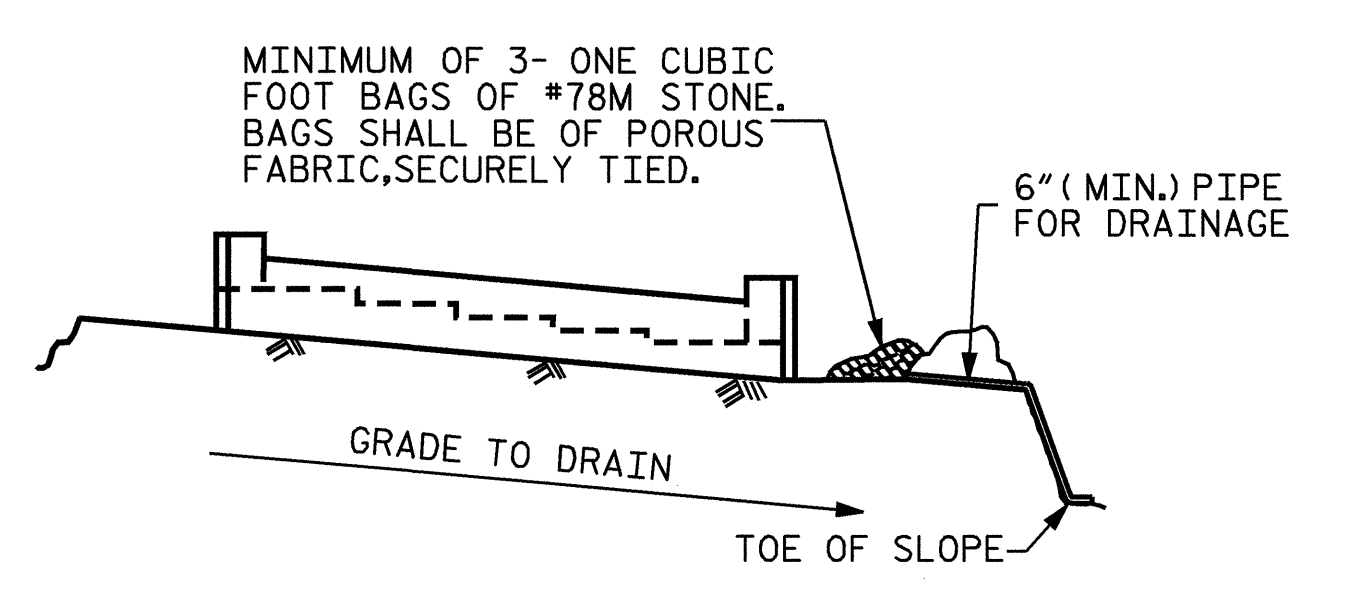


ALL BAR DIMENSIONS ARE OUT TO OUT.

BILL OF MATERIAL					
END BENT #2					
BAR NO.	SIZE	TYPE	LENGTH	WEIGHT	
B1	12	9	1	59'-9"	2438
B2	10	5	STR	57'-5"	599
B3	8	4	STR	30'-0"	160
B4	15	4	STR	3'-4"	33
B5	30	4	STR	2'-4"	47
B6	6	4	STR	5'-9"	23
H1	30	5	2	14'-3"	446
K1	24	4	STR	30'-0"	481
K2	4	5	STR	2'-6"	10
S1	59	4	3	16'-4"	644
S2	59	4	4	4'-1"	161
S3	24	4	5	7'-7"	122
S4	3	6	6	3'-11"	18
S5	1	6	7	9'-5"	14
U1	56	4	8	3'-8"	137
U2	20	4	8	6'-4"	85
V1	108	5	STR	11'-9"	1324
V2	10	5	STR	13'-2"	137
V3	12	5	STR	13'-0"	163
V4	16	5	STR	12'-10"	214
REINFORCING STEEL					LBS 7256
CLASS "A" CONCRETE BREAKDOWN					
POUR #1					
CAP & LOWER PART OF WING					56.2 YD3
POUR #2					
BACKWALL & UPPER PART OF WING					15.0 YD3
CLASS "A" CONCRETE TOTAL					71.2 YD3
HP 14 x 73 STEEL PILES					
NO. 13					LIN. FT. 715



PILE SPLICE DETAILS



MINIMUM OF 3- ONE CUBIC FOOT BAGS OF #78M STONE. BAGS SHALL BE OF POROUS FABRIC, SECURELY TIED.

6" (MIN.) PIPE FOR DRAINAGE

GRADE TO DRAIN

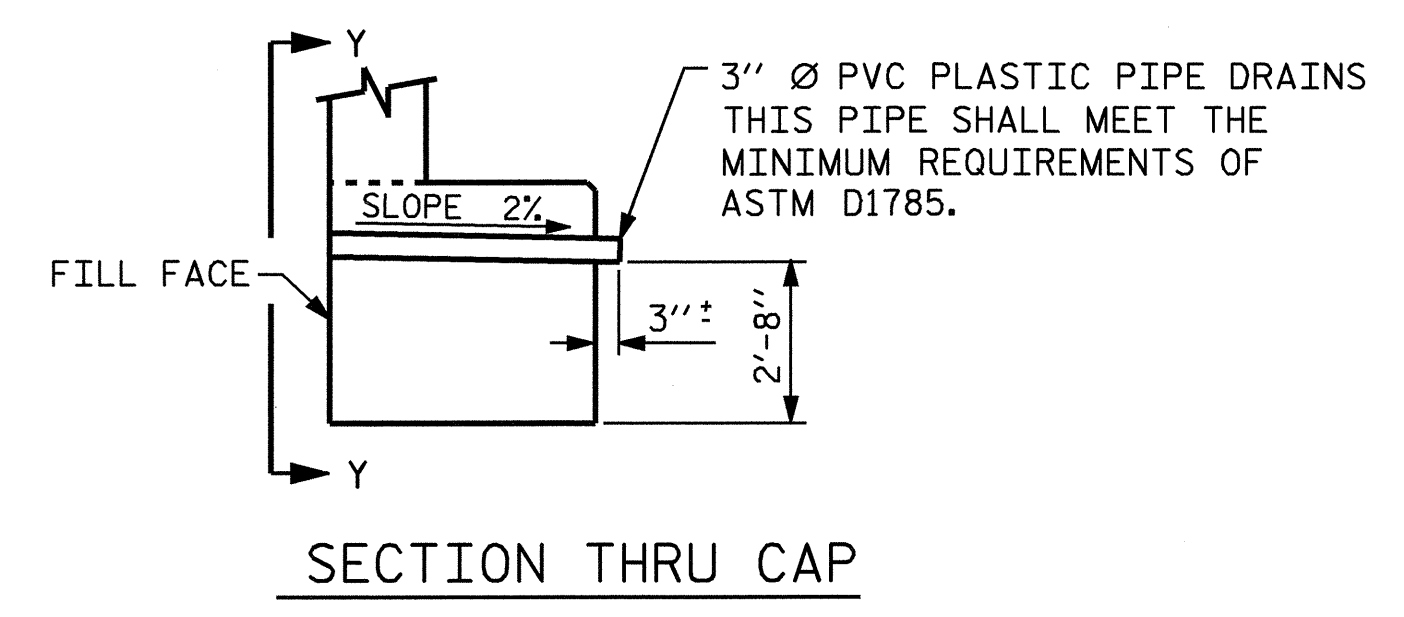
TOE OF SLOPE

BAGGED STONE AND PIPE SHALL BE PLACED IMMEDIATELY AFTER COMPLETION OF END BENT EXCAVATION. PIPE MAY BE EITHER CONCRETE, CORRUGATED STEEL, CORRUGATED ALUMINUM ALLOY, OR CORRUGATED PLASTIC. PERFORATED PIPE WILL NOT BE ALLOWED.

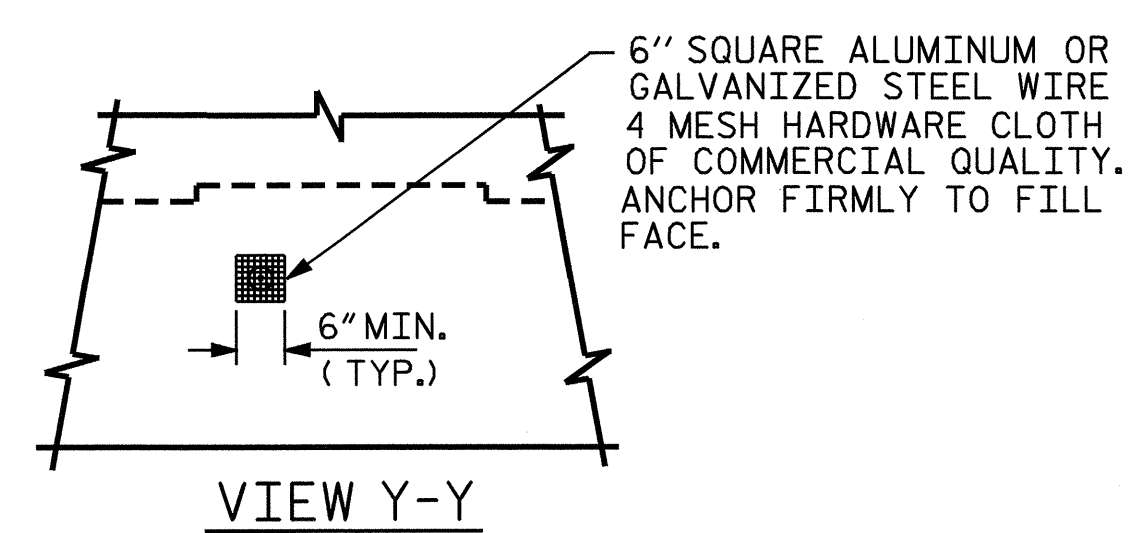
BAGGED STONE SHALL REMAIN IN PLACE UNTIL THE ENGINEER DIRECTS THAT IT BE REMOVED. THE CONTRACTOR SHALL REMOVE AND DISPOSE OF SILT ACCUMULATIONS AT BAGGED STONE WHEN SO DIRECTED BY THE ENGINEER. BAGS SHALL BE REMOVED AND REPLACED WHENEVER THE ENGINEER DETERMINES THAT THEY HAVE DETERIORATED AND LOST THEIR EFFECTIVENESS.

NO SEPARATE PAYMENT WILL BE MADE FOR THIS WORK AND THE ENTIRE COST OF THIS WORK SHALL BE INCLUDED IN THE UNIT CONTRACT PRICE BID FOR THE SEVERAL PAY ITEMS.

TEMPORARY DRAINAGE AT END BENT



SECTION THRU CAP



VIEW Y-Y

NOTE: NO SEPARATE PAYMENT WILL BE MADE FOR FURNISHING AND INSTALLING THE PVC PLASTIC PIPE DRAINS, HARDWARE CLOTH AND FASTENERS. THE ENTIRE COST OF THIS WORK SHALL BE INCLUDED IN THE UNIT CONTRACT PRICE BID FOR THE SEVERAL PAY ITEMS.

PIPE DRAIN DETAILS

PROJECT NO. B-3157
 DAVIDSON COUNTY
 STATION: 29+25.37 -L-
 SHEET 3 OF 3

STATE OF NORTH CAROLINA DEPARTMENT OF TRANSPORTATION RALEIGH					
SUBSTRUCTURE					
END BENT #2					
LEFT LANE					
REVISIONS					
NO.	BY:	DATE:	NO.	BY:	DATE:
1			3		
2			4		

EMILY E. MURPHY
 PROFESSIONAL ENGINEER
 SEAL 025516
 6/29/69

DRAWN BY: T.L. AVERETTE DATE: 05-03
 CHECKED BY: W.D. CRUTCHER DATE: 07-03