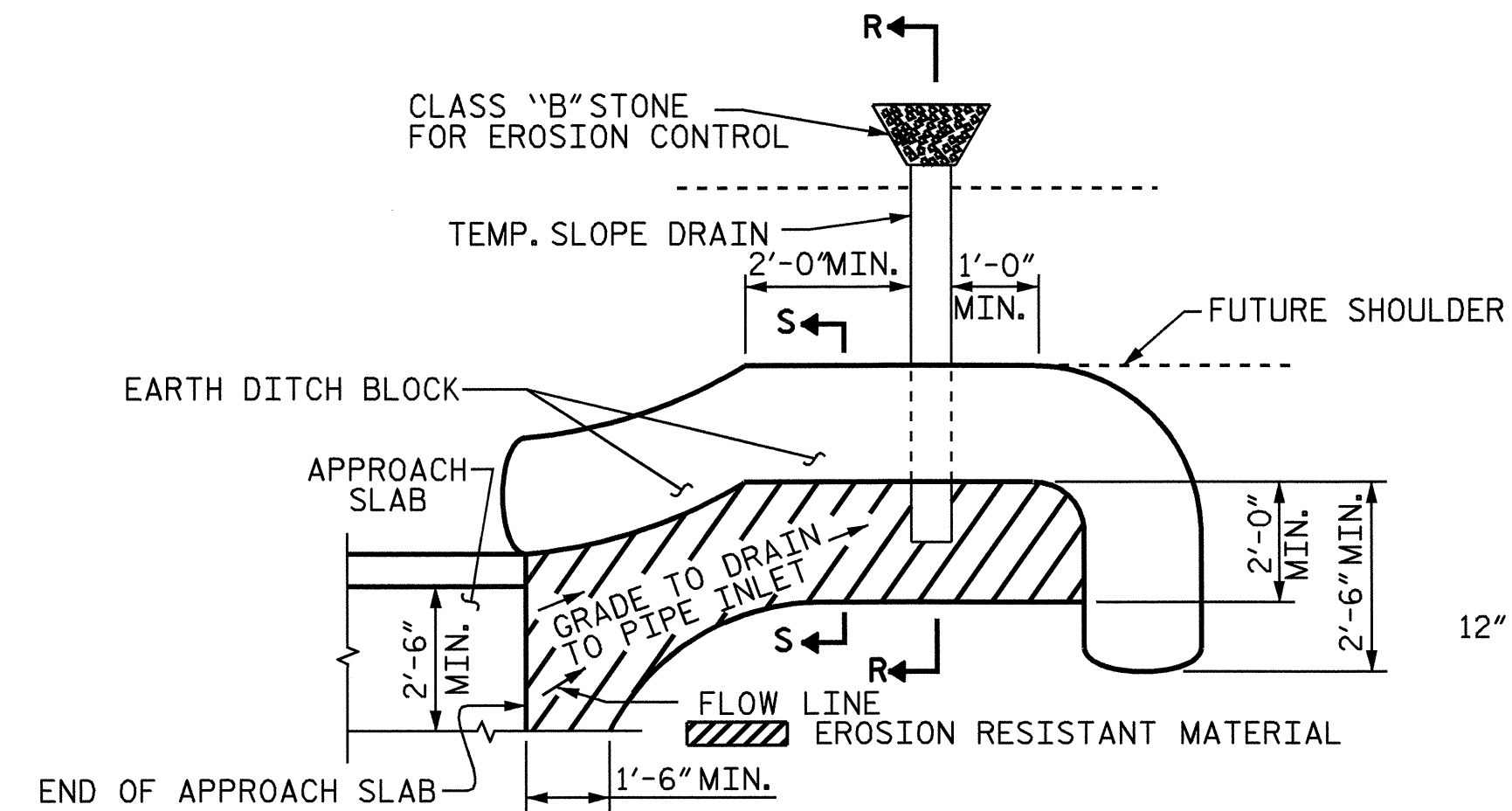


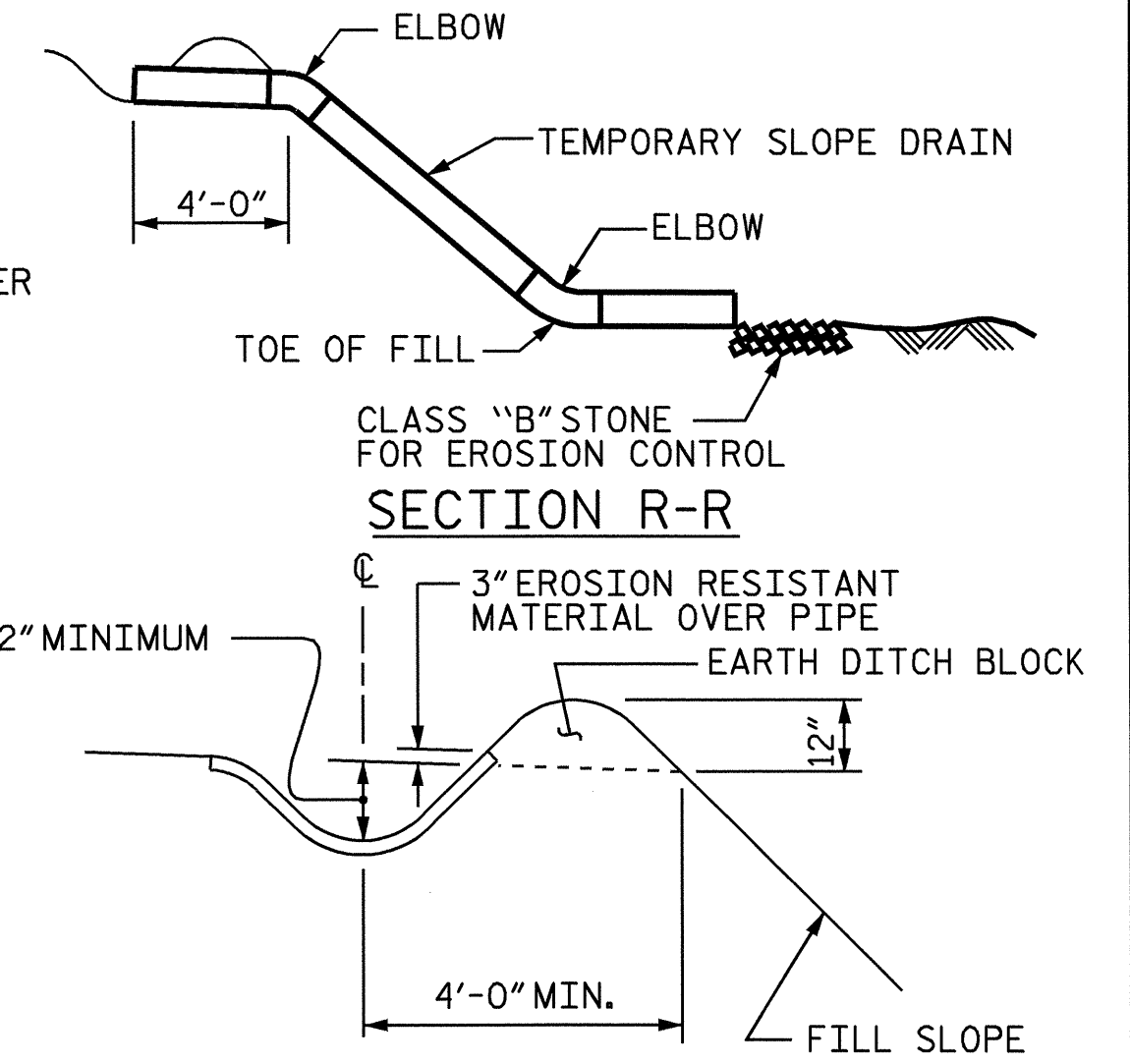
NOTE: IF THE APPROACH SLAB IS NOT CONSTRUCTED IMMEDIATELY AFTER THE BACKFILLING OF THE END BENT EXCAVATION, GRADE TO DRAIN TO THE BOTTOM OF THE SLOPE AND PROVIDE EROSION RESISTANT MATERIAL, SUCH AS FIBERGLASS ROVING OR AS DIRECTED BY THE ENGINEER TO PREVENT SOIL EROSION AND TO PROTECT THE AREA ADJACENT TO THE STRUCTURE. THE CONTRACTOR WILL BE REQUIRED TO REMOVE THESE MATERIALS PRIOR TO CONSTRUCTION OF THE APPROACH SLAB.

TEMPORARY DRAINAGE DETAIL



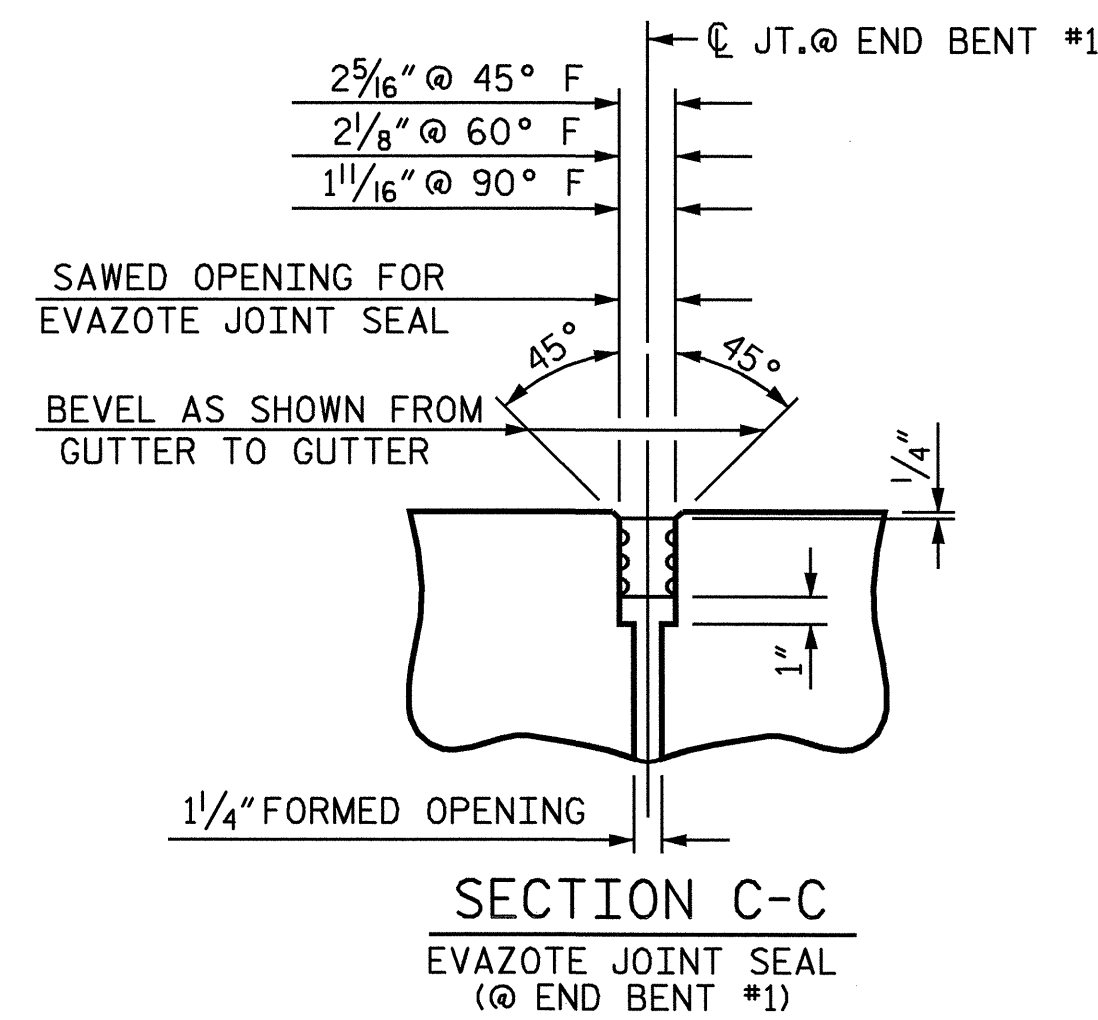
NOTE: IMMEDIATELY AFTER THE CONSTRUCTION OF THE APPROACH SLAB, THE CONTRACTOR SHALL PROVIDE TEMPORARY BERM AND SLOPE DRAIN. CONTRACTOR SHALL GRADE TO PIPE INLET AND PROVIDE EROSION RESISTANT MATERIAL AS SHOWN. THE EROSION RESISTANT MATERIAL SHALL BE EITHER 1) ASPHALT PLANT MIX, TYPE 1 OR TYPE 2, MIN. 2" DEPTH, 2) EROSION CONTROL MAT, OR 3) CONCRETE, AS DIRECTED BY THE ENGINEER. THE SLOPE DRAIN SHALL CONSIST OF A NON-PERFORATED TEMPORARY DRAINAGE PIPE, 12 INCHES IN DIAMETER.

PLAN VIEW

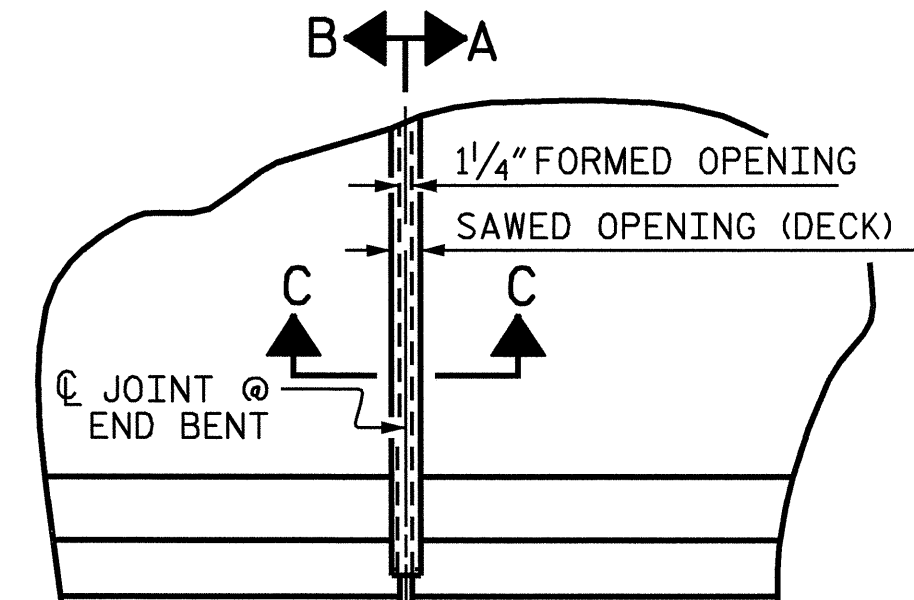


SECTION S-S

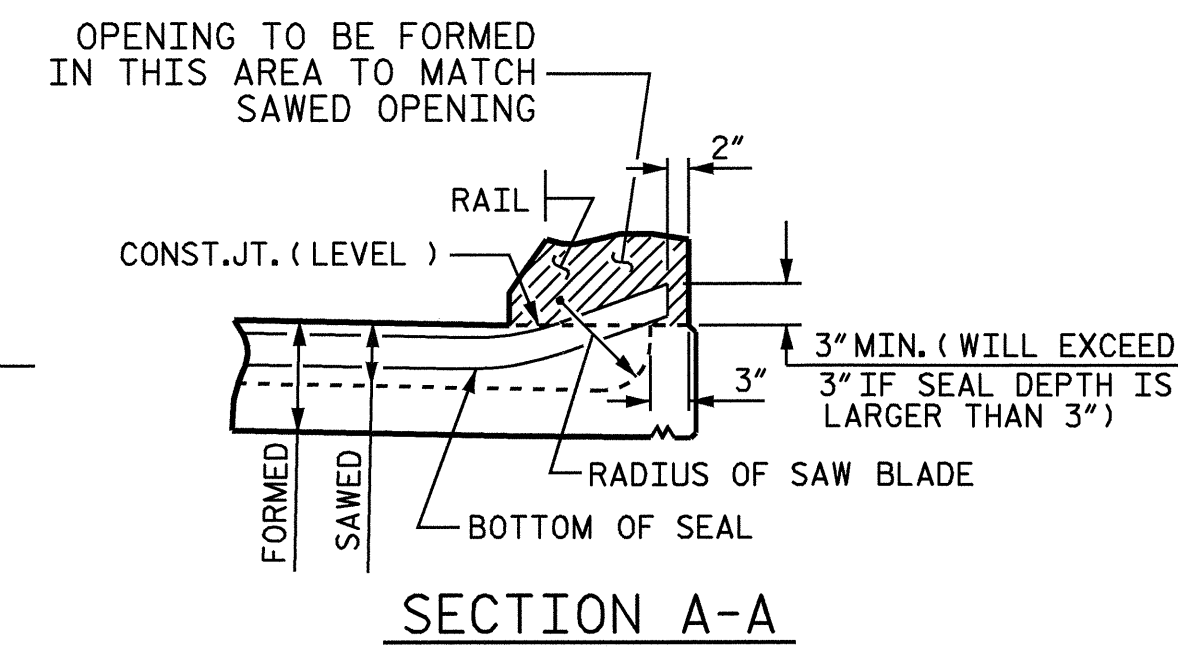
TEMPORARY BERM AND SLOPE DRAIN DETAILS



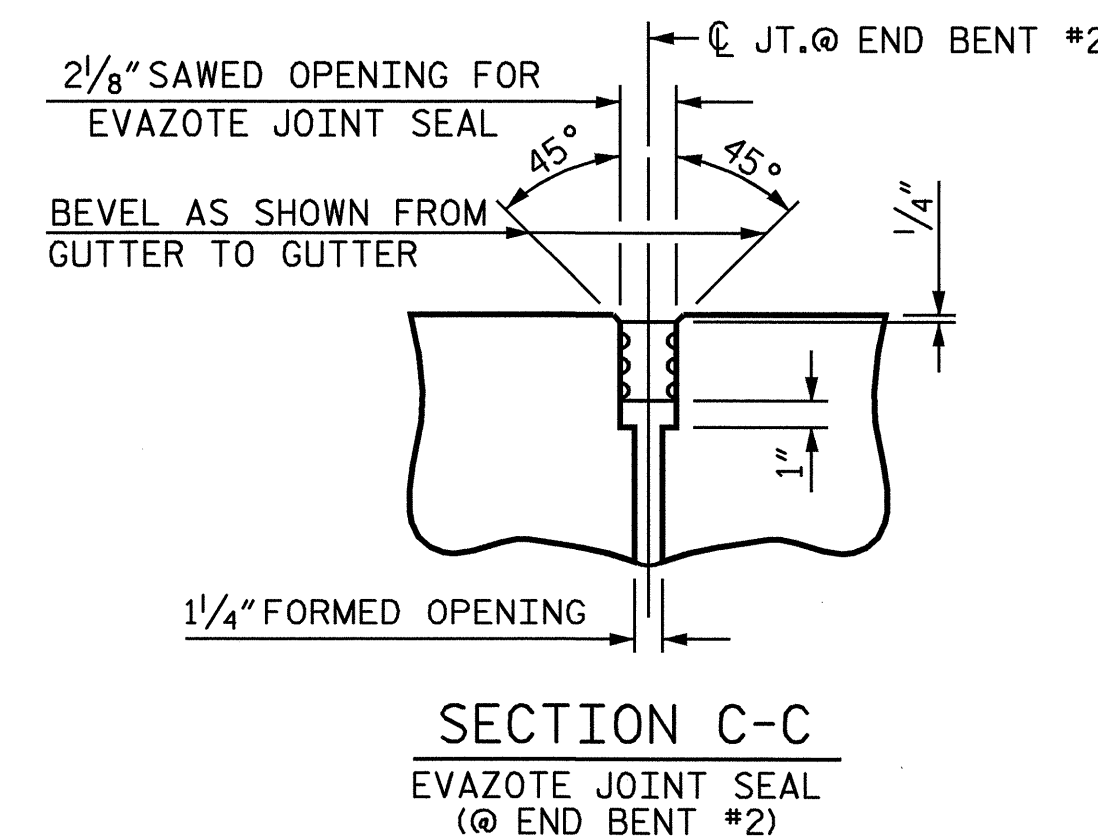
SECTION C-C
EVAZOTE JOINT SEAL
(@ END BENT #1)



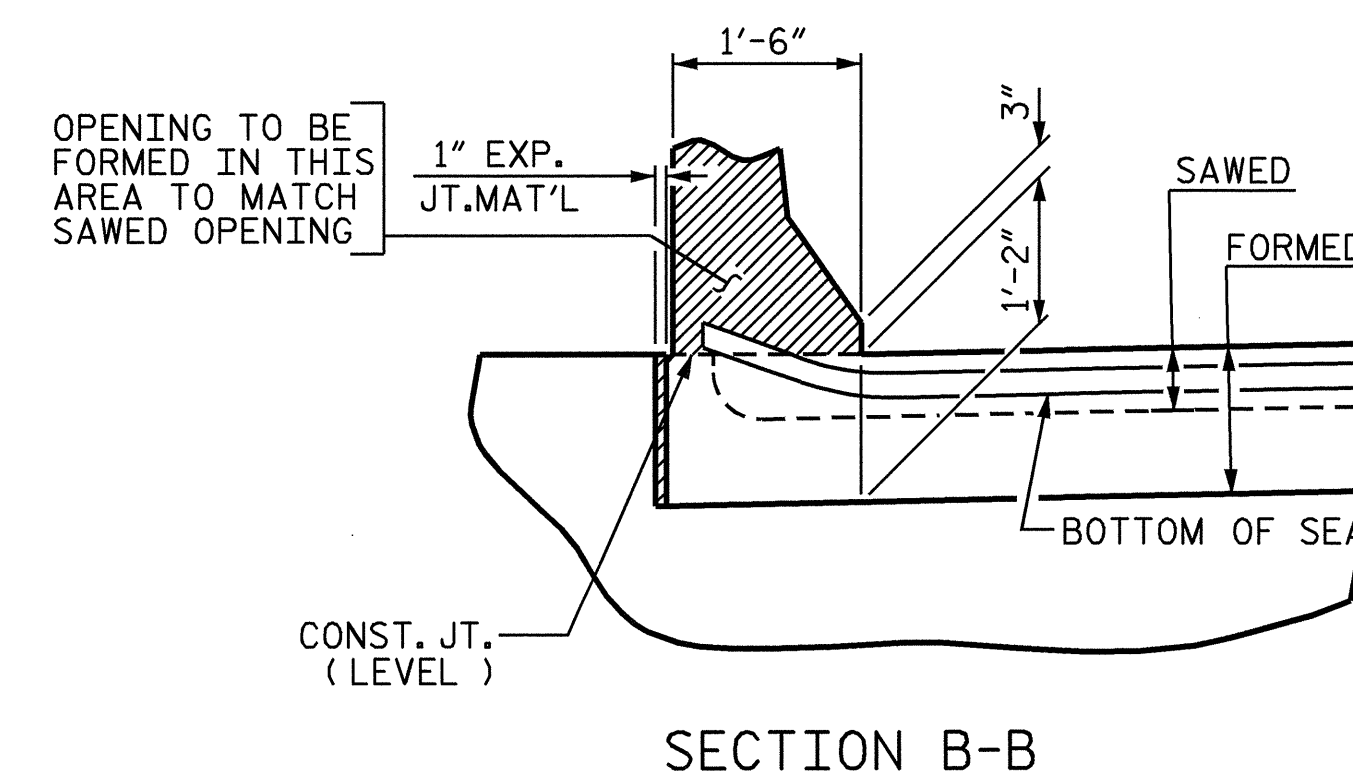
PLAN



SECTION A-A



SECTION C-C
EVAZOTE JOINT SEAL
(@ END BENT #2)



SECTION B-B

JOINT SEAL DETAILS @ END BENT
(FOR BARRIER RAIL)

PROJECT NO. B-3157
DAVIDSON COUNTY
 STATION: 29+25.37 -L-

SHEET 4 OF 4

STATE OF NORTH CAROLINA
 DEPARTMENT OF TRANSPORTATION
 RALEIGH

STANDARD
 BRIDGE APPROACH
 SLAB DETAILS
 LEFT LANE

REVISIONS						SHEET NO.	
NO.	BY:	DATE:	NO.	BY:	DATE:	S-28	
1			3			TOTAL SHEETS	
2			4			56	

EMIL E. MURPHY
 6/29/04

ASSEMBLED BY : T.L. AVERETTE	DATE : 06-04
CHECKED BY : P. ADKINS	DATE : 06-04
DRAWN BY : FCJ 11/88	REV. 8/16/99 MAB/LES
CHECKED BY : ARB 11/88	REV. 10/17/00 RWW/LES
	REV. 5/7/03 RWW/JTE