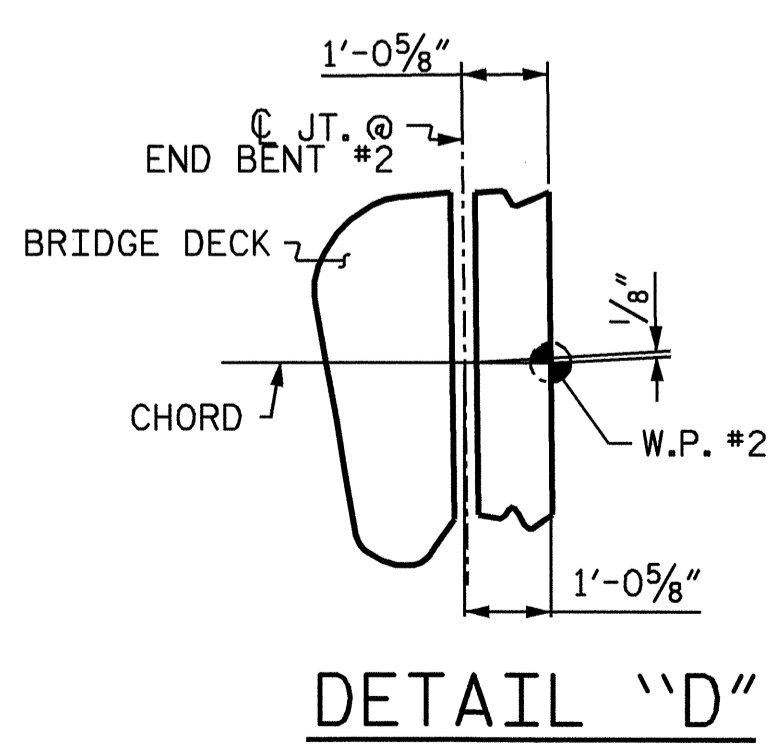
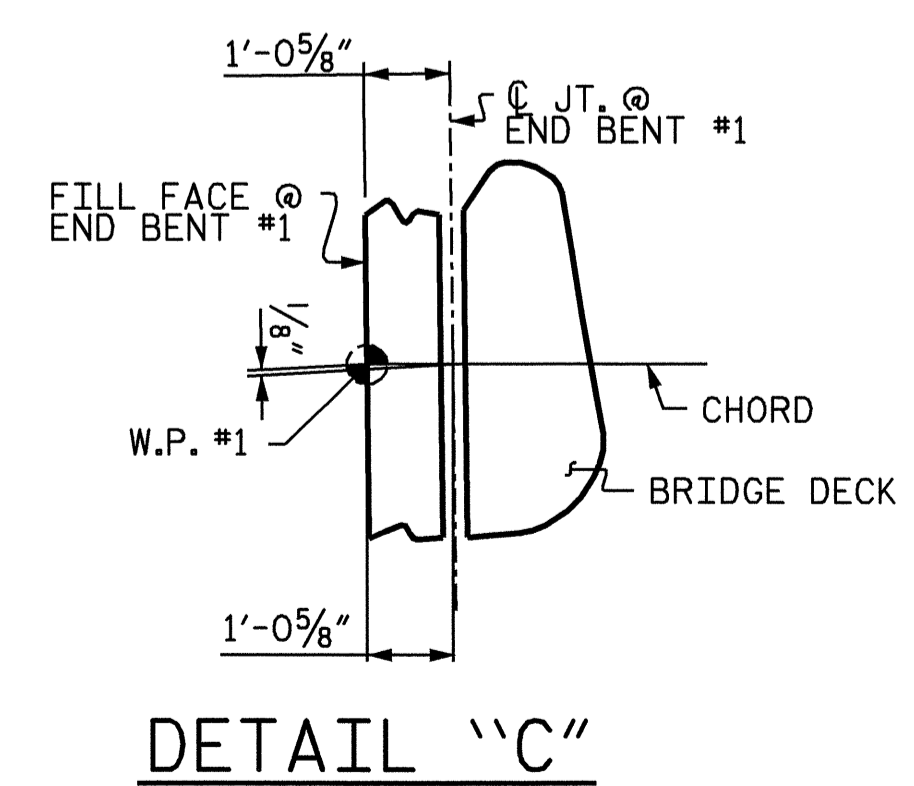
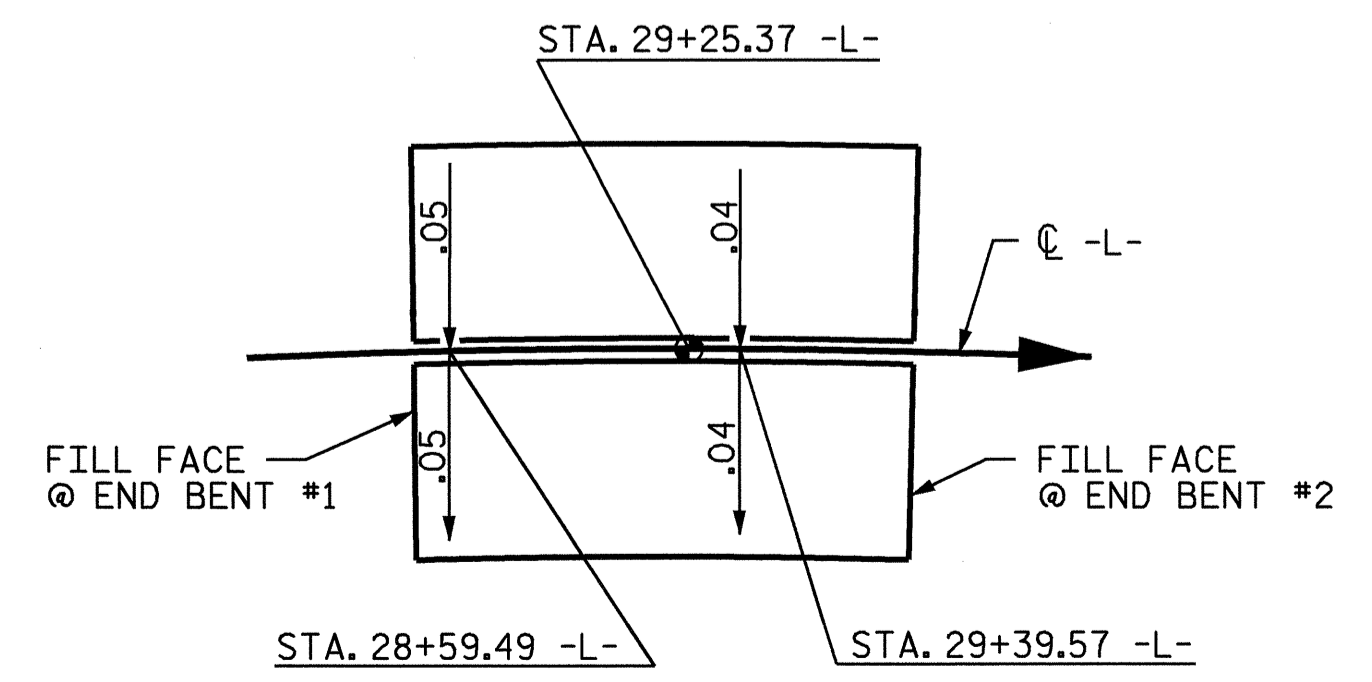


138'-0<sup>15</sup>/<sub>16</sub>" (ALONG CHORD)  
 (FILL FACE @ END BENT #1 TO FILL FACE @ END BENT #2)



PLAN OF SPAN "A"

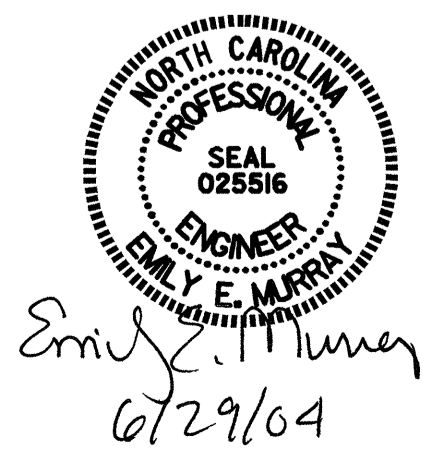
\* RADIAL DIMENSION  
 ▼ THESE BARS ARE TO BE PARALLEL TO THE SKEW.



PROJECT NO. B-3157  
 DAVIDSON COUNTY  
 STATION: 29+25.37 -L-

SHEET 1 OF 2

STATE OF NORTH CAROLINA  
 DEPARTMENT OF TRANSPORTATION  
 RALEIGH  
 SUPERSTRUCTURE  
 PLAN OF SPAN "A"  
 RIGHT LANE



REVISIONS						SHEET NO.	
NO.	BY:	DATE:	NO.	BY:	DATE:	S-35	
1			3			TOTAL SHEETS	
2			4			56	

DRAWN BY : PEGGY ADKINS DATE : 4-03  
 CHECKED BY : M. M. PARSONS DATE : 5-03