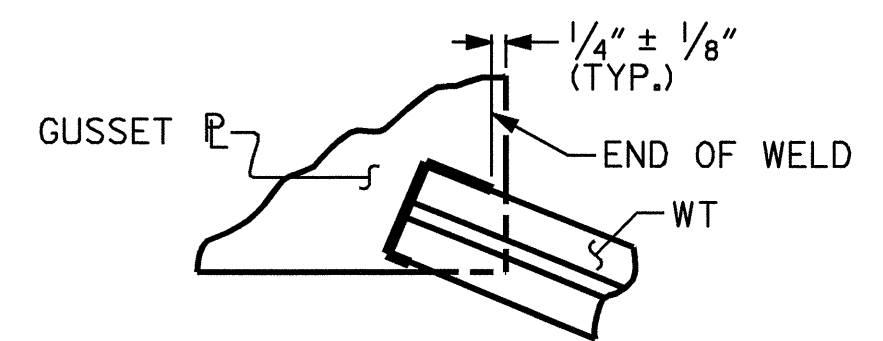
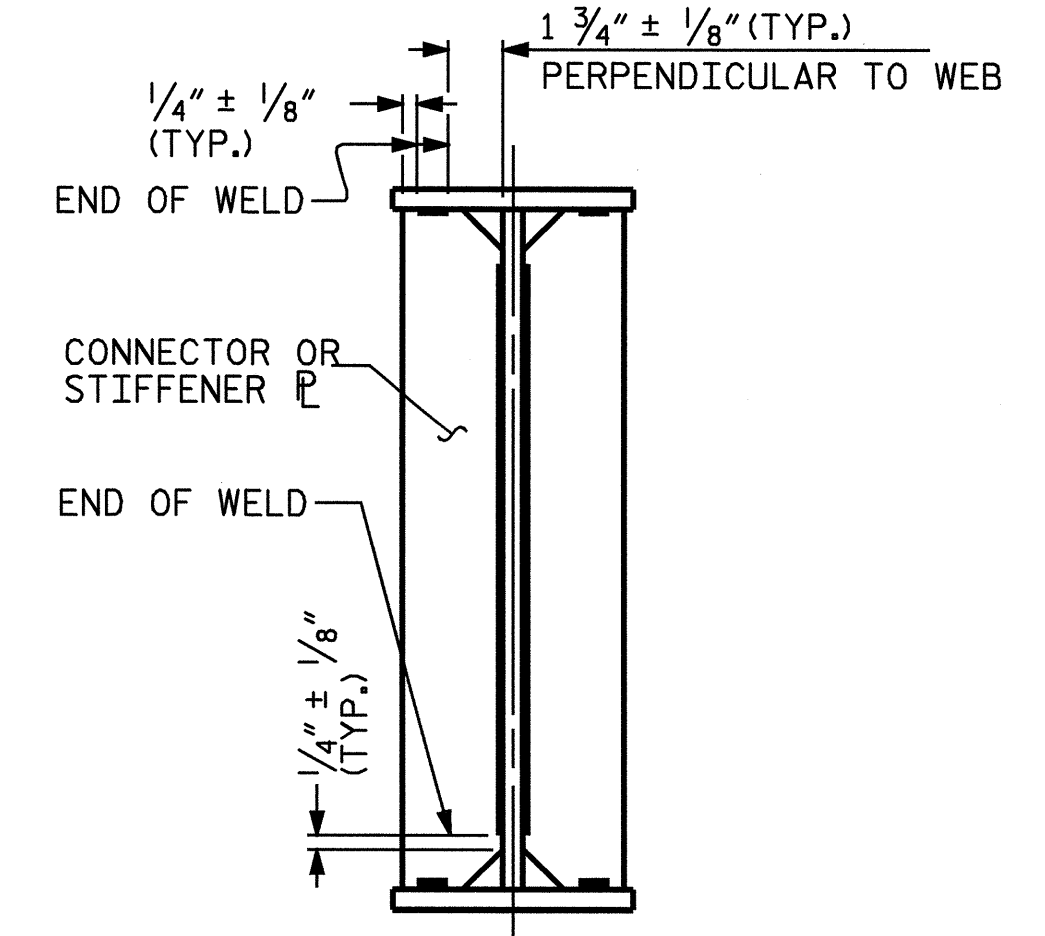


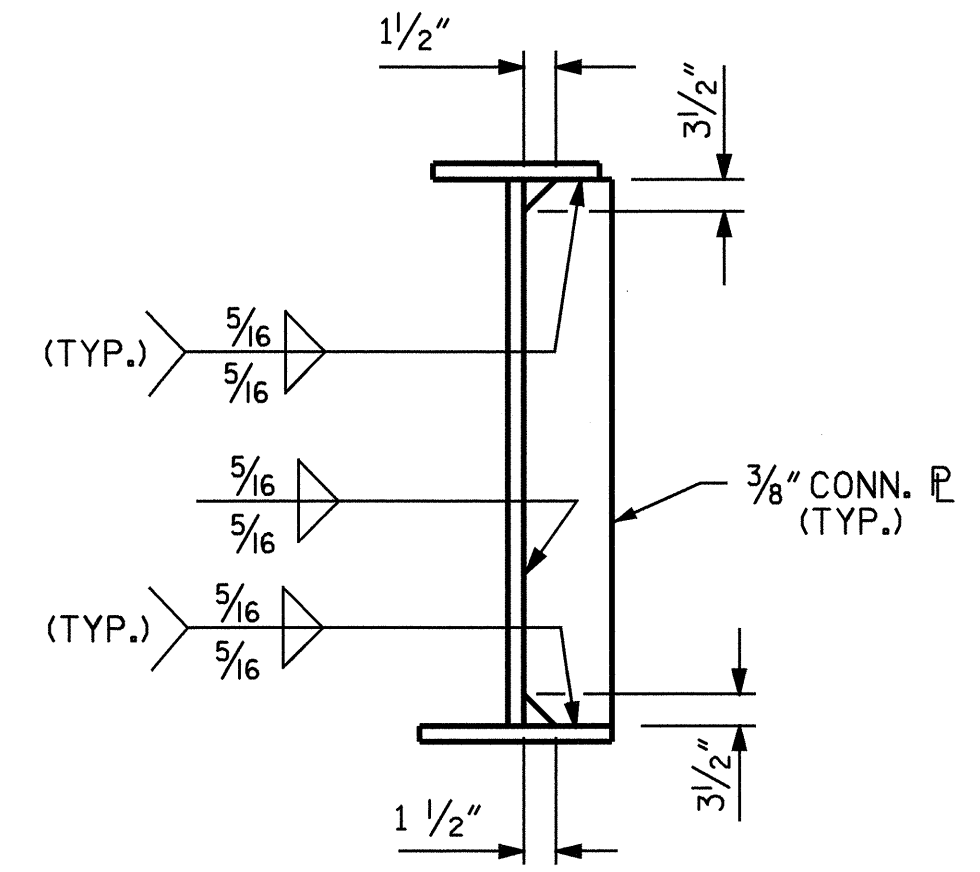
TYPICAL GUSSET PLATE CONNECTION



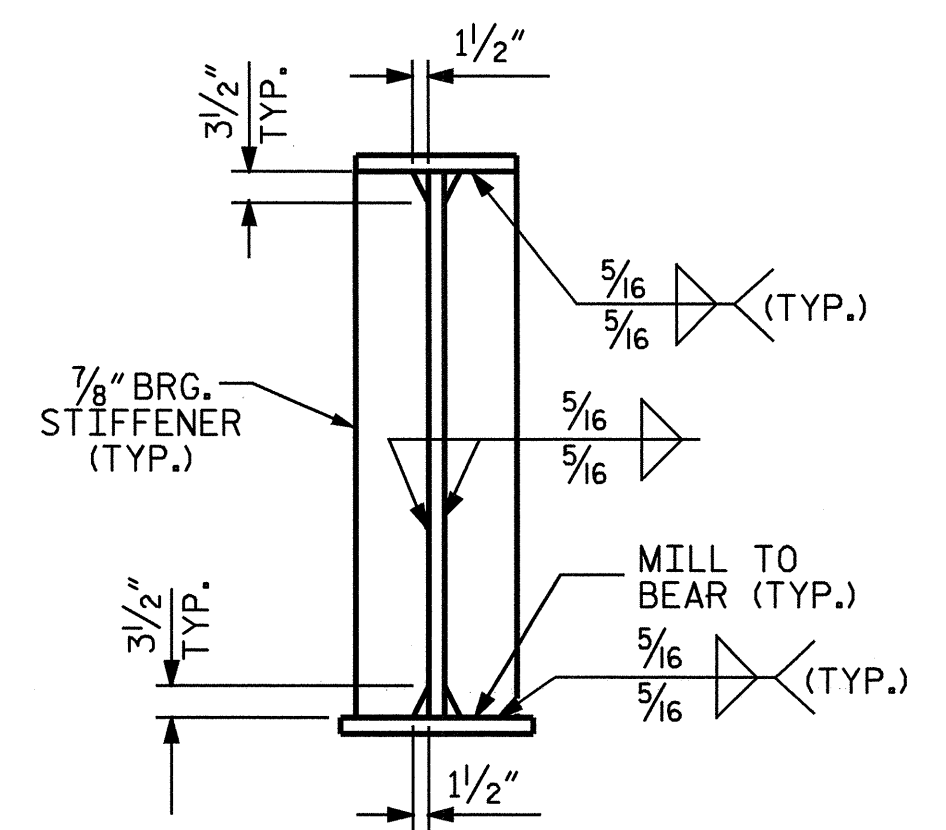
TYPICAL "TEE" TO GUSSET PLATE CONNECTION



TYPICAL STIFFENER OR CONNECTOR PLATE CONNECTIONS

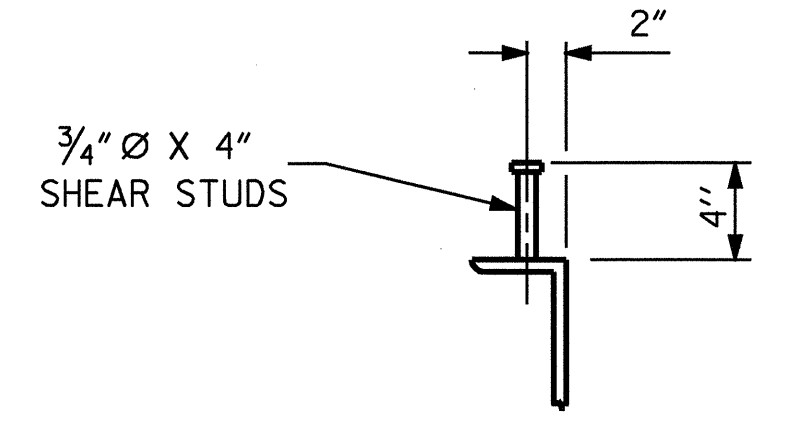


INTERMEDIATE DIAPHRAGM CONNECTOR PLATE

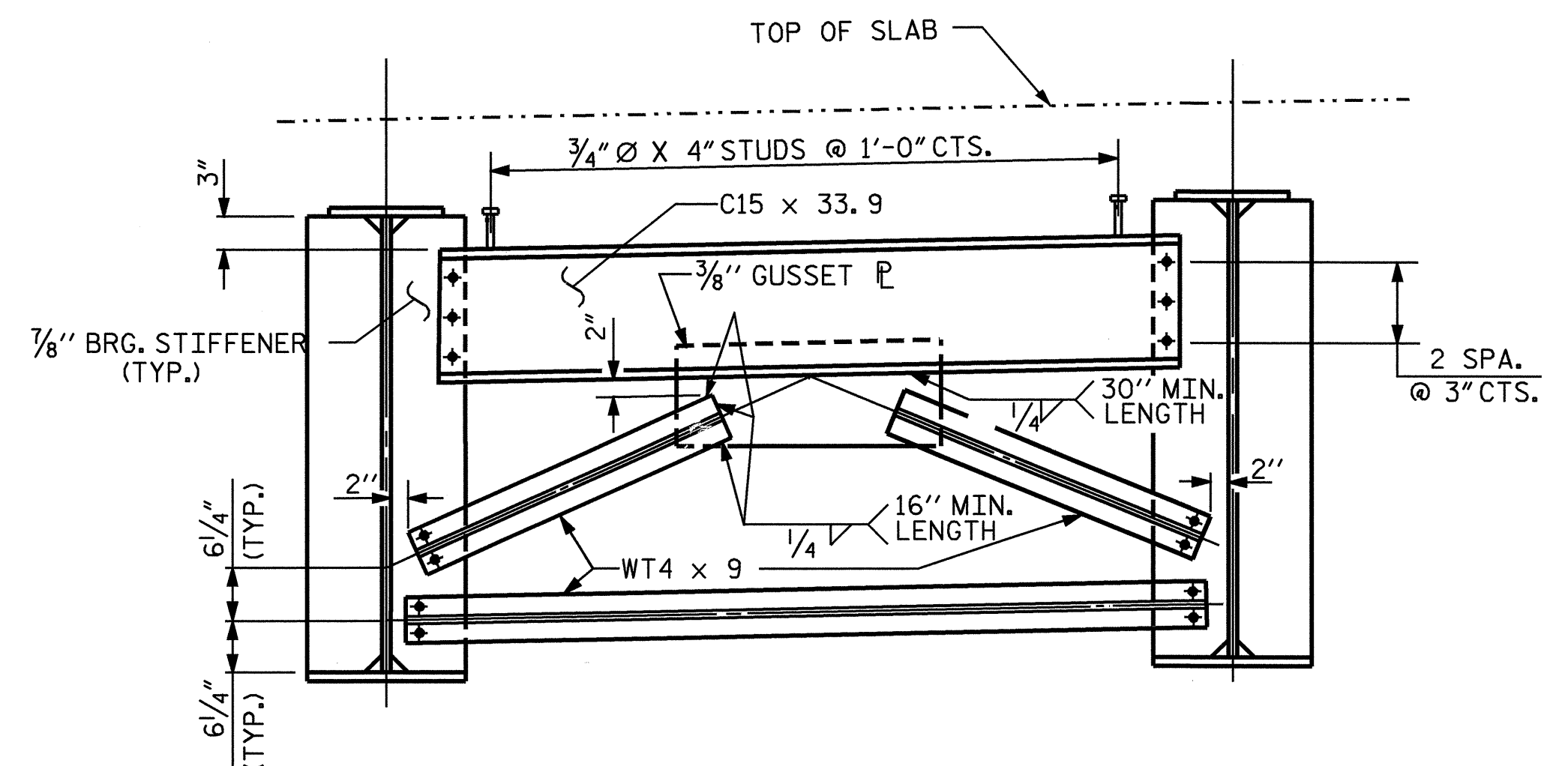


BEARING STIFFENER/CONNECTOR PLATE

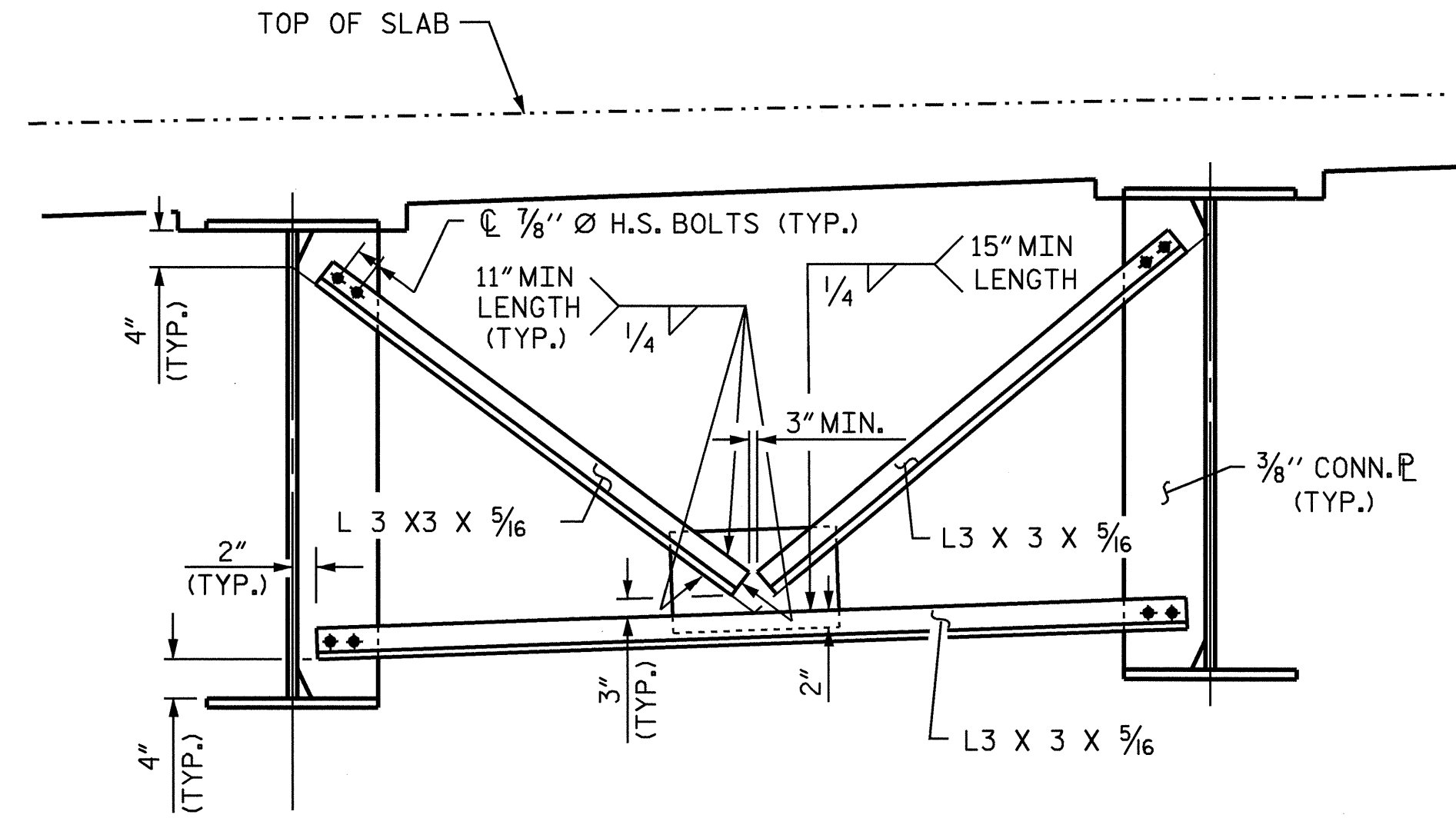
WELD TERMINATION DETAILS



SHEAR STUD DETAIL



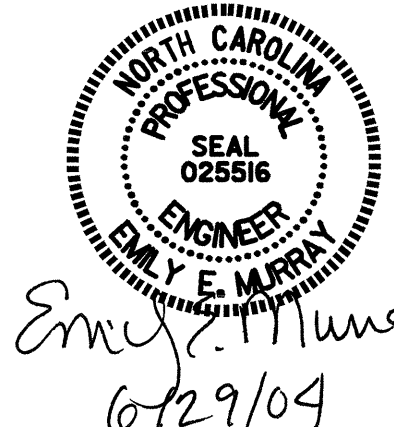
TYPICAL END BENT DIAPHRAGM



TYPICAL INTERMEDIATE DIAPHRAGM

PROJECT NO. B-3157
DAVIDSON COUNTY
STATION: 29+25.37 -L-

SHEET 2 OF 4



STATE OF NORTH CAROLINA DEPARTMENT OF TRANSPORTATION RALEIGH					
SUPERSTRUCTURE STRUCTURAL STEEL DETAILS					
RIGHT LANE					
REVISIONS					
NO.	BY:	DATE:	NO.	BY:	DATE:
1			3		
2			4		
SHEET NO. S-39					TOTAL SHEETS 56

DRAWN BY : PEGGY ADKINS DATE : 4-03
CHECKED BY : M. M. PARSONS DATE : 5-03