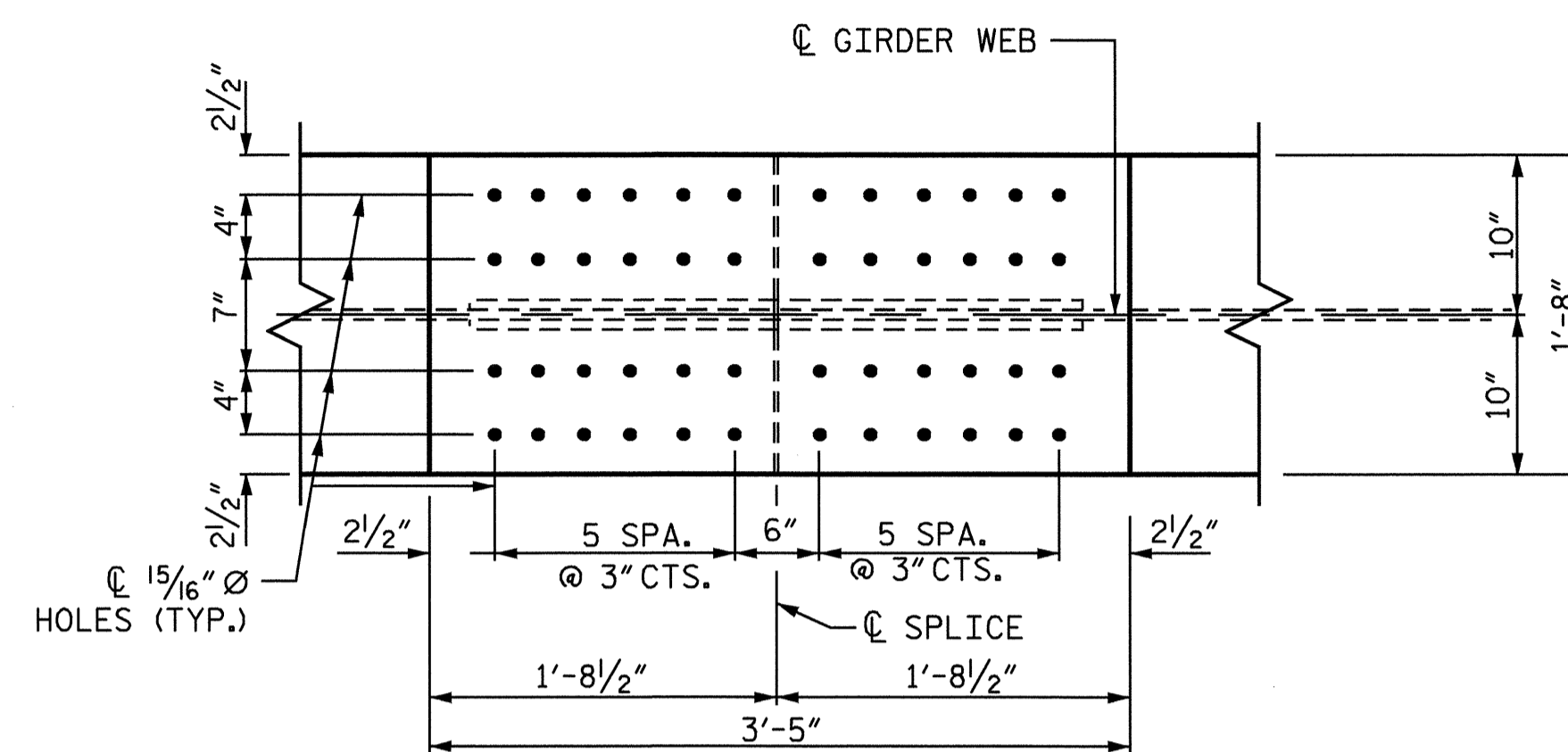
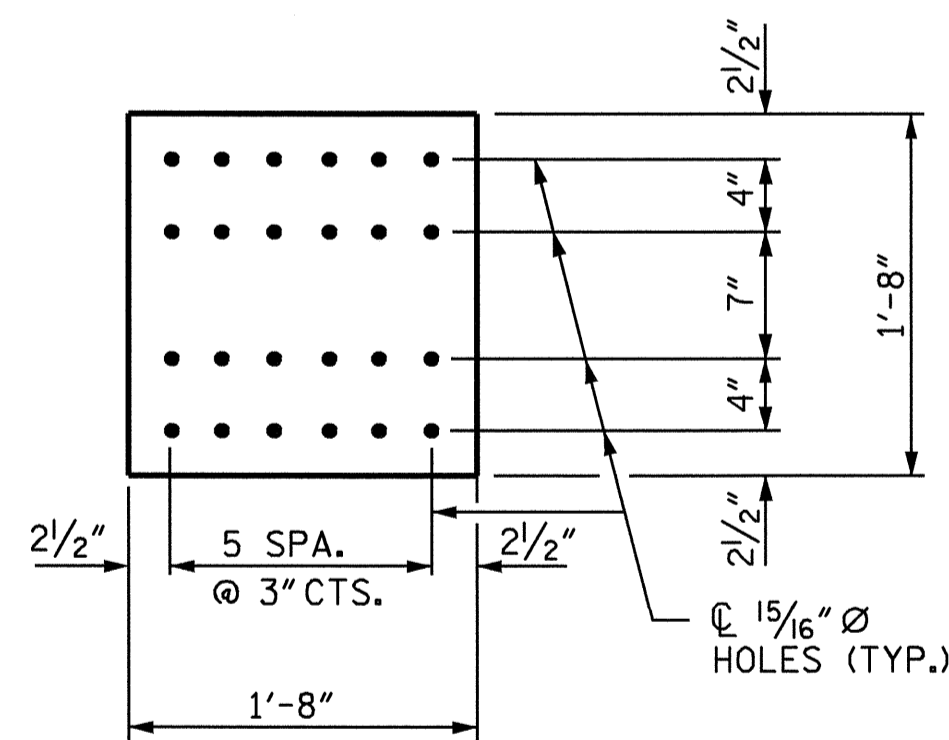


PLAN (BOTTOM OF TOP FLANGE)



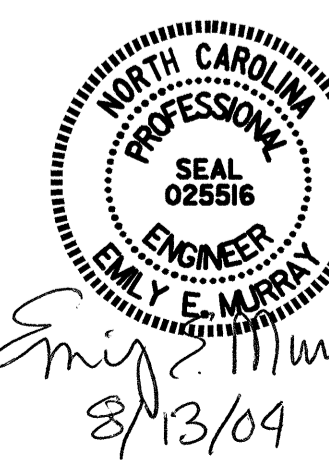
PLAN (BOTTOM OF BOTTOM FLANGE)



FILLER PLATE (BOTTOM FLANGE)

PROJECT NO. B-3157
DAVIDSON COUNTY
STATION: 29+25.37 -L-

SHEET 4 OF 4



STATE OF NORTH CAROLINA
DEPARTMENT OF TRANSPORTATION
RALEIGH
SUPERSTRUCTURE
STRUCTURAL STEEL
BOLTED FIELD SPLICE
DETAILS
RIGHT LANE

REVISIONS						SHEET NO.
NO.	BY:	DATE:	NO.	BY:	DATE:	S-41
1			3			TOTAL SHEETS 56
2			4			

DRAWN BY : PEGGY ADKINS DATE : 4-03
CHECKED BY : M. M. PARSONS DATE : 5-03