

LAYOUT FOR COMPUTING AREA
 OF REINFORCED CONCRETE DECK SLAB
 (SQ. FT. = 7310)

— SUPERSTRUCTURE REINFORCING STEEL LENGTHS ARE BASED ON THE FOLLOWING MINIMUM SPLICE LENGTHS —

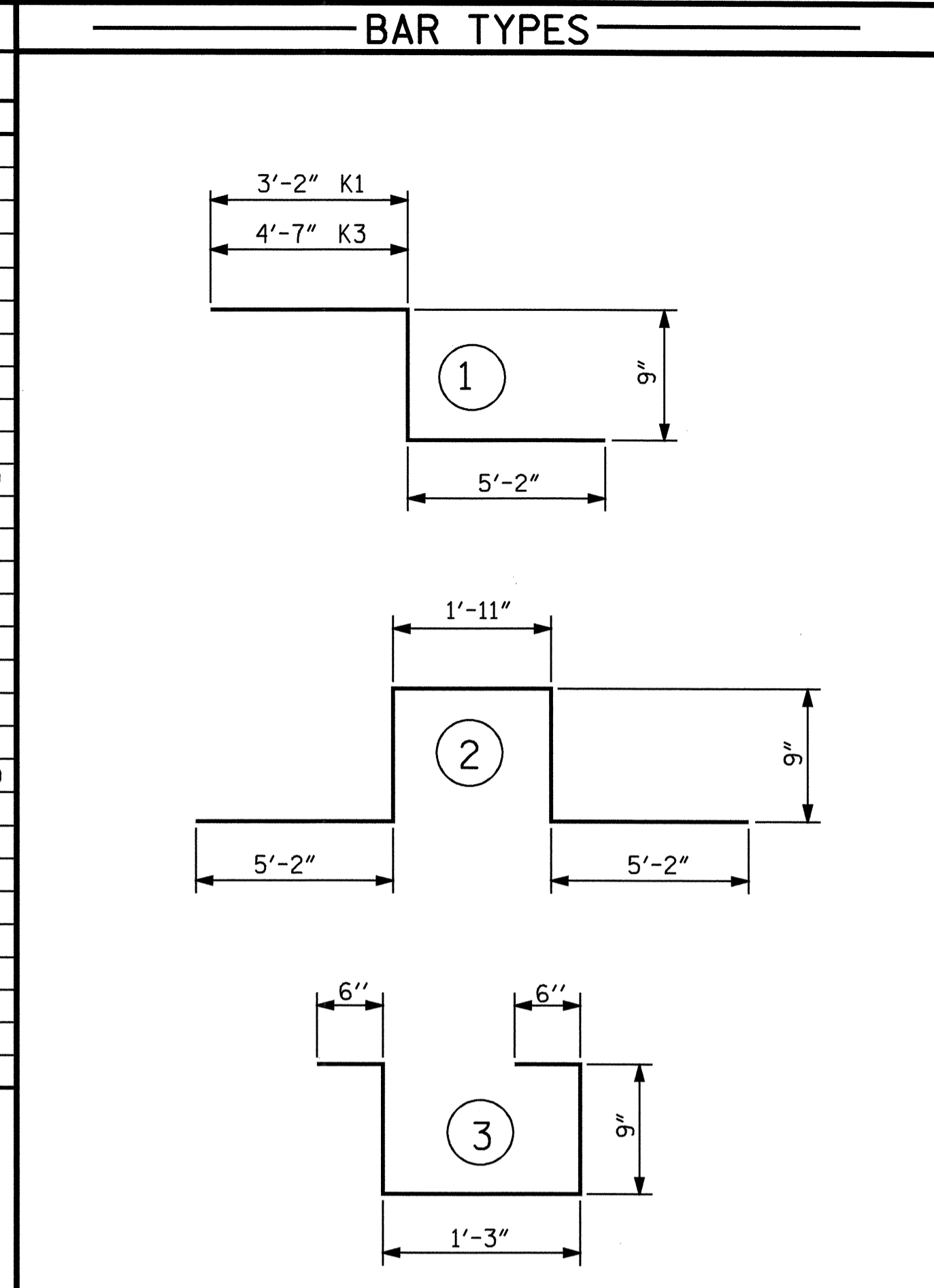
BAR SIZE	SUPERSTRUCTURE EXCEPT APPROACH SLABS, PARAPET, AND BARRIER RAIL		APPROACH SLABS		PARAPET AND BARRIER RAIL
	EPOXY COATED	UNCOATED	EPOXY COATED	UNCOATED	
#4	2'-0"	1'-9"	2'-0"	1'-9"	2'-9"
#5	2'-6"	2'-2"	2'-6"	2'-2"	3'-5"
#6	3'-0"	2'-7"	3'-10"	2'-7"	4'-4"
#7	5'-3"	3'-6"			
#8	6'-10"	4'-7"			

GROOVING BRIDGE FLOORS

APPROACH SLABS	2295	SQ.FT.
BRIDGE DECK	6439	SQ.FT.
TOTAL	8734	SQ.FT.

BILL OF MATERIAL

BAR	NO.	SIZE	TYPE	LENGTH	WEIGHT
*A1	252	#5	STR	53'-3"	13996
A2	252	#5	STR	53'-3"	13996
*B1	185	#4	STR	28'-9"	3553
B2	192	#5	STR	46'-8"	9345
*K1	4	#5	1	9'-1"	38
*K2	16	#5	2	13'-9"	229
*K3	4	#5	1	10'-6"	44
*S1	80	#4	3	3'-9"	200
REINFORCING STEEL					LB 23341
*EPOXY COATED REINFORCING STEEL					LB 18060



— SUPERSTRUCTURE BILL OF MATERIAL —

	CLASS AA CONCRETE (CU.YDS.)	REINFORCING STEEL (LBS.)	EPOXY COATED REINFORCING STEEL (LBS.)
POUR #1	236.5	23341	18060
TOTALS**	236.5	23341	18060

**QUANTITIES FOR BARRIER RAIL ARE NOT INCLUDED

PROJECT NO. B-3157
 DAVIDSON COUNTY
 STATION: 29+25.37 -L-

Professional Engineer Seal for Emily E. Murray, No. 025516, dated 6/29/04.

STATE OF NORTH CAROLINA
 DEPARTMENT OF TRANSPORTATION
 RALEIGH

STANDARD
 SUPERSTRUCTURE
 BILL OF MATERIAL

OCTOBER RIGHT LANE 1987

REVISIONS						SHEET NO.	
NO.	BY:	DATE:	NO.	BY:	DATE:	S-45	
1			3			TOTAL SHEETS 56	
2			4				

STR. #2 STD. NO. BOM1

ASSEMBLED BY : PEGGY ADKINS DATE : 4-03
 CHECKED BY : M. M. PARSONS DATE : 5-03
 DRAWN BY : JMB 5/87 REV. 6/1/94 EEM/GRP
 CHECKED BY : SJD 9/87 REV. 8/16/99 RWW/LES